



DRAINAGE & ACCESS COVERS

Engineered Access Covers & Drainage Gratings

Introduction		Loading Group D400 Covers and Frames	
Introduction to Gatic	3	Introduction	48
Quality and Sustainability	5	Single covers and frames	49
Design Considerations	6	Duct covers and frames	51
The Gatic Range of Access Covers	7	Continuous trench covers and frames	53
Product Features and Benefits	9	Multispan covers and frames	55
		Solid Top Circular Covers	57
		Gatic PAVE	58
Specialist and Bespoke		Loading Group C250 Covers and Frames	
Bespoke Products & Solutions	13	Introduction	63
<u>Specialist Additions</u>	15	Single covers and frames	64
		Duct covers and frames	66
Gratings		Continuous trench covers and frames	68
<u>Single Gratings and Frames</u>	17	Multispan covers and frames	70
<u>Continuous Gratings and Frames</u>	18		
		Loading Group B125 Covers and Frames	
Loading Group F900 Covers and Frames		Introduction	73
Introduction	20	Single covers and frames	74
Single covers and frames	21	Duct covers and frames	76
Duct covers and frames	23	Continuous trench covers and frames	78
Continuous trench covers and frames	25	Multispan covers and frames	80
Multispan covers and frames	27		
Assist Lift	29	Additional Access Covers and gratings	82
LFA	33	Installation	82
Solid Top Circular Covers	34	Lifting Keys	82
Hinged Hydrant Covers	35		
Loading Group E600 Covers and Frames			
Introduction	37		
Single covers and frames	38		
Duct covers and frames	40		
Continuous trench covers and frames	42		
Multispan covers and frames	44		
Solid Top Circular Covers	34		

Recommended Viewing Settings

For optimum viewing please use Adobe Acrobat. This PDF contains clickable links and bookmarks to allow you to access the information faster. Some of these features may not work in other PDF readers.

Find out more on Page 6.

A challenge in the twenties. Still challenging today.

Gatic's involvement with gas air-tight inspection covers spans nearly 100 years

In fact, one of the earliest covers produced by the company (then known as Dover Engineering) is still in service at a Shell garage in Malta, where it was first installed in 1928.



With a history of installations dating back to 1928, Gatic is without doubt the fully proven International Standard for engineered access covers and drainage gratings.

Original 1928 cover still in use

When we were asked to design our first gas and air tight cover for Shell, back in the 1920s, it was to a demanding specification. Our success in meeting this specification can be judged by the fact that one of the first covers supplied can still be seen in use at a Shell garage in Malta where it was originally installed.

Continuous development and refinement

Since that first success we have continued to improve and adapt our range of products to suit the ever increasing and diverse demands of travel, industry and commerce, developing ductile iron, machined access covers in a range of surface finishes and load ratings to cope with the harshest and most punishing of environments.

Future challenges

Despite this huge variety, technology never stands still for long and we are never allowed to rest on our laurels. These days more and more traffic is using our roads, carrying heavier loads at higher speeds. Huge numbers of containers pass through our ports daily and ever bigger and heavier aircraft are rolling down the taxiways and across the aprons of the airports we serve.

The challenges may be daunting but we are confident that we will continue to rise to the occasion and supply products to meet or exceed our customers demands.

GATIC

GAS AIR TIGHT INSPECTION COVERS

Gatic is part of the AWMS family



Alumasc (AWMS) is a UK-based supplier of premium building products. The majority of the group's business is focussed on sustainable building products that enable customers to manage energy and water use in the built environment.

They include: **Skyline** Architectural Aluminium; **Alumasc Rainwater** Gutters & Downpipes; **Harmer** Building Drainage; **Wade** Building Drainage and **Gatic Drainage & Engineered Access Covers**.



Designed for the most demanding environments

At Gatic, we know that our reputation is only as good as the performance of our products. So we do our very best to ensure that the product you buy is the right product for the job and that it is installed correctly in order to be able to do its job successfully. That is why we make a point of supplying all the help and technical support that we can.

Manufacturing standards

It all starts with the manufacturing process. All the basic components for Gatic covers are cast to exacting specifications, developed over time.

The composition of the ductile iron is Quality controlled to ensure the product's robustness is achieved against the load rating requirements.

This is because our products will eventually be machined to tight specifications in order to achieve the gas, air-tight and non-rocking fit upon which our reputation is built.

Gatic covers are produced in a wide range of strength ratings to suit any real-life application. When correctly installed, they can be expected to continue to perform as intended for the lifetime of the project, with minimal servicing. Our covers are designed to work effectively in the harshest environments.

Details of the range of load factors to match your requirements can be found on pages 10-11 of this publication. Selecting the appropriate product for your intended application means that you will achieve the service life and performance you need without over specifying, thus ensuring that you get the product you need with the most beneficial ratio of strength to cost. We can help you with this selection process and regard it as a very important part of our service.

Professional advice on your project

Our design engineers are available to discuss the technical aspects of any project involving Gatic covers, whether large or small. The application of a little expert knowledge often means that what appear to be intractable problems can be overcome with relative ease.

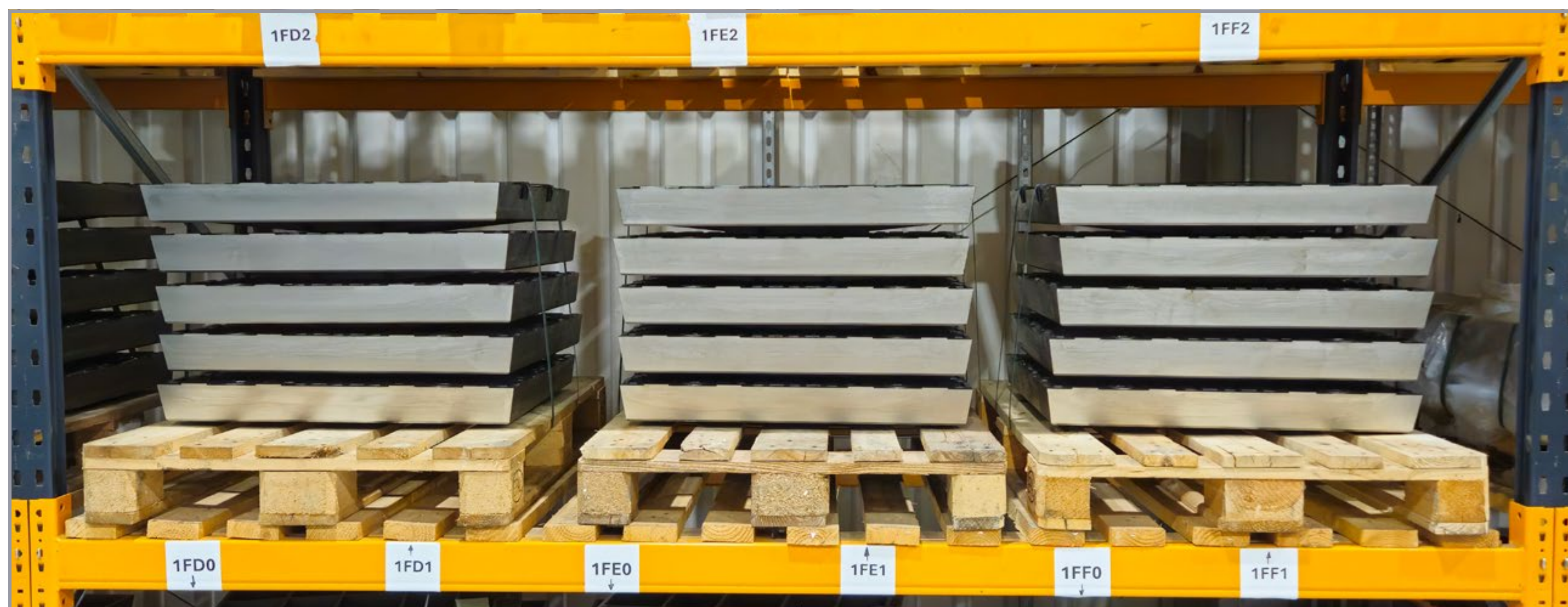
You can tap into this expertise either through our website www.gatic.com or by calling Tel: +44 (0)1787 475 151.

You will find most of the information you need to narrow down the choice of covers for your particular project within the pages of this publication. To see in detail how Gatic covers are constructed and fitted on site, we suggest you go to the website, where much more information is available.

Expert advice and assistance

If your project throws up some particularly challenging problem which needs an in-depth understanding, please don't hesitate to get in touch since, in all probability, we have encountered a similar challenge before and, even if this is not the case, our 90-plus years of experience in dealing with these issues are sure to help you reach a satisfactory resolution.

Once these choices have been made you can relax, safe in the knowledge that your covers will be delivered to site in a timely manner.



In addition to compliance with environmental legislation, Alumasc is committed to developing its own measures to limit the adverse effects of its activities on the environment. To this end, Alumasc operates an environmental policy that fully integrates all aspects of company activities.



Green Economy

The Alumasc Group plc is pleased to be recognised by London Stock Exchange as contributing to the global green economy. The Mark is given to companies and funds that derive more than 50% of revenues from environmental solutions.

The Alumasc Group plc provides high-quality, low carbon, sustainable building products, systems and solutions, which help manage the scarce resources of energy and water in the built environment, and improve quality of life for the owner/occupier.

QUALITY



ASSURANCE

Approved to BS EN ISO 9001 Certificate No. FM 593418

BSI ISO 9001:2015

This certification provides a structured framework for quality management systems (QMS), enabling us to enhance their overall efficiency and effectiveness. The standard also promotes a customer-centric approach, emphasising the importance of meeting customer requirements and delivering consistent, high-quality products and services.

ENVIRONMENTAL



ASSURANCE

Approved to ISO 14001 Certificate No. EMS 593419

Quality Assurance

The Gatic Quality Management System has been approved to BS EN ISO 9001
The Gatic Environmental Management System has been approved to ISO 14001



Sustainability

Alumasc actively pursues sustainability in its full range of products, and, with its partners and suppliers, is committed to putting consideration for the built and wider environment at the core of all aspects of current business and future development.



NBS Source

For over 50 years, NBS has helped architects produce their specifications and connect them with manufacturers. NBS Source helps specifiers select products confidently and efficiently.

A few FAQ's that are worth considering as you look over the brochure. Typically these considerations guide you to selecting the most suitable cover for the project.

Gatic covers are designed both to protect and give easy access to a diverse range of underground services, examples include:

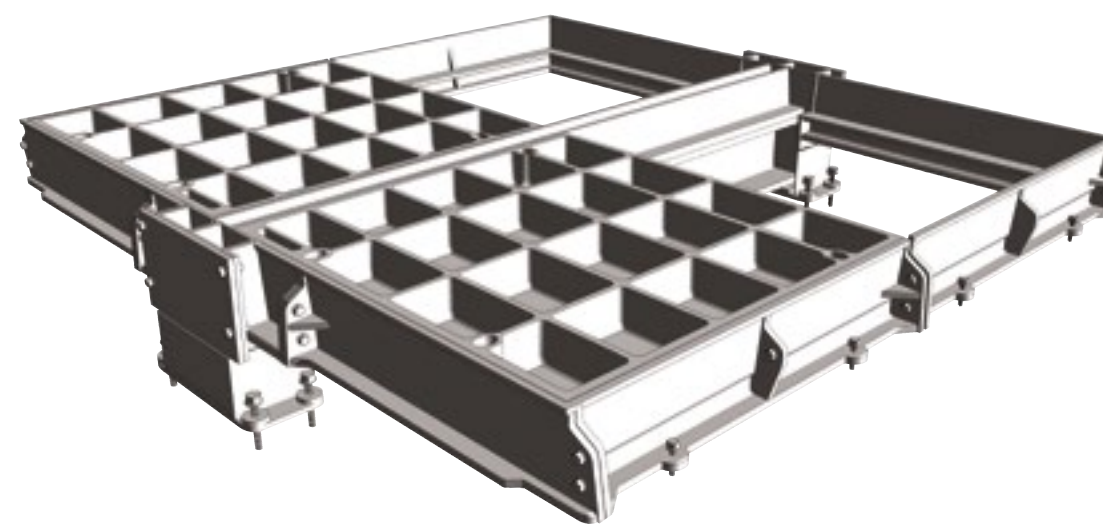
- Manhole/Pump/Valve/Transformer Chambers
- Pipe and Cable Service Trenches
- Cable Draw Pits
- Lighting Pits
- Fuel and Fire Hydrant Pits
- Machinery/Plant Access Chambers
- Combined Sewer/Overflow Chambers

Typical applications can be found in a diverse range of projects including:

- Airports
- Ports/Docks
- Utilities - Gas/Electricity
- Water - Sewerage Treatment Works/ Water Treatment Works/Pumping Stations
- Power Stations/Sub-Stations
- Commercial and Industrial Applications
- Data Centres
- Tunnels

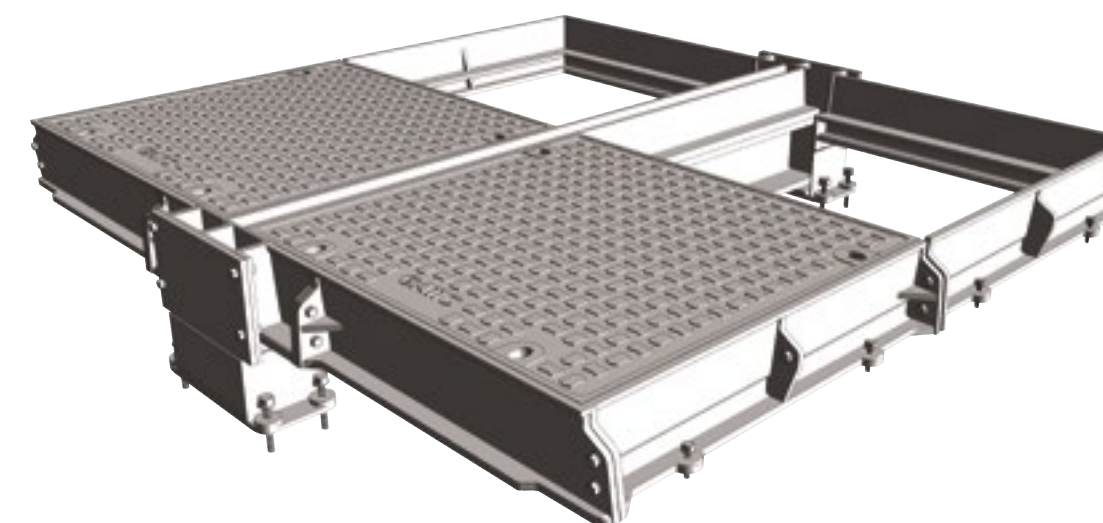
Cover options

Gatic covers are available in a choice of designs to suit different conditions and requirements for appearance.



Recessed for concrete infill

Covers are designed with an arrangement of cross-ribs for infilling with concrete. This provides a very strong and hard wearing surface with an attractive appearance.



Solid top anti-slip surface

High performance covers that are lighter in weight than those incorporating concrete infill. Solid top covers incorporate a non-slip lozenge pattern on the surface.

NOTE: Covers are also available for Pavior infill.

Using this brochure

Gatic covers have been created to suit the widest range of applications and to meet different loading requirements, from relatively light loads (eg, pedestrian areas and residential roads) to the most heavy (eg, airports, dockyards, etc).

BS EN 124: classifies covers according to their place of installation as shown below. Where there is any doubt, the stronger class should be selected.

Did you know?

Our products are manufactured from 100 per cent ductile iron, giving high elasticity, which means Gatic covers and frames are highly resistant to physical forces and shock.

Gatic covers comprise ductile iron and structural steel components, all of which are recyclable.

Loading description	BS EN 124	
	Class	Test Load
Areas imposing particularly high wheel loads	F900	900kN
Areas imposing high wheel loads	E600	600kN
Carriageways of roads (heavy duty)	D400	400kN
Gully tops in kerbside channels of roads	C250	250kN
Footways, pedestrian areas, etc	B125	125kN

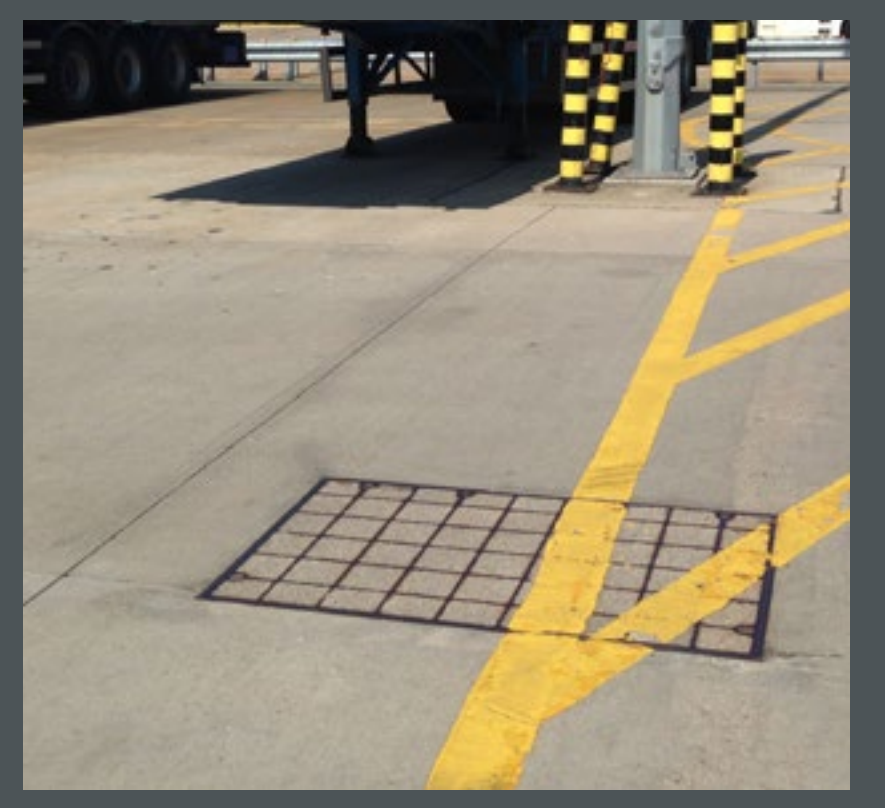
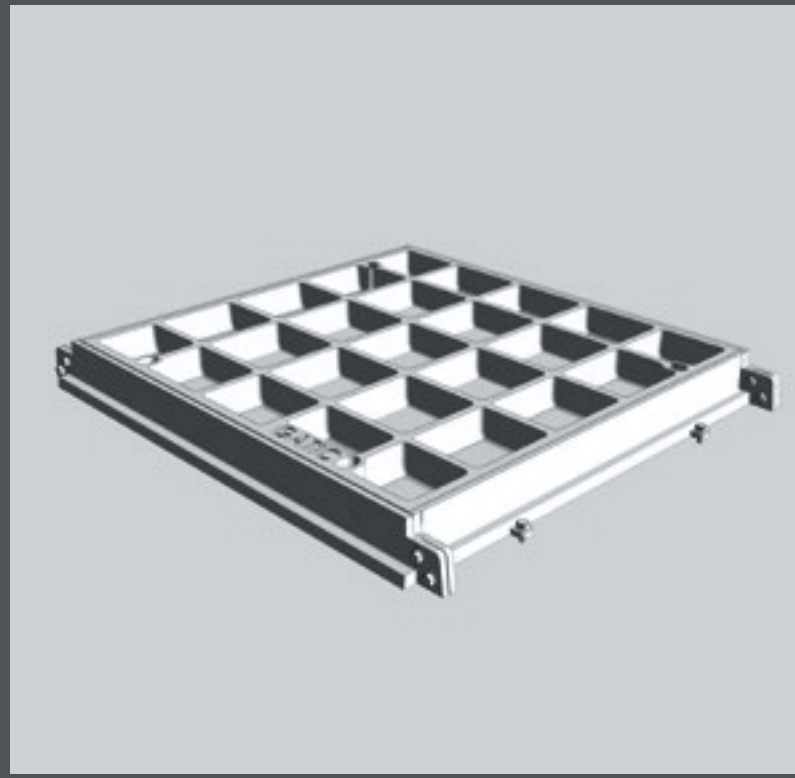
Data from BS EN 124: (Gully tops and manhole tops for vehicular and pedestrian areas. Design requirements, type testing, marking, quality control)

The covers in our brochure are organised according to the BS EN 124 classifications. Please refer to the Loading Group Selector Guide on pages 10-11.

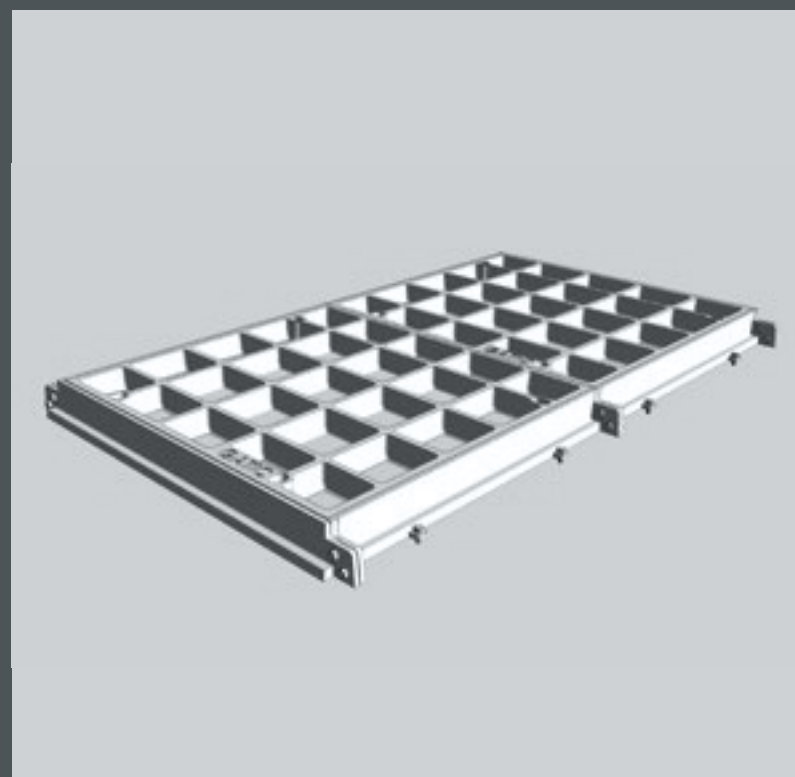
Introduction - Range Summary

Gatic offers five main load classes and within each, offers the following cover types.

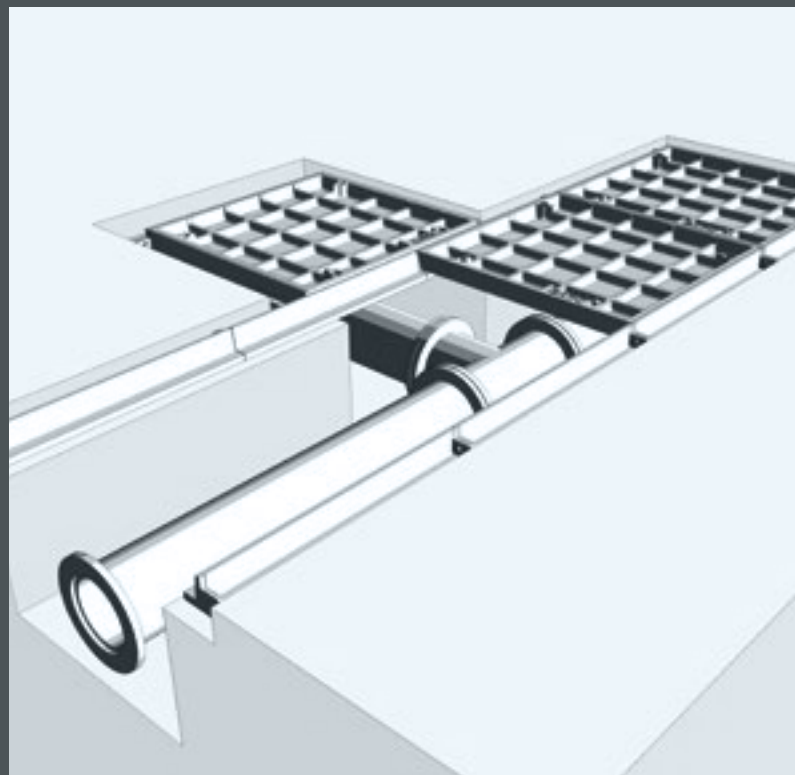
Single Covers and Frames



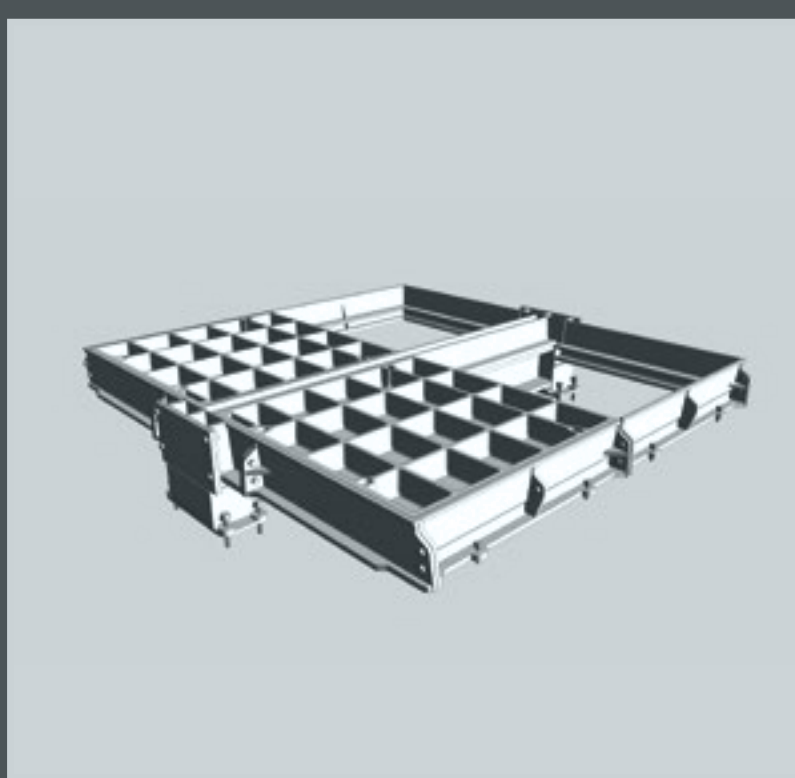
Duct Covers and Frames



Continuous Trench Covers and Frames



Multispan Covers and Frames



Gratings and Frames



Intro

Specialist &
Bespoke

Gratings

F900

E600

D400

C250

B125

Spec

Loading group selector guide

The Gatic range of loading groups is organised according to BS EN 124: (Gully tops and manhole tops for vehicular and pedestrian areas. Design requirements, type testing, marking, quality control).

Compliance of the product with the respective part of EN 124 series does not replace the responsibility of the user to ensure that the gully top or the manhole top is correctly installed and its elements (frame and grating/cover) have the necessary performance values.

Loading Group 6 F900

35 tonne slow moving wheel load - test load 900kN Areas imposing particularly high wheel loads:

- Airfield pavements
- Taxiways
- Civil airports
- Dockyards
- Other areas where single slow moving wheel loads up to 35 tonne may be encountered



Loading Group 5 E600

20 tonne slow moving wheel load - test load 600kN

- Some airfield pavements
- Dockyards
- Other areas where single slow moving wheel loads up to 20 tonne may be encountered



Loading Group 4 D400

11.5 tonne wheel load - test load 400kN

- Power stations
- Carriageways
- Hard shoulders
- Parking areas for all vehicle types
- For high density traffic conditions we recommend the use of a vibration resistant locking system



Loading Group 3 C250

5 tonne wheel load - test load 250kN

- Kerbside installation
- Pedestrian precincts
- Yard



Loading Group 2 B125

3 tonne wheel load - test load 125kN

- Footways
- Pedestrians areas
- Car parks
- Driveways
- Internal floors



Cover types

Covers are recessed for concrete infill pavements or solid top according to specifier preference. Assist lift options for both recessed and solid top cover types are available.

Concrete infill recessed covers

Cover and rebate to be filled with concrete with a minimum compressive strength of C35/45 during installation, using a 10 mm coarse aggregate.

Anti-slip surface covers

Concrete infill covers provide a non-slip surface similar to the surrounding areas. Solid top covers incorporate a lozenge pattern on the surface.

Materials

The components of Gatic covers are manufactured from the following materials:

Ductile iron components to BS EN 1563

Structural steel sections (removable beams) to BS EN 10365.

Fine tolerances

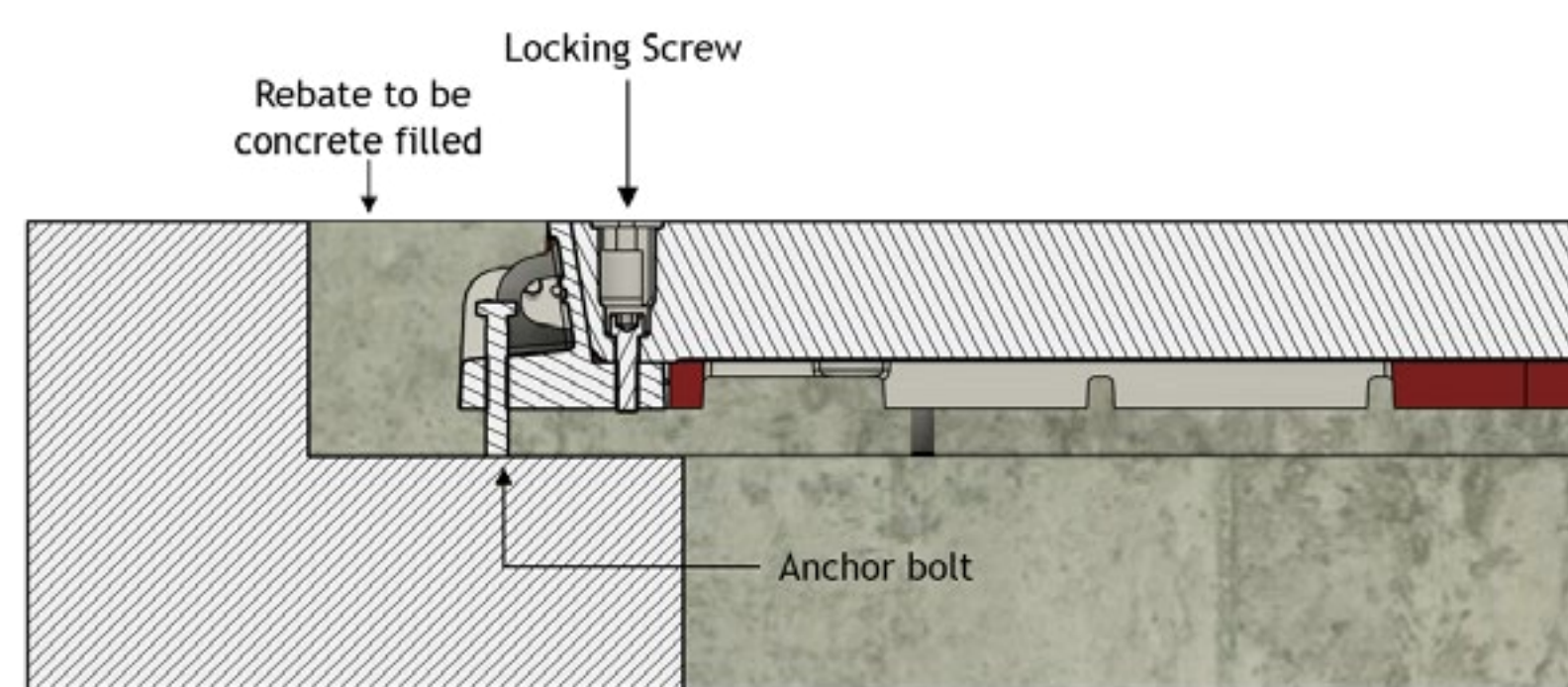
The seating faces of Gatic covers and frames are machined to ensure metal-to-metal contact within 0.25mm tolerance.

Non-rocking

Correctly installed, Gatic covers will be non-rocking and sealed against ingress of road dirt and other detritus.

Gas, Air & Watertight

A film of graphite grease between the contact faces of Gatic units provides a gas and air & water tight seal, and a watertight joint under normal rainwater conditions.



Watertightness under pressure

Pressure-tight

Standard single units with locking screws and holding-down bolts are available to withstand upward pressure. Consult our technical department for details.

Easy removal/replacement

The machined underside seating face of Gatic covers allows the sliding out of covers for easy removal or replacement.

Operator control

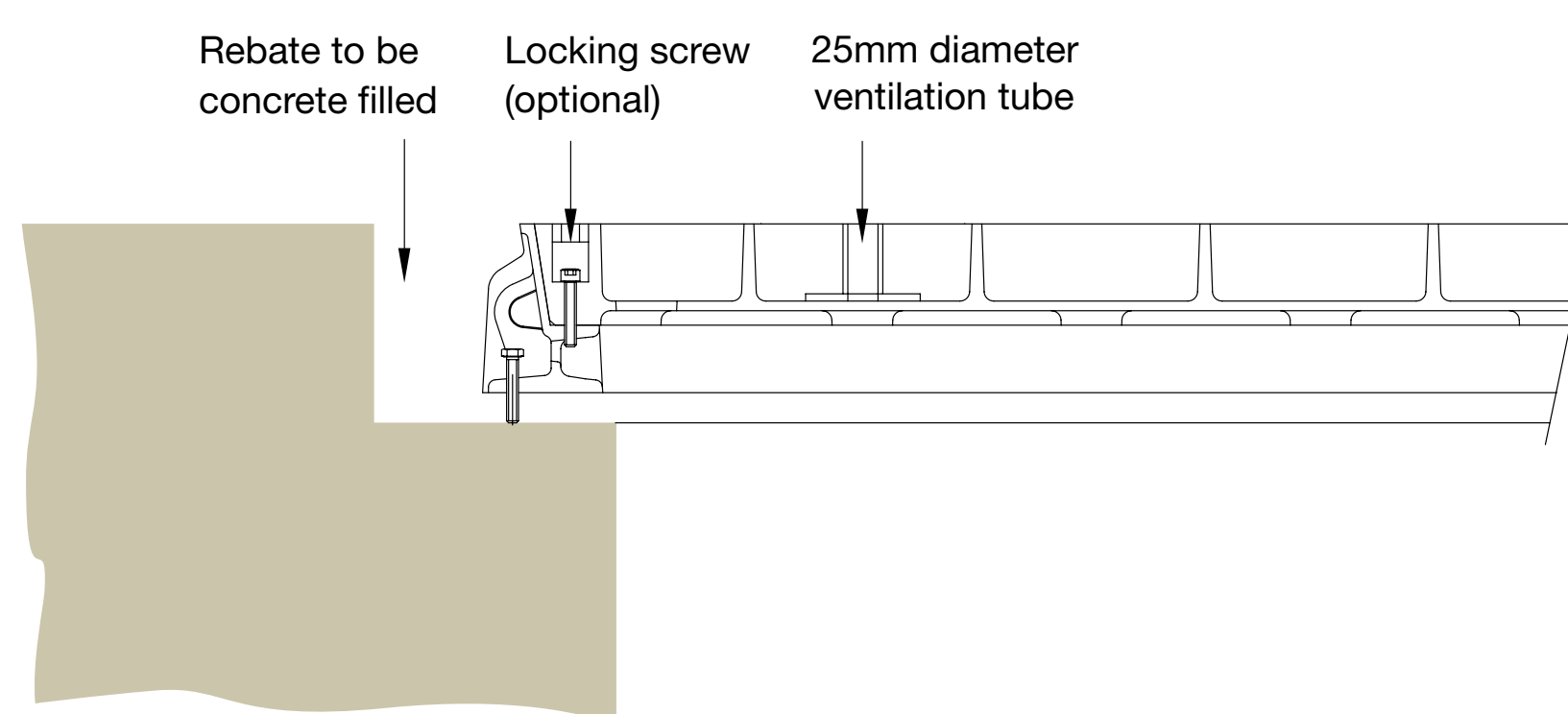
Jack screw operating keys locate positively and securely into Gatic covers and are a necessary tool if the inherent cover seal is to be broken effectively and to allow operator maximum control during operation.

Secure and vandal resistant

Covers are designed to prevent tampering and unauthorised removal. Gatic covers cannot be removed without the correct lifting key, so unauthorised removal is virtually impossible. Locking bolts can be fitted to Gatic cover as an additional security feature.

Ventilation

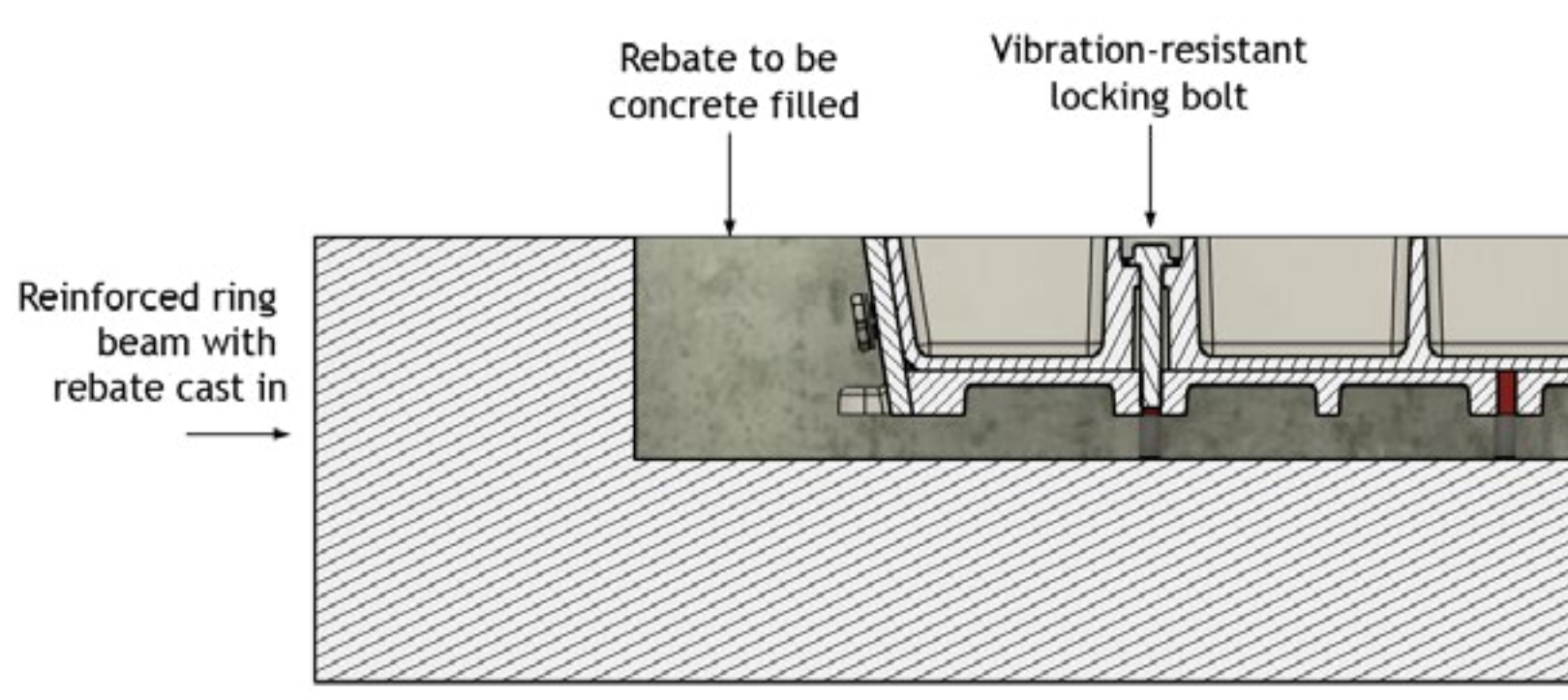
Ventilation can be provided with four 25mm diameter ventilation tubes in recessed covers.



Locking/ventilated

Vibration resistant

For covers in high density traffic conditions, we recommend the use of a factory-fitted vibration-resistant locking system to the recessed covers.



Vibration-resistant

Note:

- We do not recommend the use of solid top covers in high density traffic locations.

Closed keyways

Gatic cover keyways are closed and fitted with plastic plugs to prevent them from blocking up.

Loadings

All Gatic covers will withstand test load and maximum permanent set criteria specified in BS EN 124 for each loading category. Covers are load tested in their as service condition.

Rigidity

The robust and rigid design of Gatic's frames, closely toleranced covers and frames creates a rigid composite structure.

Secure support

The clear opening width between supporting frames are at least 10mm greater than the pit/chamber design to allow for minor deviations in pit construction dimensions.

Beam wallbox

Supporting beams in Gatic Multispan units are easily removed with appropriate lifting equipment for access to the total chamber area. Beam wallboxes do not project into the chamber opening.

Finishes

Units are painted with a matt black paint that acts as a temporary protection during transit. Removable supporting steelwork is galvanised to BS EN ISO 1461. For special applications, cover & frame components can be galvanised to BS-EN ISO 1461.

Installation

Consignments of Gatic units are accompanied by comprehensive installation instructions.

Levelling bolts

All frame bars and wallboxes are fitted with bolts to assist in the levelling of the unit during installation.

Security grids

Hinged lift-out galvanised steel security grids (with padlock facility if required) can be incorporated into Gatic units.

Environmental commitment

Responsibility towards the environment is our primary concern. Our customers often now demand products that are made from recycled and recyclable materials, supplied by companies with robust environmental policies to reduce the environmental impact of their projects for future generations.

To meet these requirements we have an integrated Quality (BS EN ISO 9001) and Environmental (BS EN ISO 14001) Management System which encompasses the design, manufacture and management systems within the company and ensures our commitment to continuous environmental improvements regarding the manufacture and design of all our products in the following ways:

- Minimise environmental impact
- Commit organisational resources to energy management
- Reduce energy costs
- Give high priority to energy efficient investments
- Consider life cycle energy costs for all new projects
- Minimise CO2 emissions year on year
- Use energy from sustainable resources wherever possible

To achieve these goals we have put in place the necessary systems and controls to meet demanding environmental targets and to make sure that these are maintained for the future benefit of the environment and our customers alike.

Gatic services

Gatic offers a full support service to specifiers and contractors, including Computer Aided Design. AutoCAD compatible details of all Gatic products are available. Please consult our technical department for assistance.

In view of our commitment to product improvement, we reserve the right to alter designs without notice. Design changes will not adversely affect the performance or loading capability of our products.



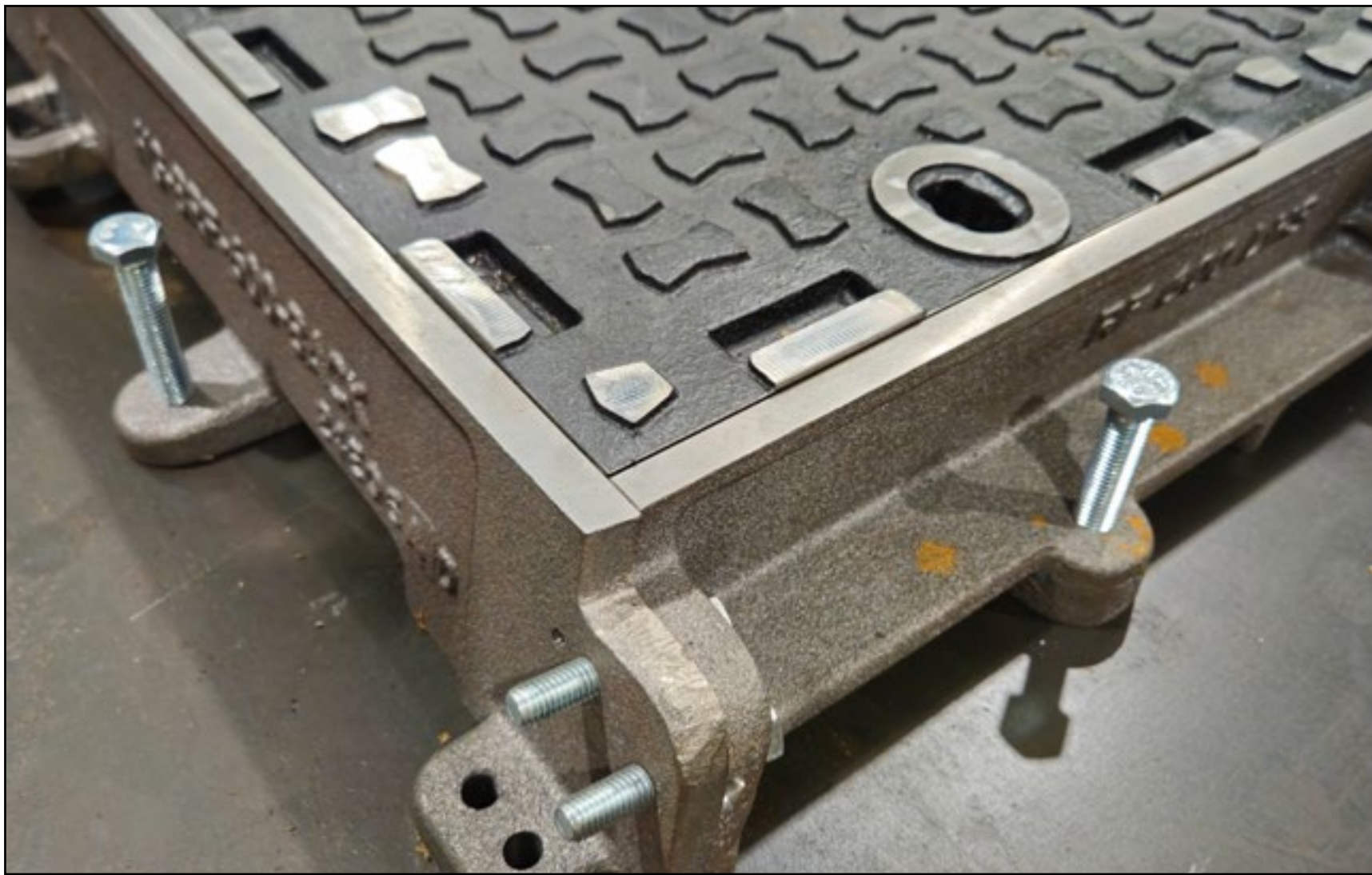
Specialist & Bespoke

Customise standard covers, design something totally different. We can offer a wide range of bespoke options to suit your projects needs.



Your project, our products

Since 1928 Gatic has been providing high quality covers to suit all requirements. We are able to offer a range of bespoke products that include: Hinged security grids, Alternative finish galvanised covers, Hinged hydrant covers, Solid top circular covers, Single gratings and frames, Trench gratings and frames, Plug covers & Bespoke branding and RFID Tags.



Bespoke branding

Your brand. Your business. Your access covers.

Please speak with your local Gatic Area Sales manager or Gatic technical if your project requires bespoke branding.

RFID / ID Tags

An embedded RFID Tag in Gatic Access Covers allows for the client to improve their asset management and maintenance regimes. By quickly scanning a cover you can identify the asset number and review and record data against a linked database including asset types, location, maintenance and health and safety requirements.

Keeping track of your assets is important for financial tracking, and maintenance schedules.

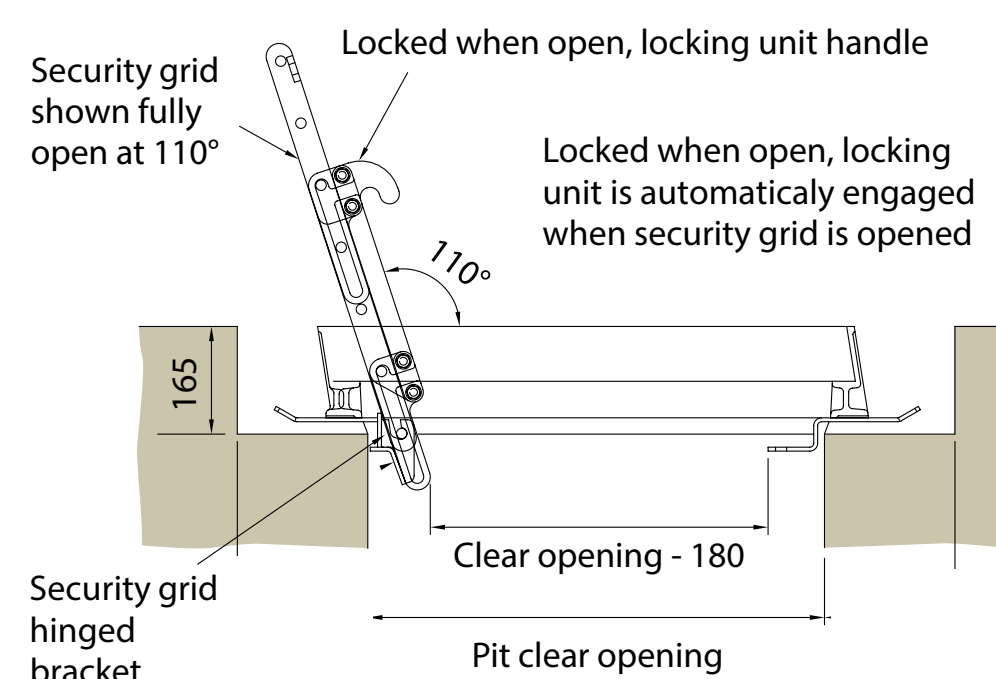
Please speak with your local Gatic Area Sales manager or speak with Gatic technical if your project requires RFID/ID Tags



Hinged security grids

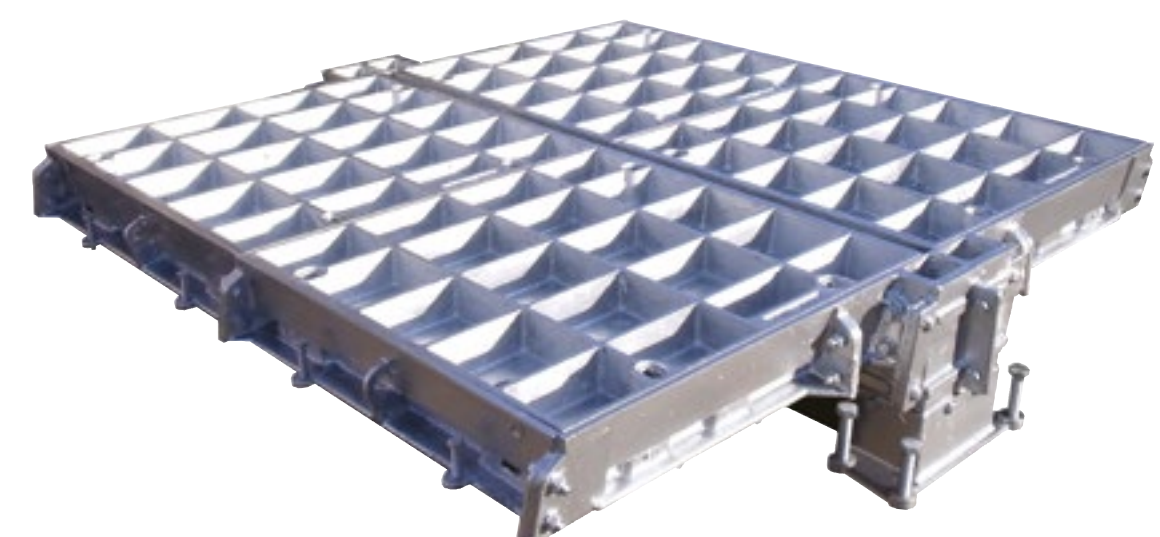
Gatic covers can be supplied with mild steel galvanised security grids when required. Once the cover is removed, the security grid can be hinged to the vertical position where it will lock safely in place. Security grids can be locked in a closed position by using customer-supplied padlocks.

Hinged security grills can be fitted to all gatic units from single covers to multispan.



Alternative finish galvanised covers and gratings

Gatic covers and gratings are supplied painted with black paint as standard. This acts as temporary protection during transit. Where additional protection is required, Gatic ductile iron covers can be supplied galvanised to BS EN ISO 1461. Refer to Gatic technical department for more information.

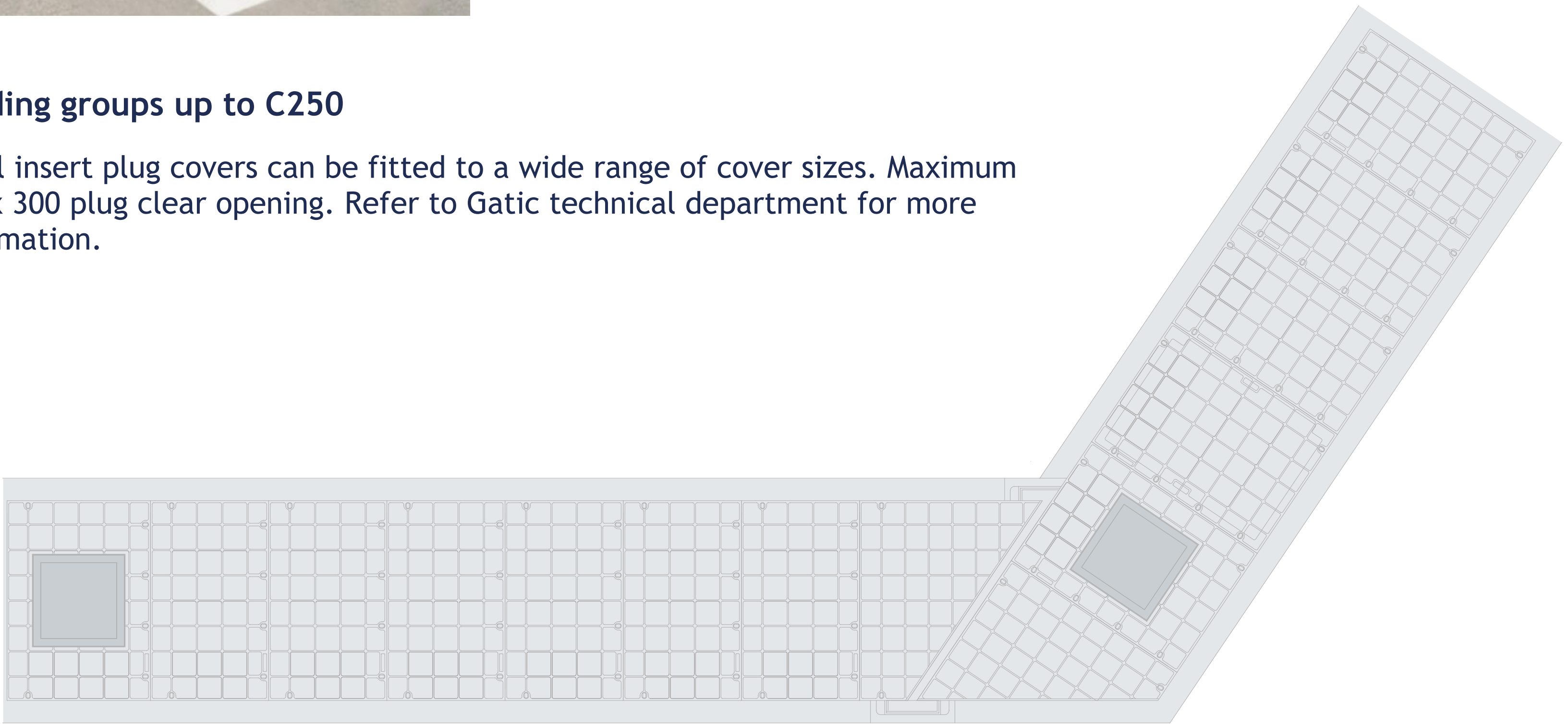


Plug Covers

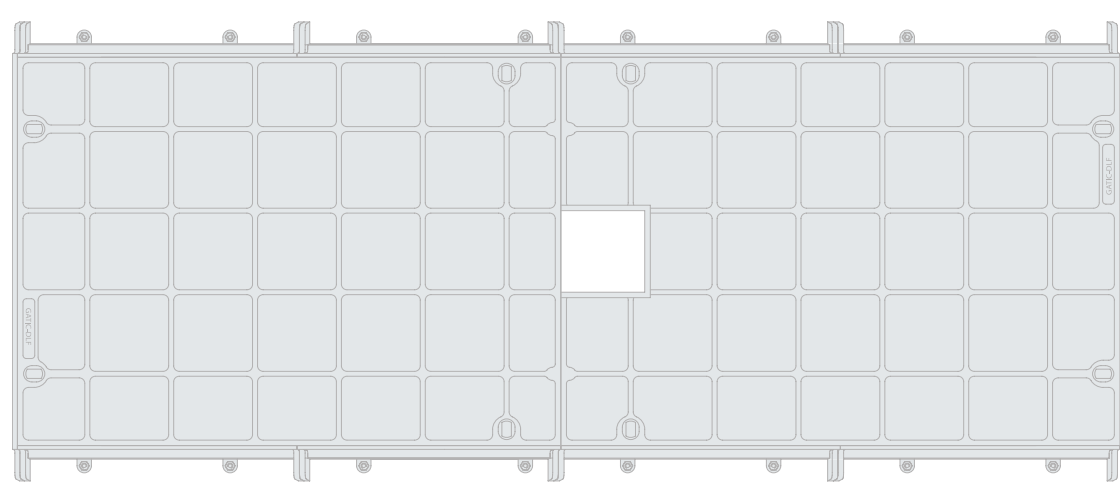


Loading groups up to C250

Small insert plug covers can be fitted to a wide range of cover sizes. Maximum 300 x 300 plug clear opening. Refer to Gatic technical department for more information.



Holes and cut-outs

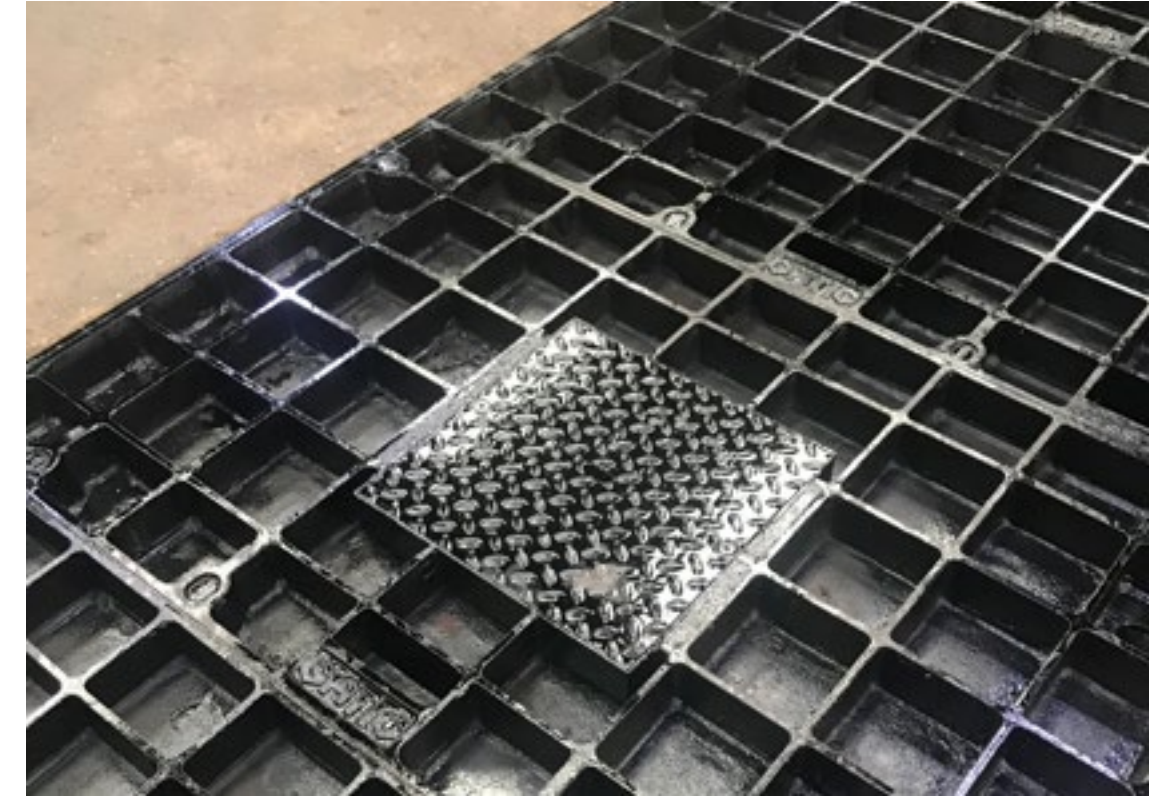


Holes and cut-outs can be provided in covers to allow for the positioning of valves, pipes and cables. These can be square or circular, loading suitable for C250.

Upstands can be fitted to prevent the ingress of water around pipes and valves.

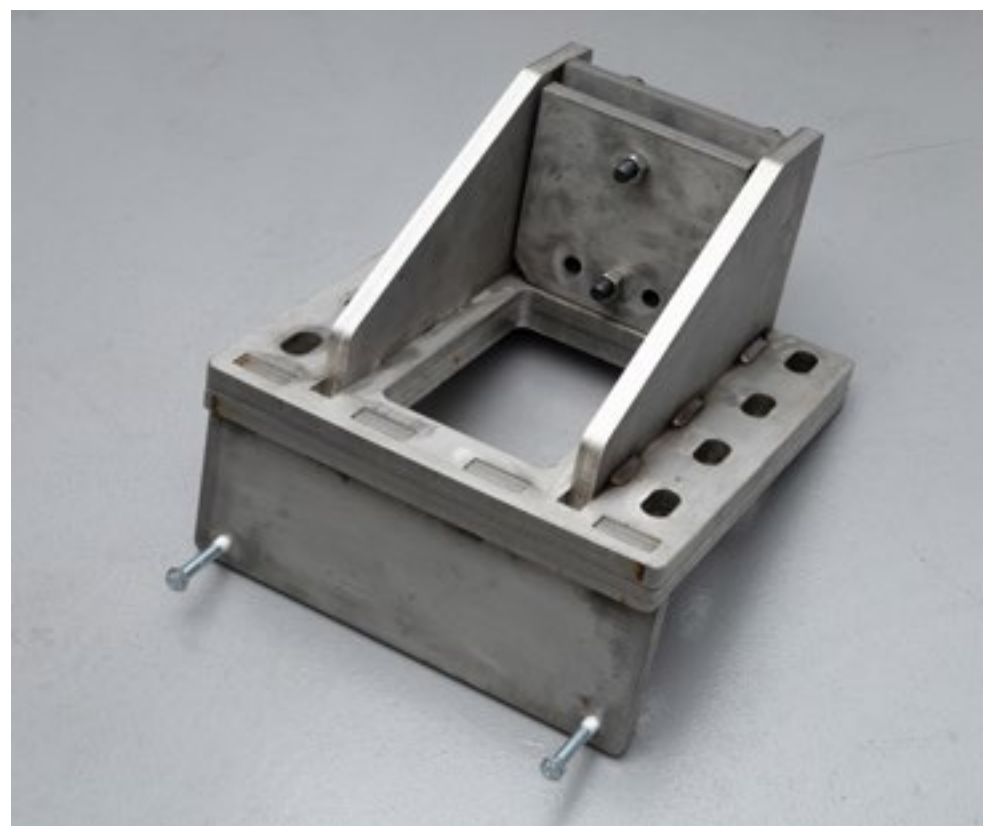
Special Covers

Gatic has the flexibility to adapt our products to special applications e.g. non-standard length covers can be supplied if there are restrictions in the trench dimensions, covers and frames can be manufactured to suit a radius. If individual access is required to a valve beneath a cover, then, depending on the size and loading, a plug cover may be incorporated into the main cover.



Over Hanging WallBox

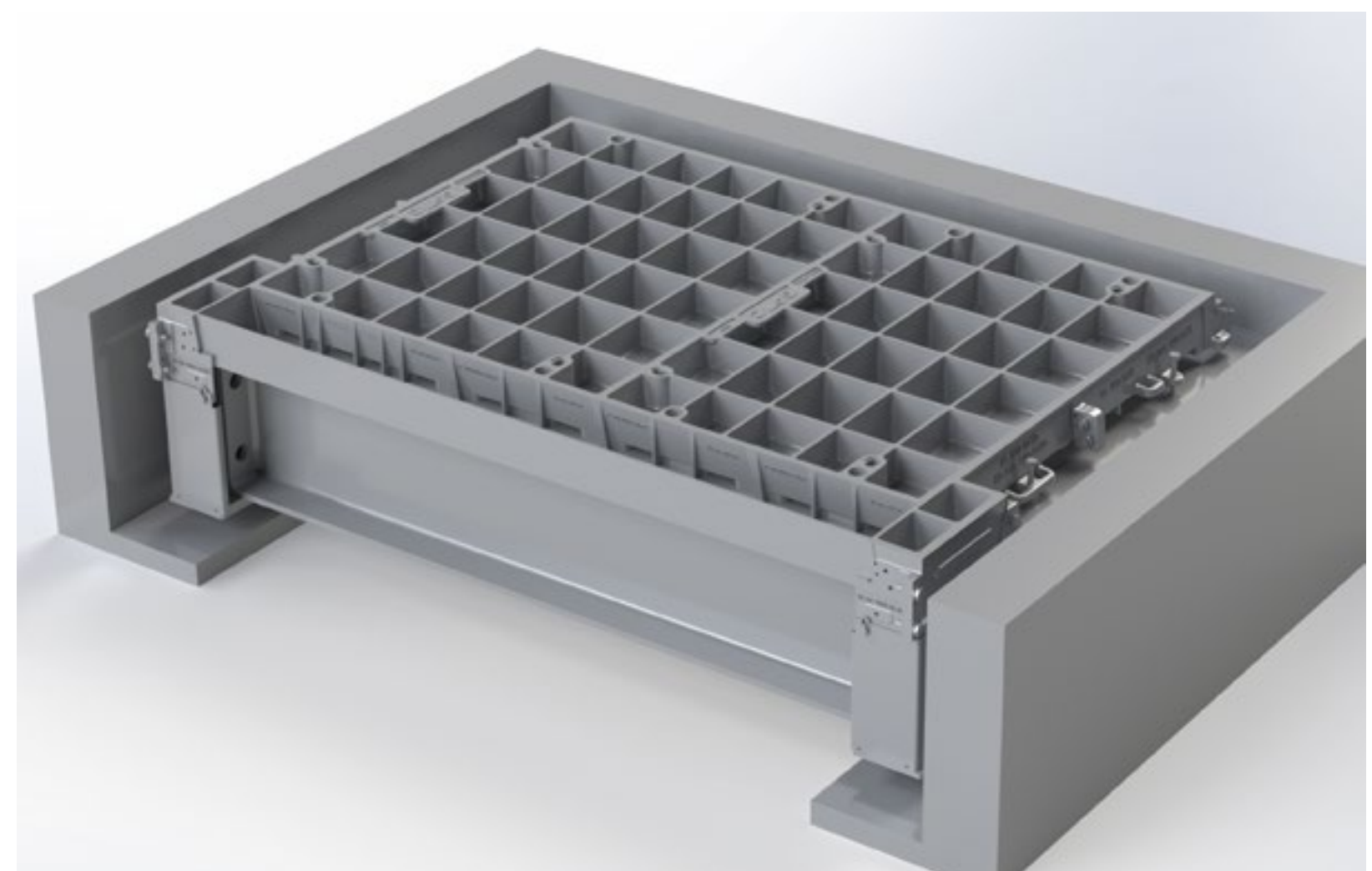
Where a rebate is not available in the concrete surround to accommodate a standard beam housing box, an overhanging system is available that hangs from the concrete wall and is bolted to the face of the pit.



Underside of the Access Cover

Kerb Beams

Where a concrete rebate is not available for the side frames to support a multi-part unit, a removable kerb beam arrangement is available to provide support to the covers and frames.



Junctions

Where trenches change direction and uninterrupted coverage is required, right angle, tee and special angle junctions can be incorporated into the cover layout. Depending on the span of the trench and the loading, a removable support beam may be included.



Gratings

Areas of exceptionally high wheel loads, aircraft hard-standings, taxiways at civil airports, container ports and dockyards, designed for concrete infill



Single Gratings and Frames



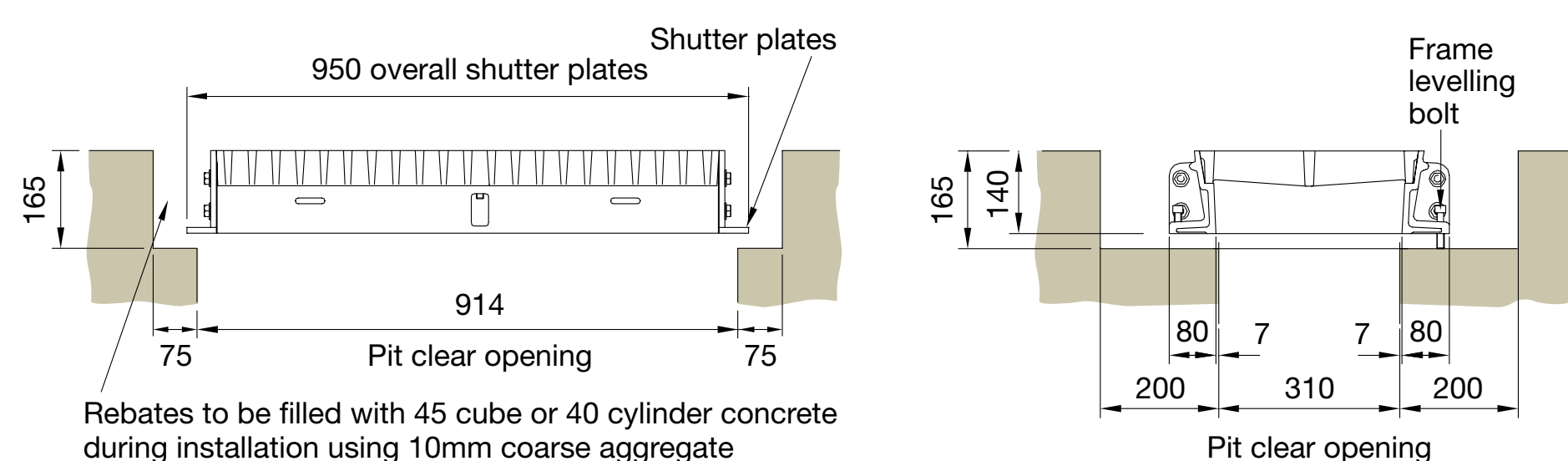
Single gratings

Pit clear opening sizes	Grating type	Load rating	Overall frame size length x width x depth	Suggested rebate size length x width x depth	Waterway per unit
850 x 300	DRG/140	F900	870 x 480 x 140	1000 x 700 x 165	1256cm ²
850 x 450	DRG/140	F900	870 x 630 x 140	1000 x 850 x 165	2215cm ²
600 x 600	DRG/100	F900	620 x 780 x 100	750 x 800 x 125	1991cm ²
850 x 600	DRG	F900	870 x 780 x 140	1000 x 1000 x 165	2768cm ²
1000 x 1000	DRG/100	D400	1023 x 1176 x 100	1400 x 1050 x 125	5544cm ²

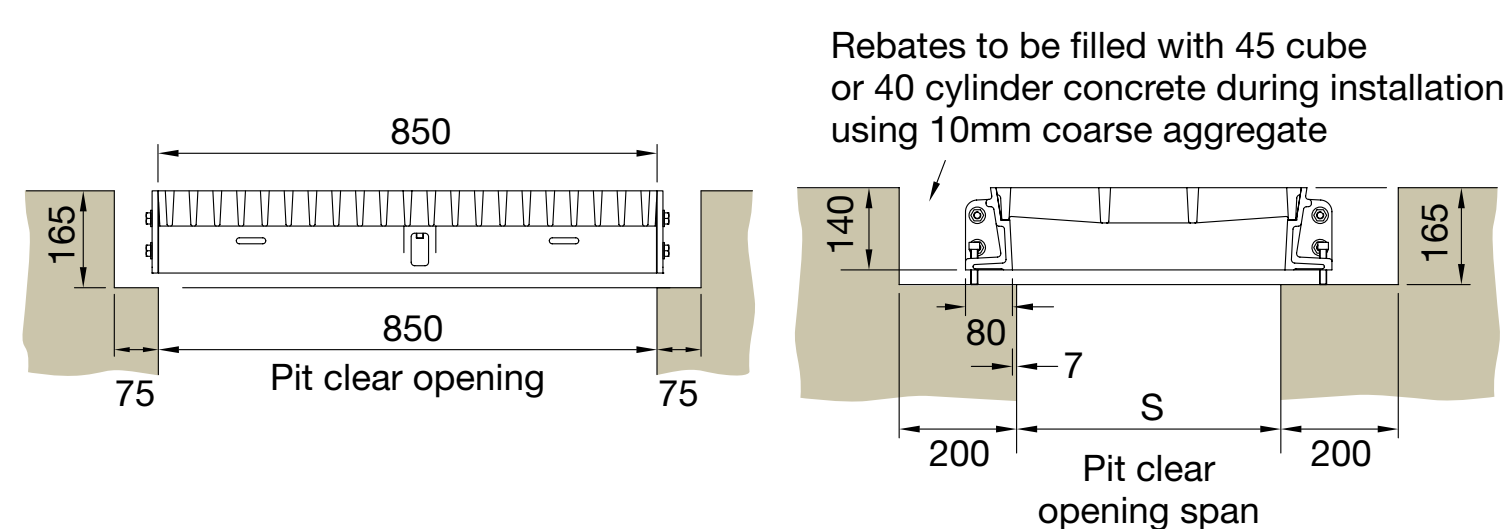
Single gratings with shutter plates

Pit clear opening sizes	Grating type	Load rating	Overall frame size length x width x depth	Suggested rebate size length x width x depth	Waterway per unit
914 x 310	DRG/140/S	F900	950 x 480 x 140	1065 x 700 x 165	1256cm ²
914 x 457	DRG/140/S	F900	950 x 630 x 140	1056 x 850 x 165	2215cm ²
914 x 610	DRG/140	F900	950 x 780 x 140	1065 x 1000 x 165	2768cm ²

Technical diagrams



Type DRG/140/S



Type DRG/140

Continuous Gratings and Frames



Gatic gratings and frames can be manufactured in continuous runs.

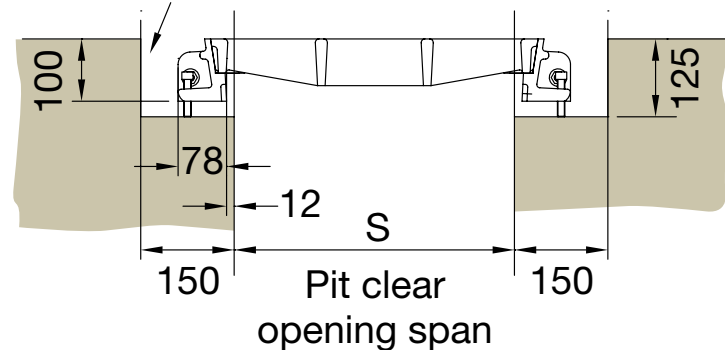
A layout drawing with enquiries will enable our technical department to design an appropriate layout of gratings.

All Type DRG/100 gratings and frames available in 1000mm lengths except 1000mm c/o span for E600/F900 loadings which are 500mm lengths.

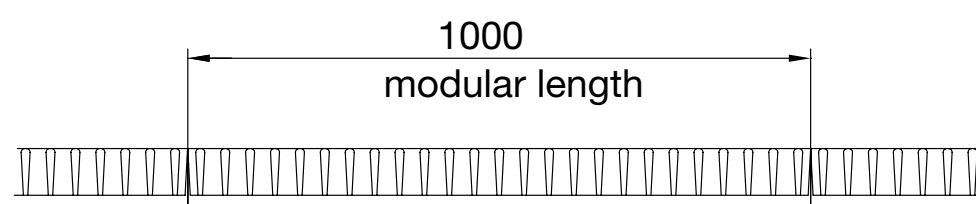
Pit clear opening sizes	C250 Type	D400 Type	E600 Type	F900 Type	Waterway per metre
300	DRG/100	DRG/100	DRG/100	DRG/100	1813cm ²
450	DRG/100	DRG/100	DRG/100	DRG/100	2629cm ²
600	-	DRG/100	DRG/100	DRG/100	3445cm ²
750	-	DRG/100	DRG/100	DRG/100	4329cm ²
810	-	DRG/100	DRG/100	DRG/100	4466cm ²
1000	-	DRG/100	DRG/100	DRG/100	5262cm ²

Technical diagrams

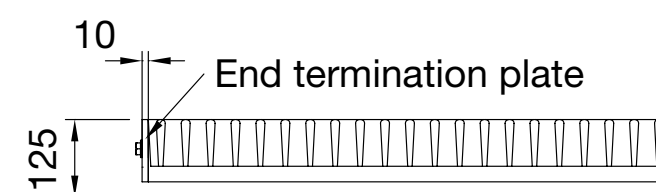
Rebates to be filled with 45 cube or 40 cylinder concrete during installation using 10mm coarse aggregate



Type DRG/100



Section through drainage trench



Section through end terminal

F900

Areas of exceptionally high wheel loads, aircraft hard-standings, taxiways at civil airports, container ports and dockyards, designed for concrete infill



Loading group F900 introduction

Areas of exceptionally high wheel loads, aircraft hard-standings, taxiways at civil airports, container ports and dockyards, designed for concrete infill.

35 tonne slow moving wheel load, test load 900kN - Suitable for:

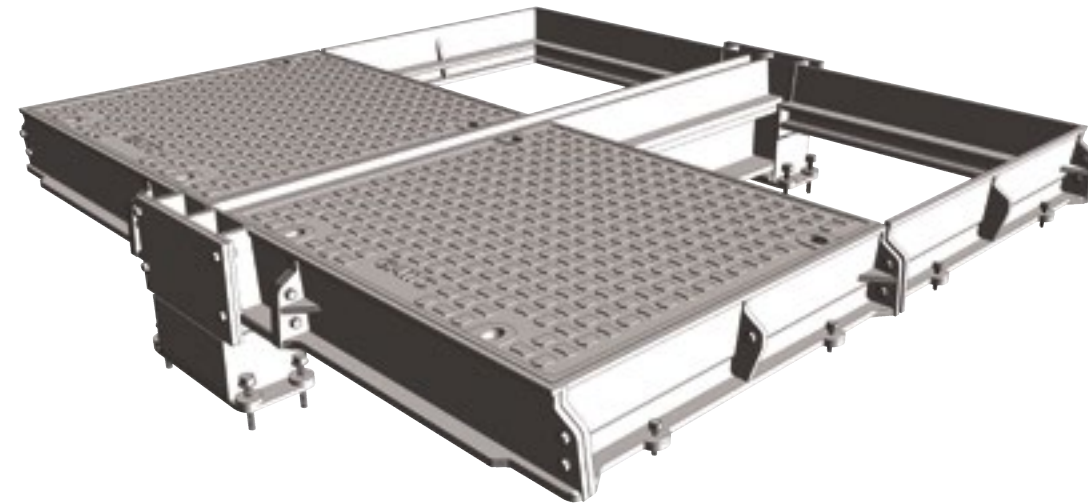
Aircraft hard-standings and taxiways at civil airports

Container ports and dockyards where individual wheel loadings of up to 35 tonnes may be encountered

F900 assemblies are available with a choice of cover designs - recessed or solid top.

Solid top

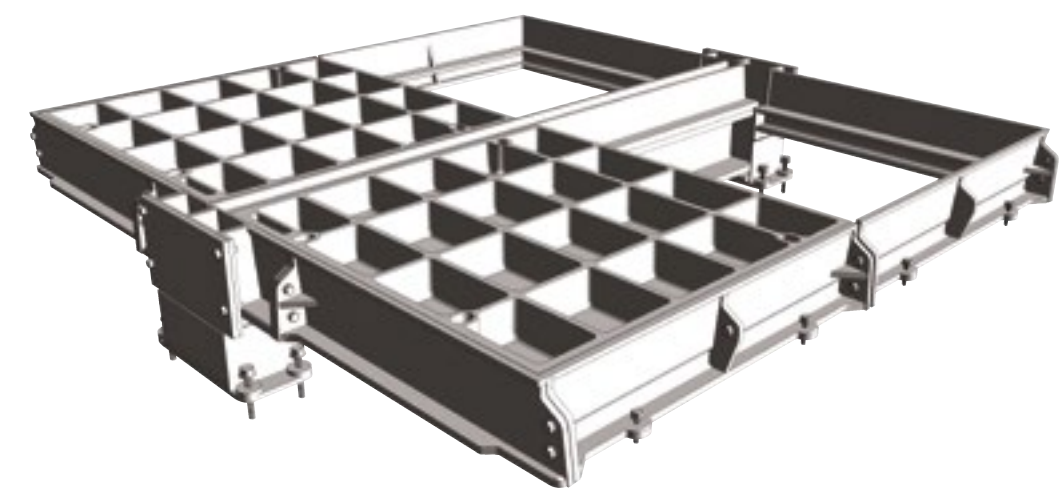
Solid top cover types are lighter in weight than recessed covers, and feature an anti-slip surface. Solid top covers are denoted by the code Type RSF depicted in section on the following pages.



Recessed for concrete infill

Recessed covers are available in a choice of designs designated by a 'Type' reference. F900 recessed covers are available as Type DLF, DM, RRF, DM/F. Section drawings of the different recessed cover types are shown on the following pages.

To prevent movement of covers in high traffic conditions, we recommend the use of a factory fitted vibration-resistant locking system. Can be fitted to recessed covers only.



Product Ranges

Single covers and frames



Duct covers and frames



Assist Lift



Continuous trench covers and frames



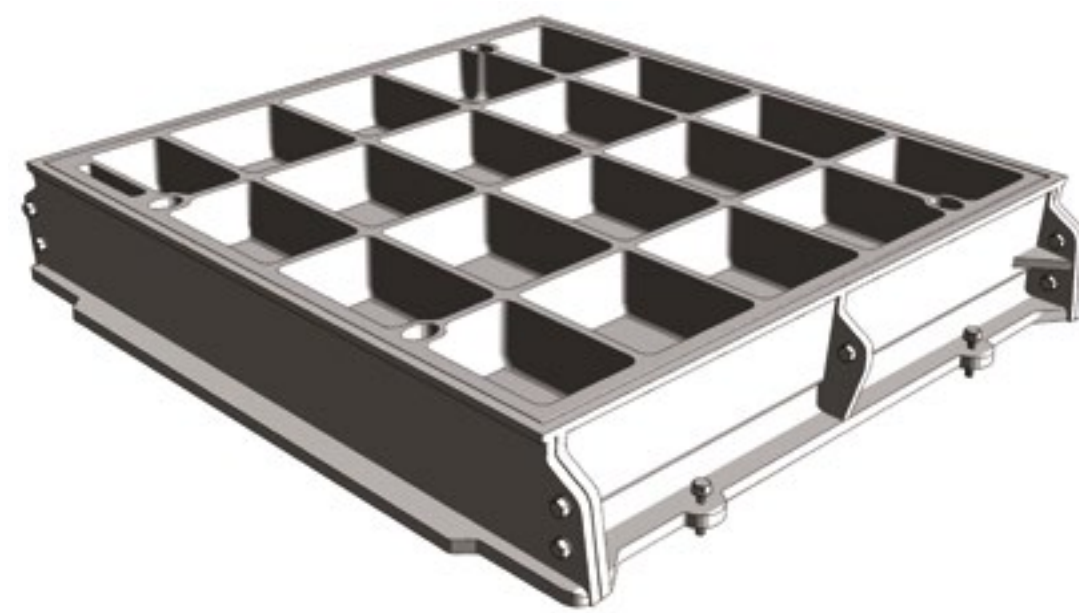
Multispan covers and frames



LFA

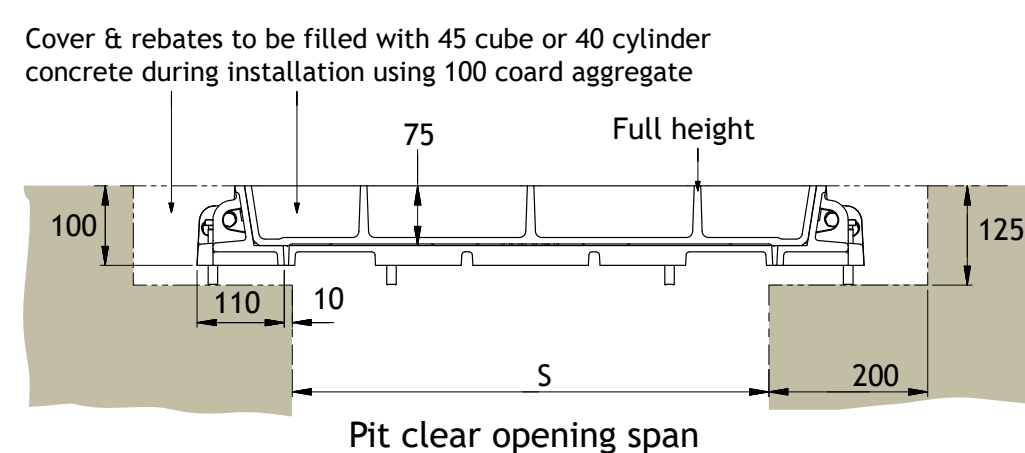


Single Recessed Covers and Frames

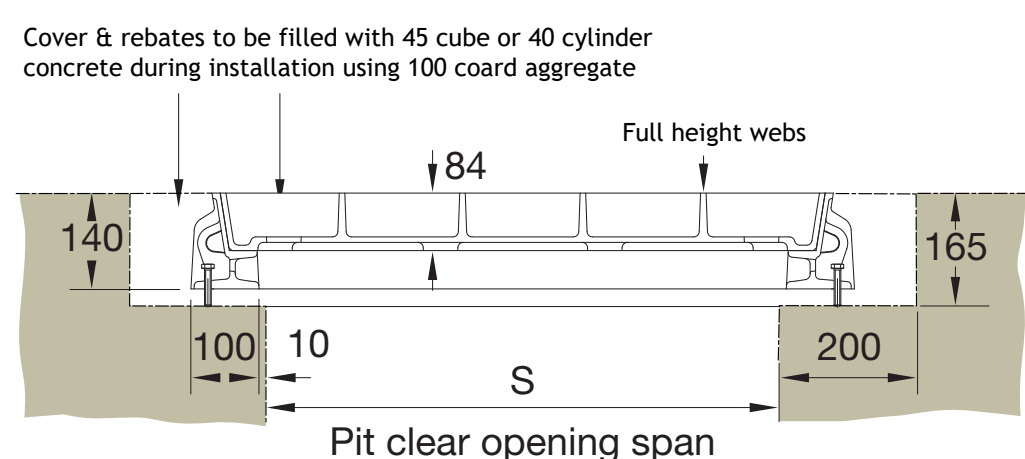


Pit clear opening sizes L x S	Cover type	Overall frame size length x width x depth	Suggested rebate size length x width x depth
750 x 300	DLF	900 x 540 x 75	1050 x 600 x 100
600 x 450	RRF	750 x 690 x 100	1000 x 850 x 125
750 x 450	RRF	900 x 690 x 100	1150 x 850 x 125
600 x 600	RRF	750 x 840 x 100	1000 x 1000 x 125
750 x 600	RRF	900 x 840 x 100	1150 x 1000 x 125
900 x 600	RRF	1050 x 840 x 100	1300 x 1000 x 125
600 x 750	RRF	750 x 990 x 100	1000 x 1150 x 125
750 x 750	RRF	900 x 990 x 100	1150 x 1150 x 125
900 x 750	RRF	1050 x 990 x 100	1300 x 1150 x 125
600 x 900	RRF	750 x 1140 x 100	1000 x 1300 x 125
750 x 900	RRF	900 x 1140 x 100	1150 x 1300 x 125
900 x 900	RRF	1120 x 1140 x 100	1300 x 1300 x 125
600 x 1050	RRF	750 x 1290 x 100	1000 x 1450 x 125
600 x 1050	DM	750 x 1290 x 140	1000 x 1450 x 165
750 x 1050	DM	970 x 1270 x 140	1150 x 1450 x 165
1000 x 1050	DM	1220 x 1270 x 140	1400 x 1450 x 165
600 x 1200	RRF	750 x 1440 x 100	1000 x 1600 x 125
750 x 1200	RRF	900 x 1440 x 100	1150 x 1600 x 125
600 x 1500	DM/F	820 x 1720 x 140	1000 x 1900 x 165
750 x 1500	DM/F	970 x 1720 x 140	1150 x 1900 x 165

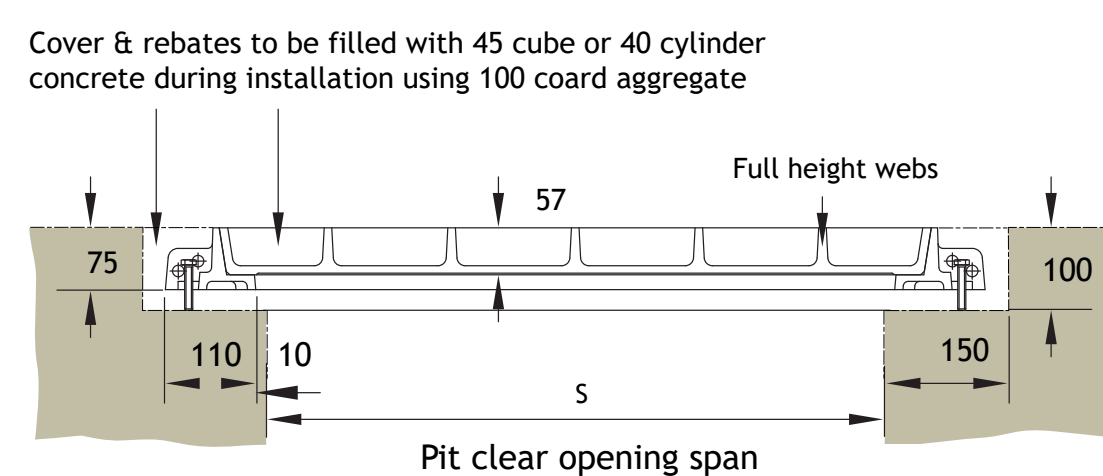
Technical Diagrams



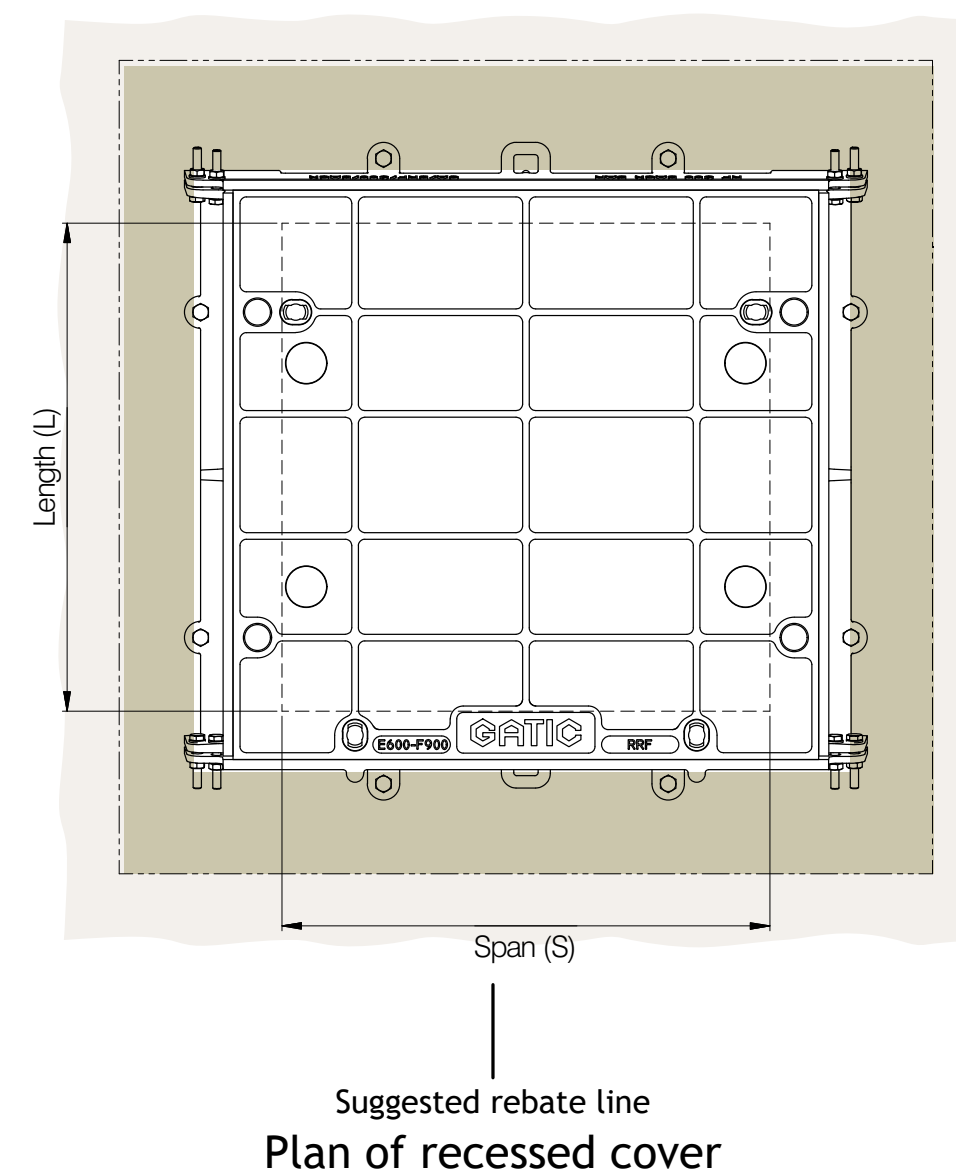
Type RRF



Type DM / DM/F



Type DLF



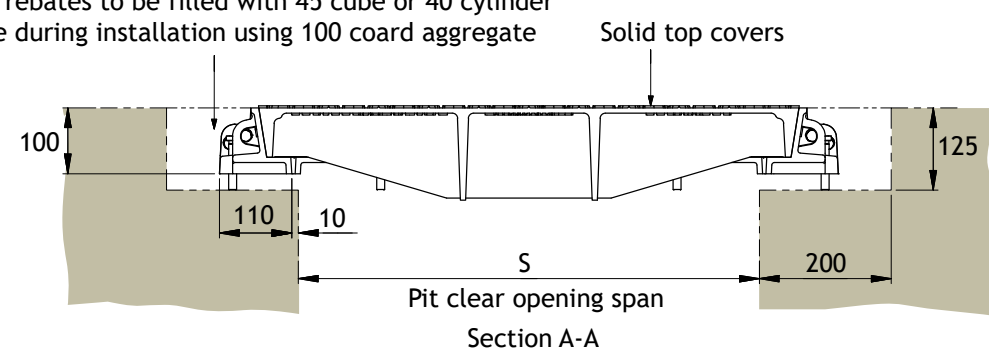
Single Solid Covers and Frames



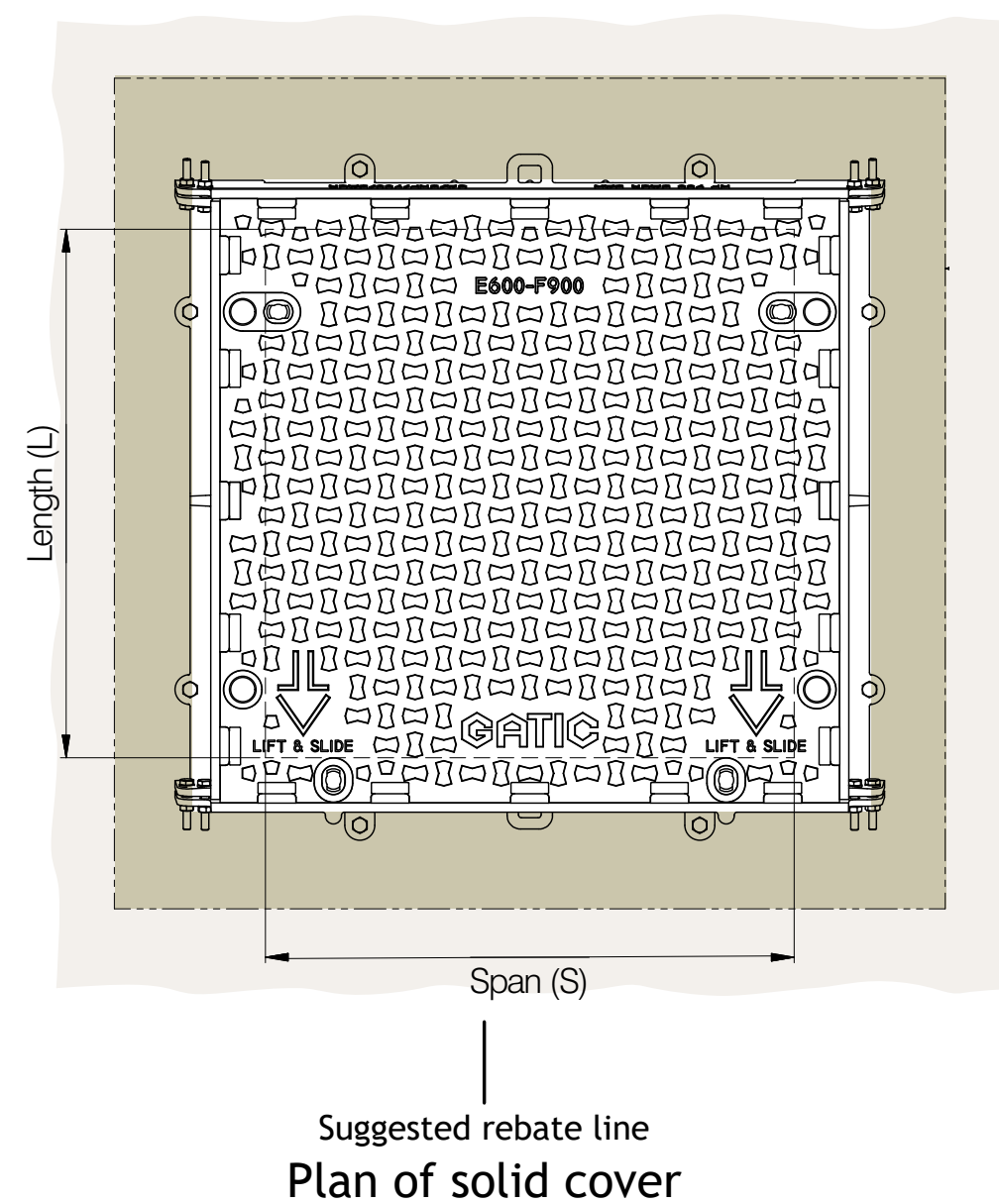
Pit clear opening sizes L x S	Cover type	Overall frame size length x width x depth	Suggested rebate size length x width x depth
600 x 600	RSF	750 x 840 x 100	1000 x 1000 x 125
750 x 600	RSF	900 x 840 x 100	1150 x 1000 x 125
900 x 600	RSF	1050 x 840 x 100	1300 x 1000 x 125
700 x 700	RSF	850 x 940 x 100	1100 x 1100 x 125
600 x 750	RSF	750 x 990 x 100	1000 x 1150 x 125
750 x 750	RSF	900 x 990 x 100	1150 x 1150 x 125
900 x 750	RSF	1050 x 990 x 100	1300 x 1150 x 125
600 x 900	RSF	750 x 1140 x 100	1000 x 1300 x 125
750 x 900	RSF	900 x 1140 x 100	1150 x 1300 x 125
900 x 900	RSF	1120 x 1140 x 100	1300 x 1300 x 125
1000 x 1000	RSF	1220 x 1240 x 100	1400 x 1400 x 125

Technical Diagrams

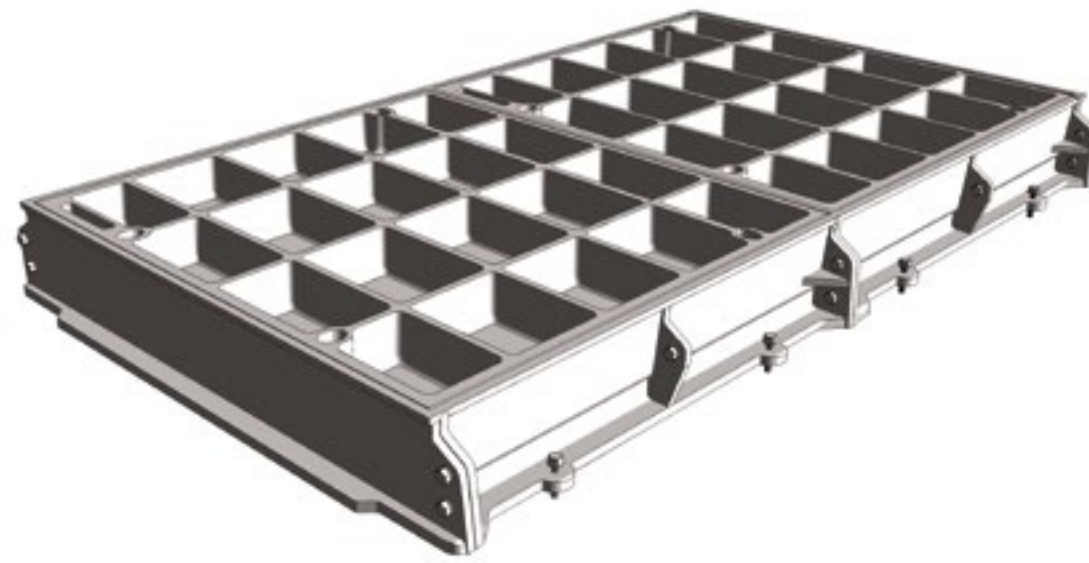
Cover & rebates to be filled with 45 cube or 40 cylinder concrete during installation using 100 coarse aggregate



Type RSF



Recessed Duct Covers and Frames

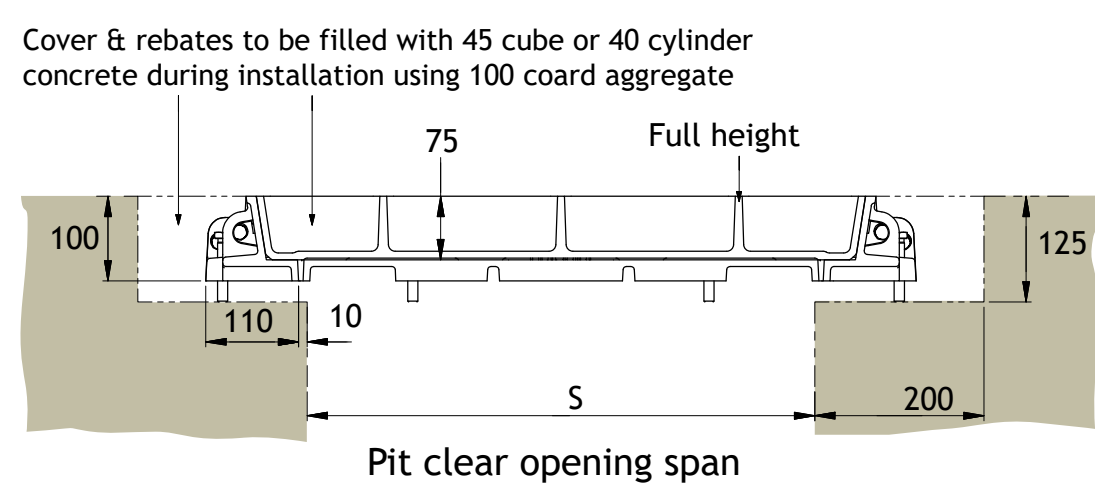


Pit clear opening span (S)	Cover type	Suggested rebate size length x width x depth	Standard pit clear opening length (L)											
			1300	1450	1600	1750	1900	2000	2150	2300	2450	2600	2700	2750
300	DLF	(L+300) x 600 x 100	*	*	2	*	*	*	*	*	3	*	*	*
450	RRF	(L + 400) x 850 x 125	2	2	2	*	*	3	3	3	3	*	4	*
600	RRF	(L + 400) x 1000 x 125	2	2	2	2	2	3	3	3	3	3	4	3
750	RRF	(L + 400) x 1150 x 125	2	2	2	2	2	3	3	3	3	3	4	3
900	RRF	(L + 400) x 1300 x 125	2	2	2	2	2	3	3	3	3	3	4	3
1050	RRF	(L + 400) x 1450 x 125	2	*	*	*	*	3	*	*	*	*	4	*
1050	DM	(L + 400) x 1450 x 165	2	2	2	*	*	3	3	3	3	*	4	*
1200	RRF	(L + 400) x 1600 x 125	2	2	2	*	*	3	3	3	3	*	4	*
1500	DM/F	(L + 400) x 1900 x 165	2	2	2	*	*	3	3	3	3	*	4	*

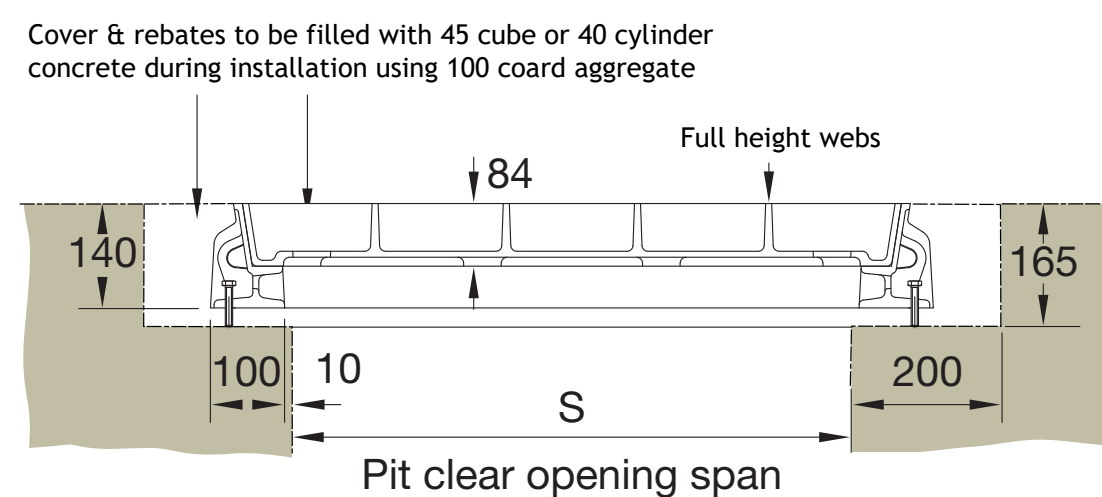
Pit clear opening span (S)	Cover type	Suggested rebate size length x width x depth	Standard pit clear opening length (L)											
			2850	2900	3000	3150	3300	3400	3550	3700	3850	3900	4000	4150
300	DLF	(L+300) x 600 x 100	*	*	*	*	4	*	*	*	*	*	*	5
450	RRF	(L + 400) x 850 x 125	4	*	4	4	4	5	5	5	5	*	5	5
600	RRF	(L + 400) x 1000 x 125	4	3	4	4	4	5	5	5	5	4	5	5
750	RRF	(L + 400) x 1150 x 125	4	3	4	4	4	5	5	5	5	4	5	5
900	RRF	(L + 400) x 1300 x 125	4	3	4	4	4	5	5	5	5	4	5	5
1050	RRF	(L + 400) x 1450 x 125	*	*	*	*	*	5	*	*	*	*	*	*
1050	DM	(L + 400) x 1450 x 165	4	*	4	4	4	5	5	5	5	*	5	5
1200	RRF	(L + 400) x 1600 x 125	4	*	4	4	4	5	5	5	5	*	5	5
1500	DM/F	(L + 400) x 1900 x 165	4	*	4	4	4	5	5	5	5	*	5	5

* Indicates standard sizes not available. The number shown indicates the quantity of cover parts. Other spans of covers are available upon request. Contact gatictech@alumascwms.co.uk for further information.

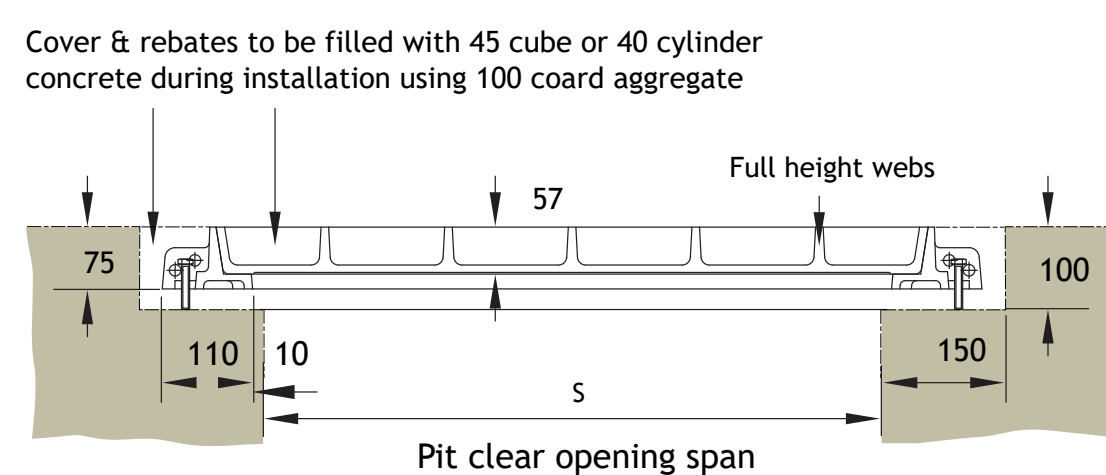
Technical Diagrams



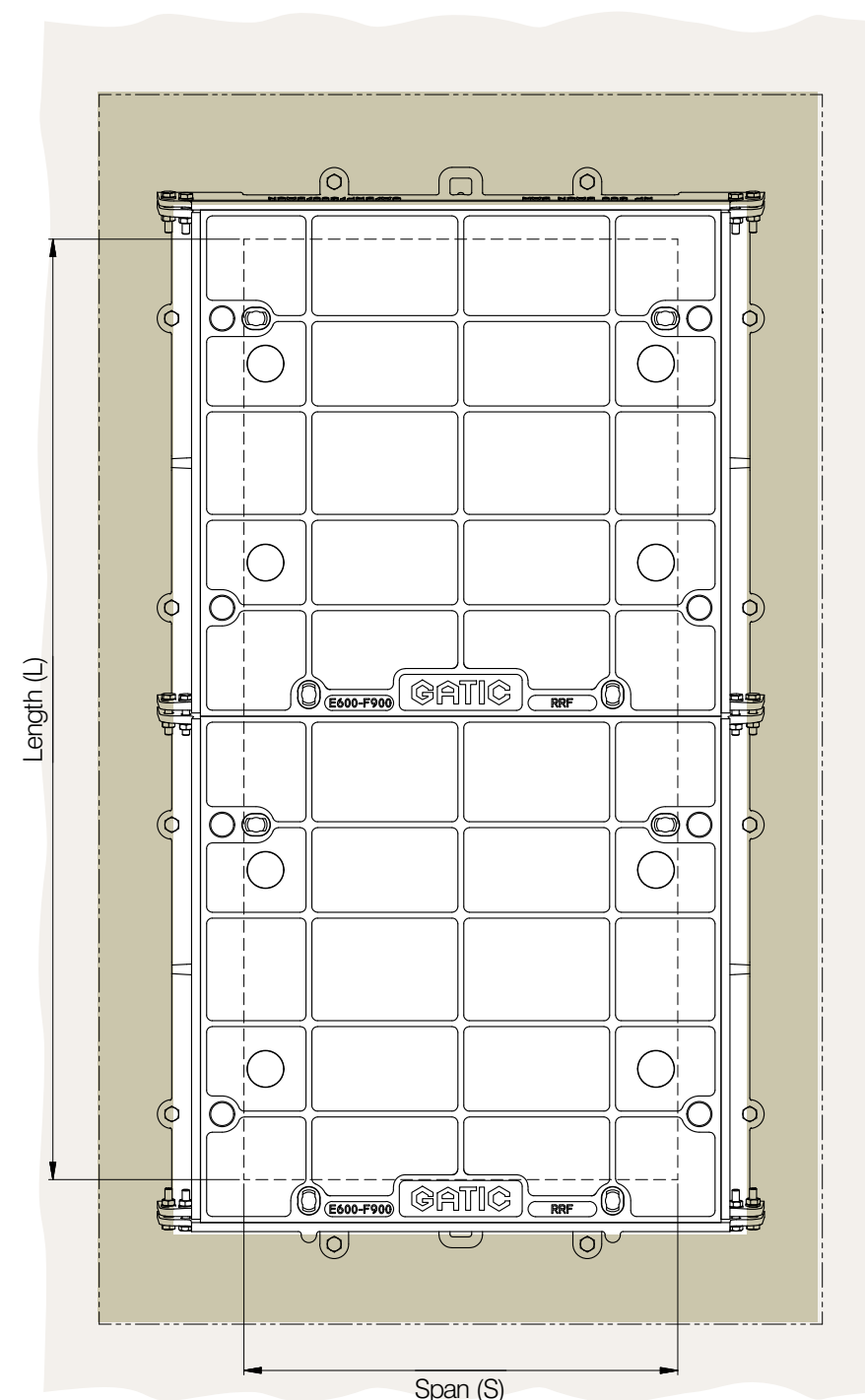
Type RRF



Type DM/F



Type DLF



Solid Top Duct Covers and Frames

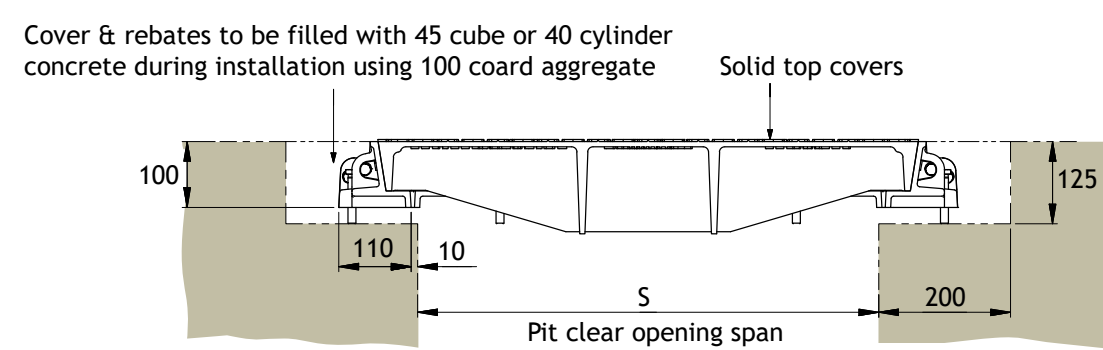


Pit clear opening span (S)	Cover type	Suggested rebate size length x width x depth	Standard pit clear opening length (L)												
			1300	1450	1500	1600	1750	1900	2000	2150	2300	2450	2600	2700	2750
600	RSF	(L + 400) x 1000 x 125	2	2	*	2	2	2	3	3	3	3	3	4	3
700	RSF	(L + 400) x 1100 x 125	*	*	2	*	*	*	*	*	3	*	*	*	*
750	RSF	(L + 400) x 1150 x 125	2	2	*	2	2	2	3	3	3	3	3	4	3
900	RSF	(L + 400) x 1300 x 125	2	2	*	2	2	2	3	3	3	3	3	4	3

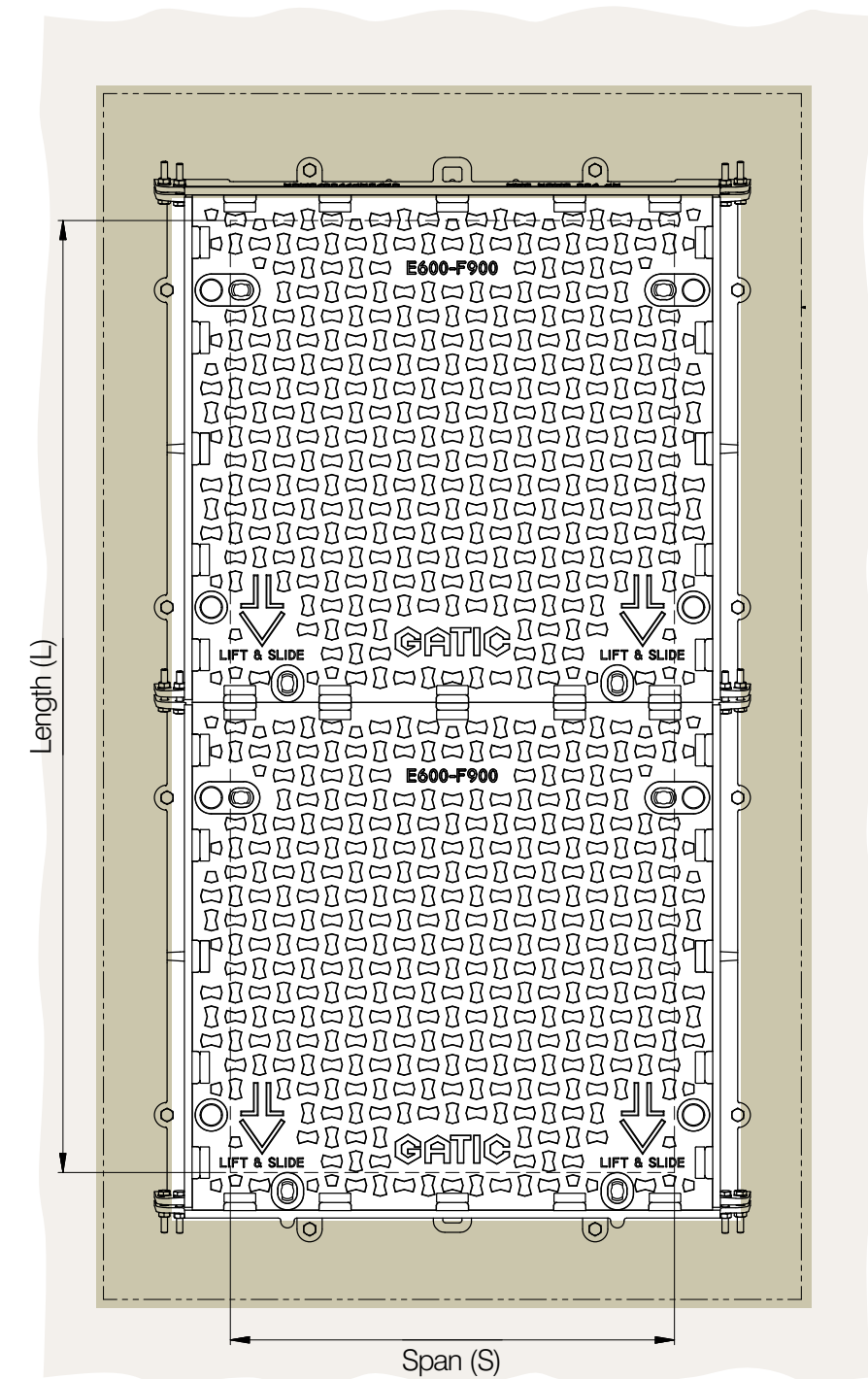
Pit clear opening span (S)	Cover type	Suggested rebate size length x width x depth	Standard pit clear opening length (L)												
			2850	2900	3000	3100	3150	3300	3400	3550	3700	3850	3900	4000	4150
600	RSF	(L + 400) x 1000 x 125	4	3	4	*	4	4	5	5	5	5	4	5	5
700	RSF	(L + 400) x 1100 x 125	*	*	*	4	*	*	*	*	*	*	5	*	*
750	RSF	(L + 400) x 1150 x 125	4	3	4	*	4	4	5	5	5	5	4	5	5
900	RSF	(L + 400) x 1300 x 125	4	3	4	*	4	4	5	5	5	5	4	5	5

* Indicates standard sizes not available. The number shown indicates the quantity of cover parts. Other spans of covers are available upon request. Contact gatictech@alumascwms.co.uk for further information.

Technical Diagrams

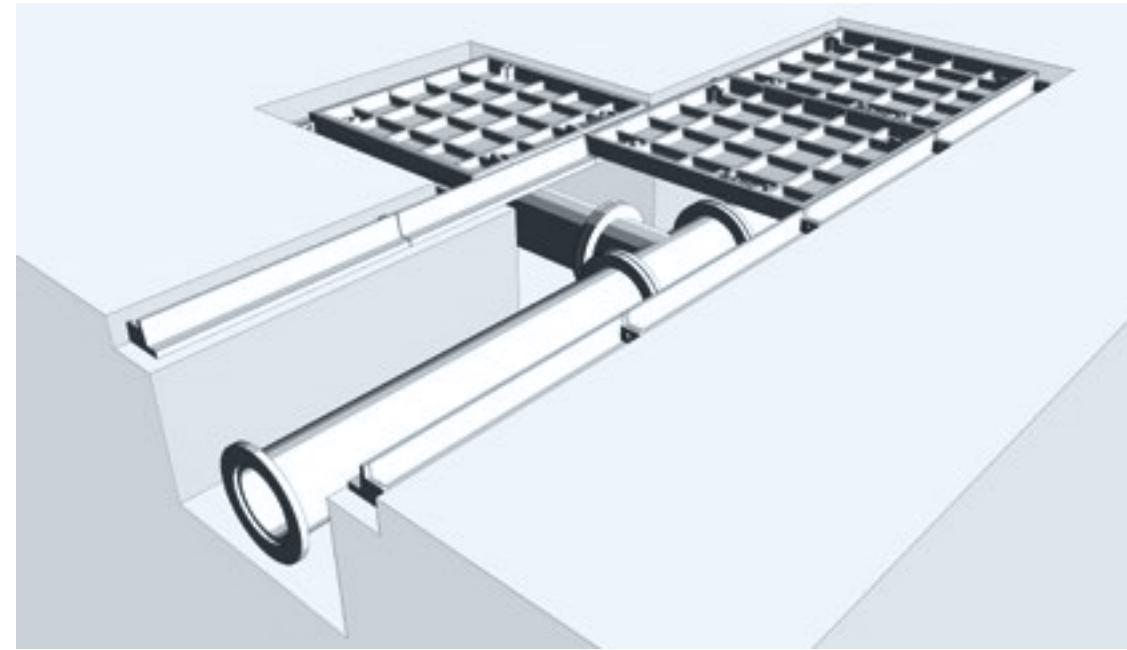
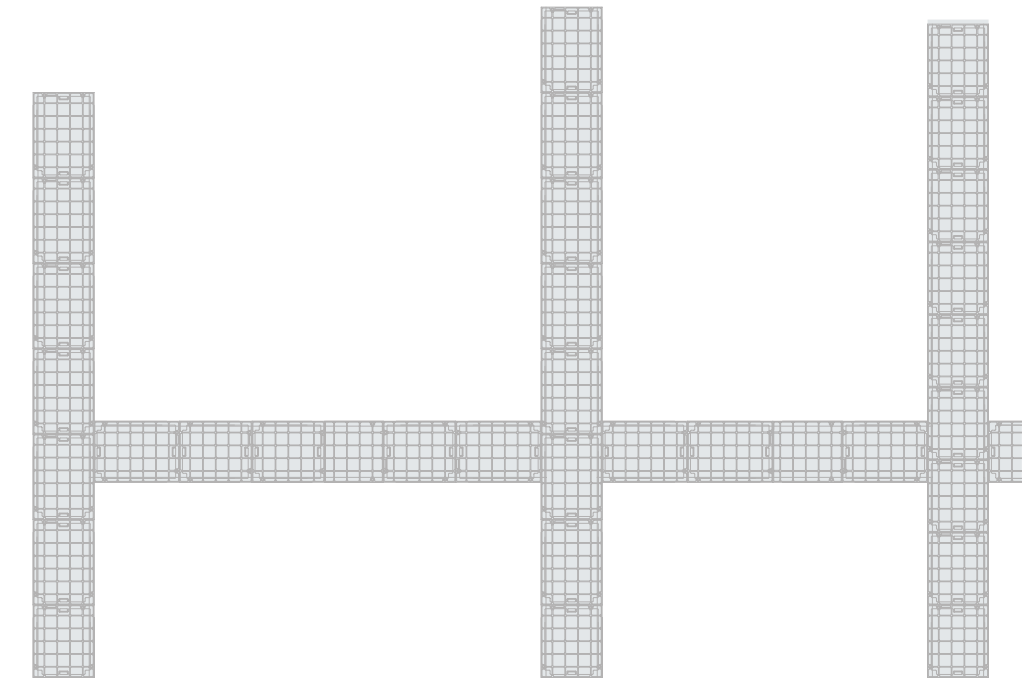
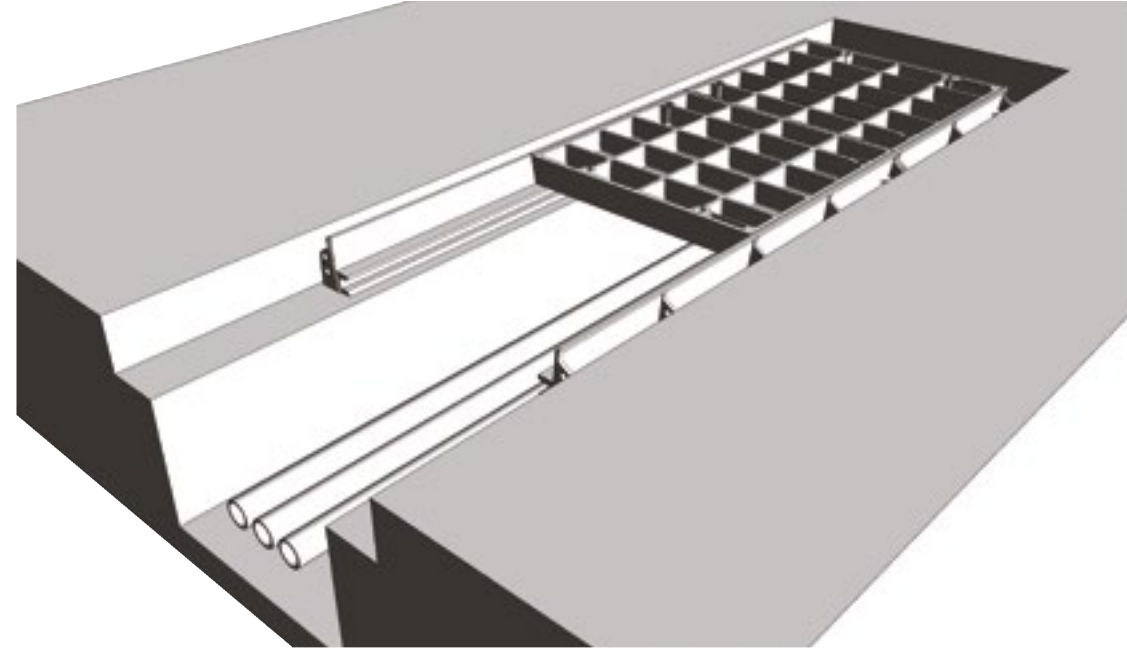
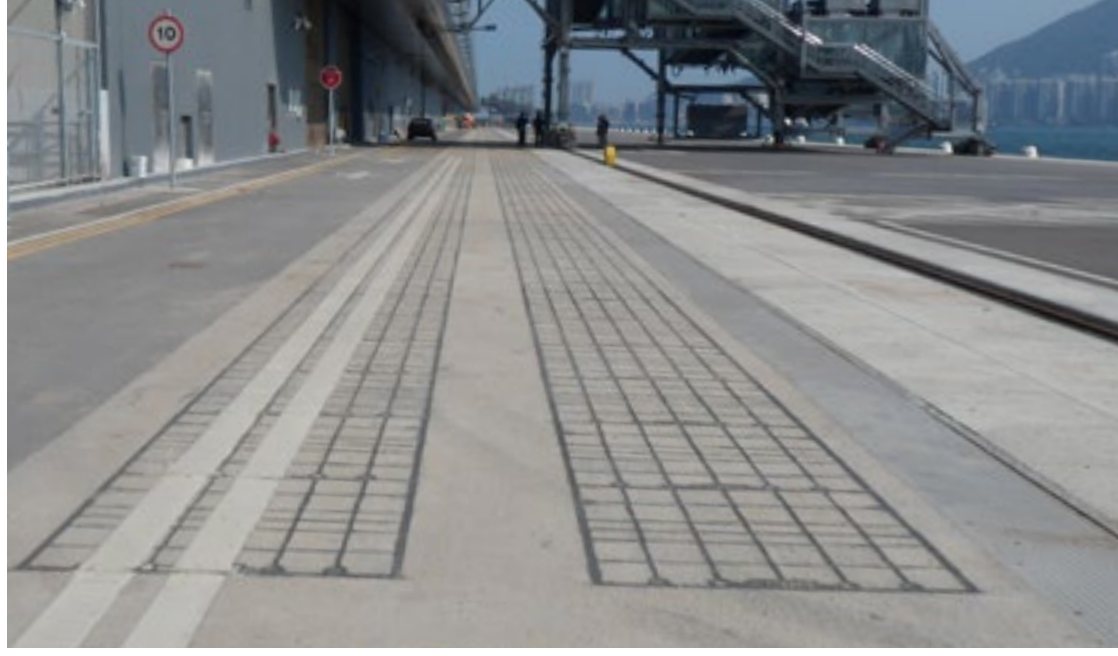


Type RSF



Suggested rebate line
Plan of recessed cover

Continuous Recessed Trench Covers & Frames



Gatic covers can be formed to make continuous trenches or layouts providing total access to services below.

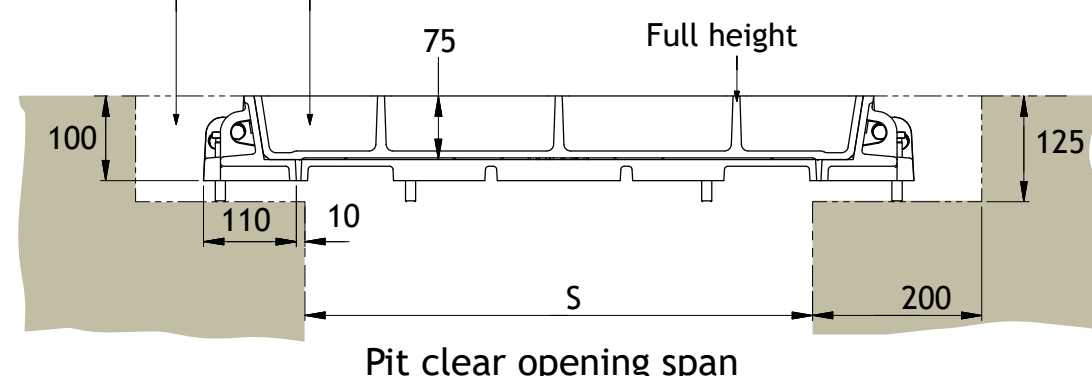
Construction drawings are required so that Gatic cover layout drawings can be prepared.

Pit clear opening span	Cover type
300	DLF
450	RRF
600	RRF
750	RRF
900	RRF
1050	RRF
1200	RRF
1500	DM/F

Note: Other spans of covers are available upon request. Contact gatictech@alumascwms.co.uk for further information.

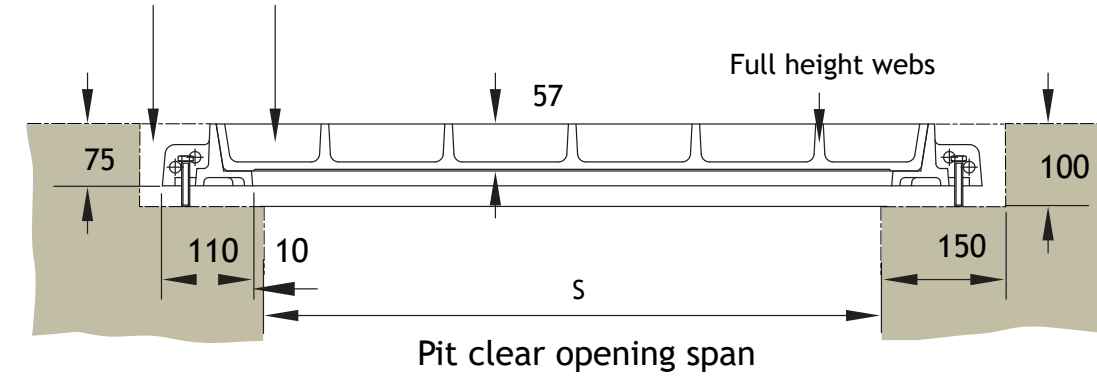
Technical Diagrams

Cover & rebates to be filled with 45 cube or 40 cylinder concrete during installation using 100 coard aggregate



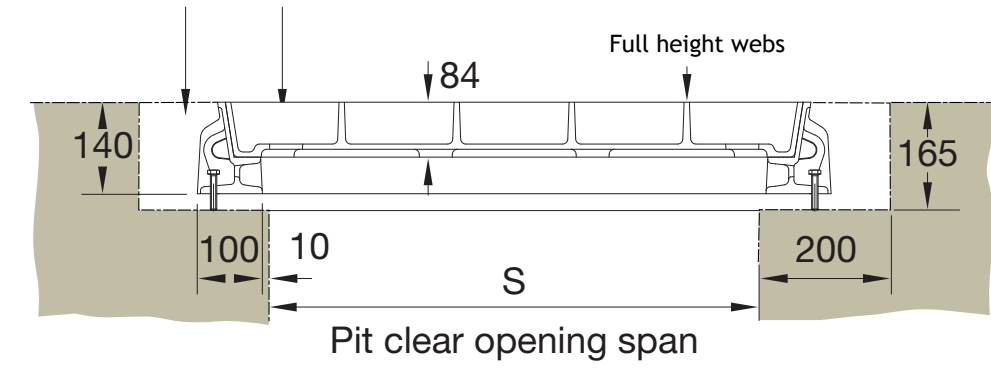
Type RRF

Cover & rebates to be filled with 45 cube or 40 cylinder concrete during installation using 100 coard aggregate



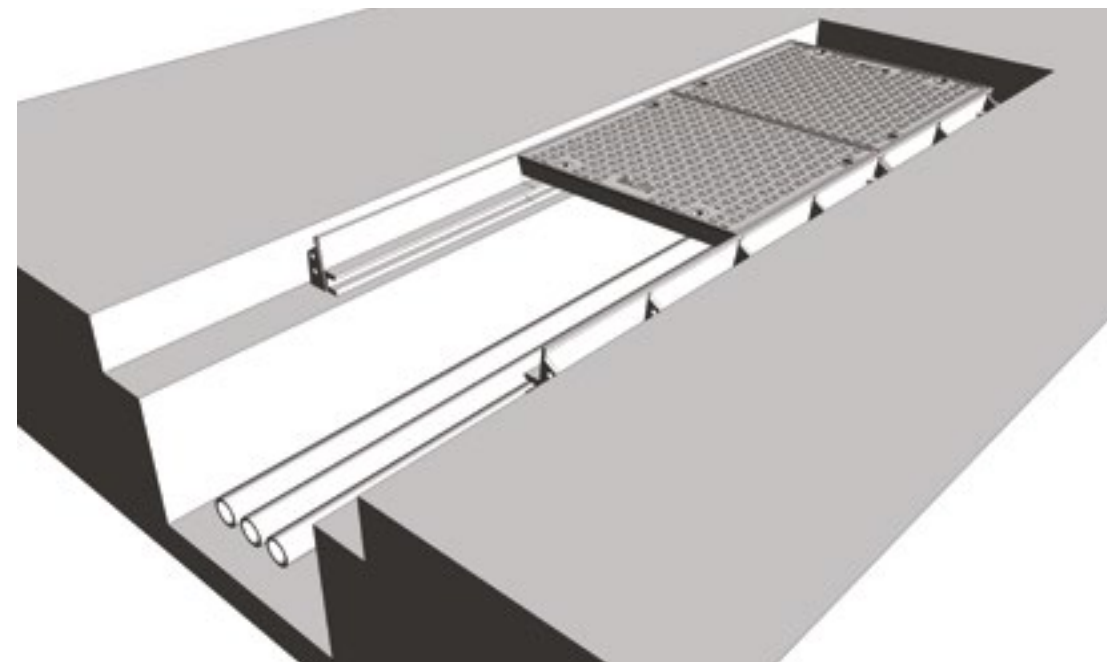
Type DLF

Cover & rebates to be filled with 45 cube or 40 cylinder concrete during installation using 100 coard aggregate



Type DM/F

Continuous Solid Trench Covers & Frames



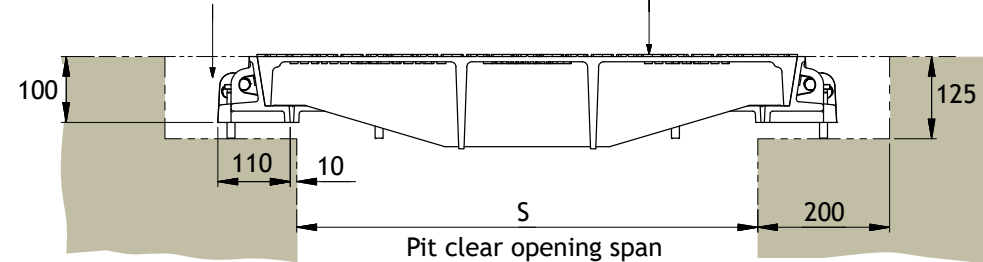
Pit clear opening span	Cover type
600	RSF
700	RSF
750	RSF
900	RSF

Standard Solid top covers are supplied in straight runs. Junctions and splays can be achieved by the inclusion of localised recessed covers. Refer to our technical department for more information.

Note: Solid top covers can only be supplied in continuous straight runs

Technical Diagrams

Cover & rebates to be filled with 45 cube or 40 cylinder concrete during installation using 100 coard aggregate



Type RSF

Multispan Covers and Frames

Product Selection

Refer to the table to identify which cover and beam configuration you require against pit clear opening length (L) and pit clear opening span (S). All dimensions are in millimetres. Gatic can achieve sizes beyond the extent of those listed in the table - please speak to the Gatic technical team for further details.

Note: All dimensions shown in red are made up using 700 x 700 solid top covers. Not compatible with other lengths

		Pit clear opening span (S) mm				
		2 parts 1 beam	3 parts 2 beams	4 parts 3 beams	5 parts 4 beams	
Pit clear opening length (L) mm	2 parts	1300	2160	2940	3720	
		1450	2310	3090	3870	
		1500	2460	3240	4020	
	3 parts	1600	1580	2460	3340	4170
		1680	2610	3390	4320	
		1750	2760	3540	4470	
		1830	2910	3690	4620	
		1980	3060	3840	4770	
		2000		3990	4920	
	4 parts	2150		4140	5070	
		2300			5220	
		2300	690	690	690	690
2450		690	690	690	690	
2600		690	690	690	690	
2750		690	690	690	690	
5 parts	2700	690	690	690	690	
	2850	690	690	690	690	
	3000	690	690	690	690	
	3100	690	690	690	690	
	3150	690	690	690	690	
	3300	690	690	690	690	
6 parts	3450	690	690	690	690	
	3600	690	690	690	690	
	3750	690	690	690	690	
	3900	690	690	690	690	
		690	690	690	690	
		690	690	690	690	
7 parts		690	690	690	690	
		690	690	690	690	
		690	690	690	690	
		690	690	690	690	
		690	690	690	690	
		690	690	690	690	
8 parts		690	690	690	690	
		690	690	690	690	
		690	690	690	690	
		690	690	690	690	
		690	690	690	690	
		690	690	690	690	
9 parts		690	690	690	690	
		690	690	690	690	
		690	690	690	690	
		690	690	690	690	
		690	690	690	690	
		690	690	690	690	
10 parts		690	690	690	690	
		690	690	690	690	
		690	690	690	690	
		690	690	690	690	
		690	690	690	690	
		690	690	690	690	
11 parts		690	690	690	690	
		690	690	690	690	
		690	690	690	690	
		690	690	690	690	
		690	690	690	690	
		690	690	690	690	
12 parts		690	690	690	690	
		690	690	690	690	
		690	690	690	690	
		690	690	690	690	
		690	690	690	690	
		690	690	690	690	
13 parts		690	690	690	690	
		690	690	690	690	
		690	690	690	690	
		690	690	690	690	
		690	690	690	690	
		690	690	690	690	
14 parts		690	690	690	690	
		690	690	690	690	
		690	690	690	690	
		690	690	690	690	
		690	690	690	690	
		690	690	690	690	
15 parts		690	690	690	690	
		690	690	690	690	
		690	690	690	690	
		690	690	690	690	
		690	690	690	690	
		690	690	690	690	
16 parts		690	690	690	690	
		690	690	690	690	
		690	690	690	690	
		690	690	690	690	
		690	690	690	690	
		690	690	690	690	
17 parts		690	690	690	690	
		690	690	690	690	
		690	690	690	690	
		690	690	690	690	
		690	690	690	690	
		690	690	690	690	
18 parts		690	690	690	690	
		690	690	690	690	
		690	690	690	690	
		690	690	690	690	
		690	690	690	690	
		690	690	690	690	
19 parts		690	690	690	690	
		690	690	690	690	
		690	690	690	690	
		690	690	690	690	
		690	690	690	690	
		690	690	690	690	
20 parts		690	690	690	690	
		690	690	690	690	
		690	690	690	690	
		690	690	690	690	
		690	690	690	690	
		690	690	690	690	

Note: for other pit clear opening sizes please refer to our technical department

Inset lines denote pit opening Cover Beam L = Pit clear opening length S = Pit clear opening span

Intro
Specialist & Bespoke
Gratings
F900
E600
D400
C250
B125
Spec

Multispan Covers and Frames



Type RRF recessed



Type RSF solid top

Beam Size

The required beam size for Multispan covers is dependent on the pit clear opening length and the loading group.

The table shows maximum beam length against beam size. The removable support beams are supplied by Gatic.

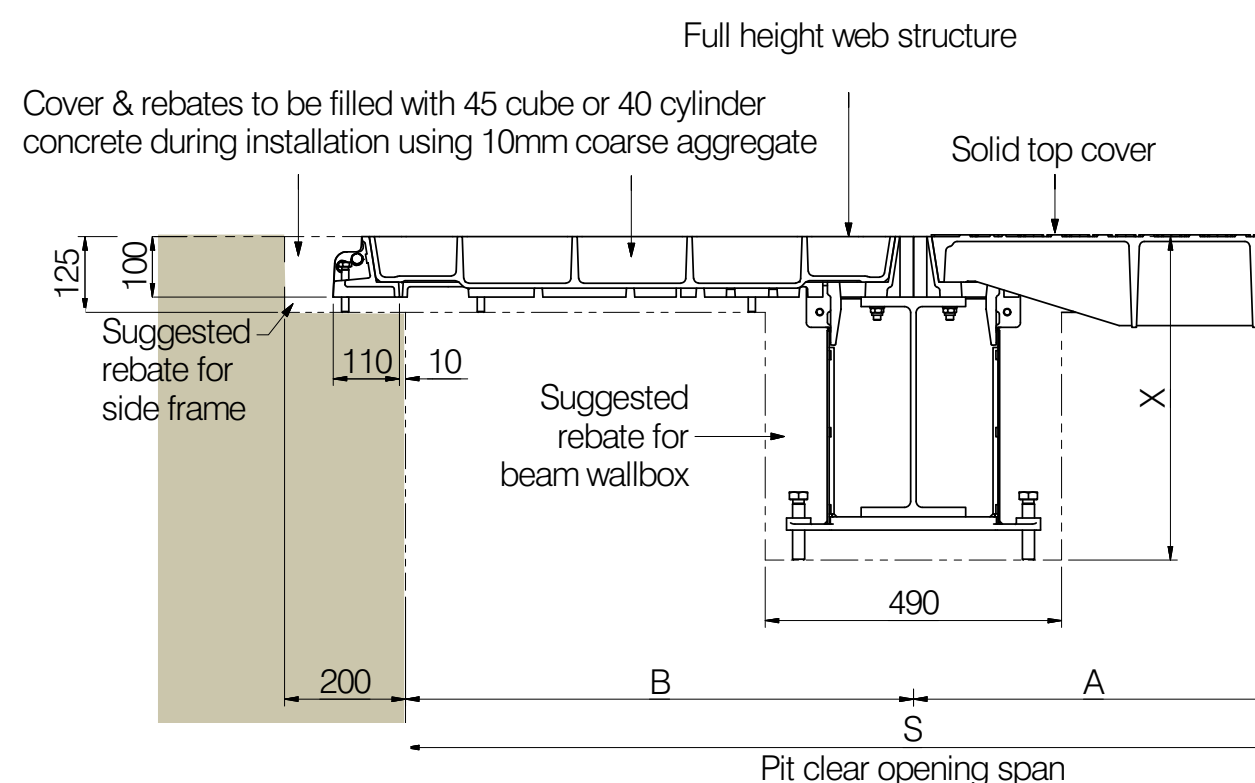
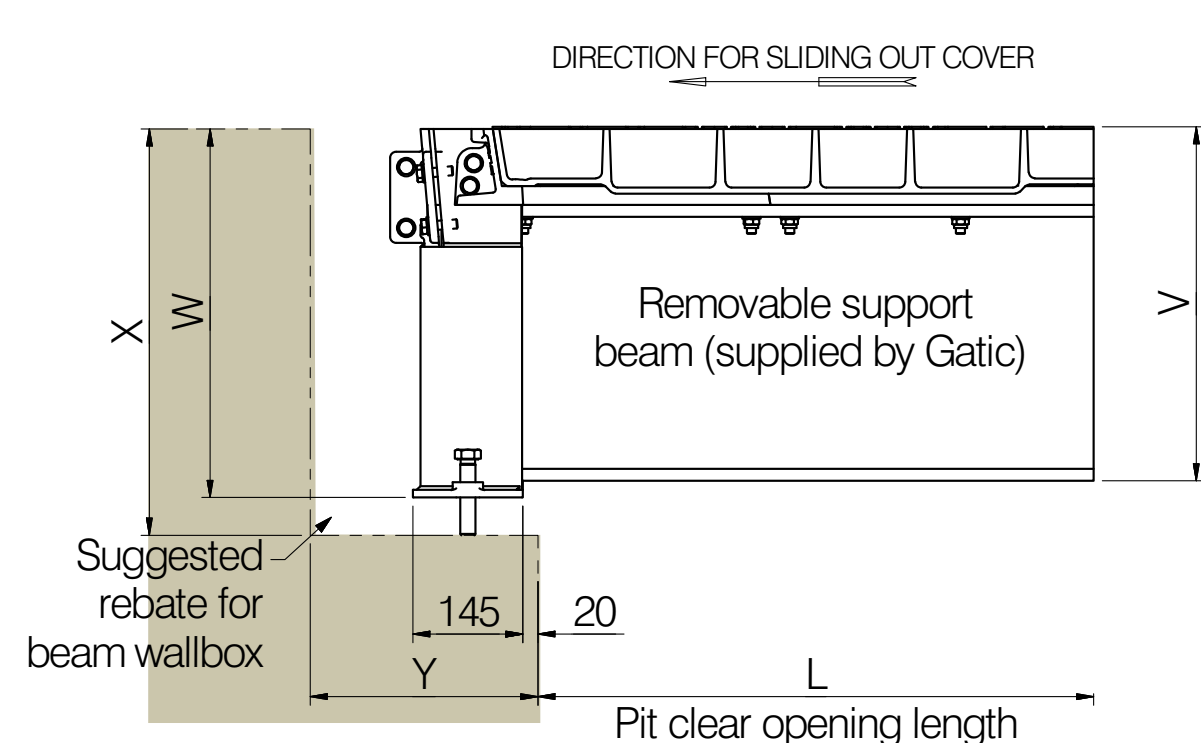
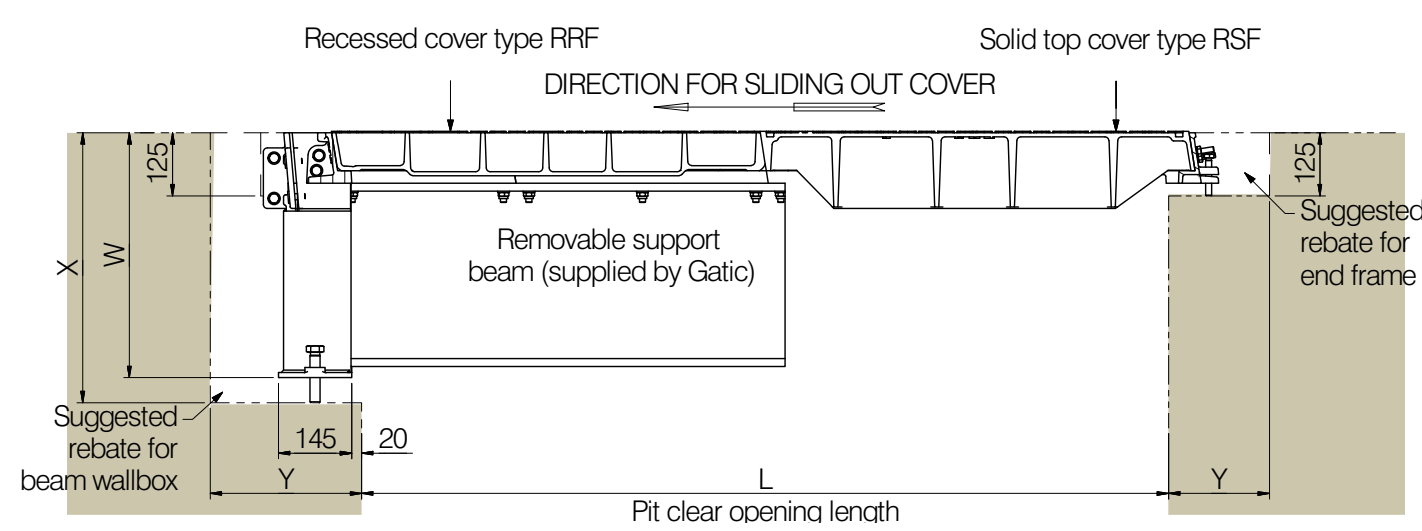
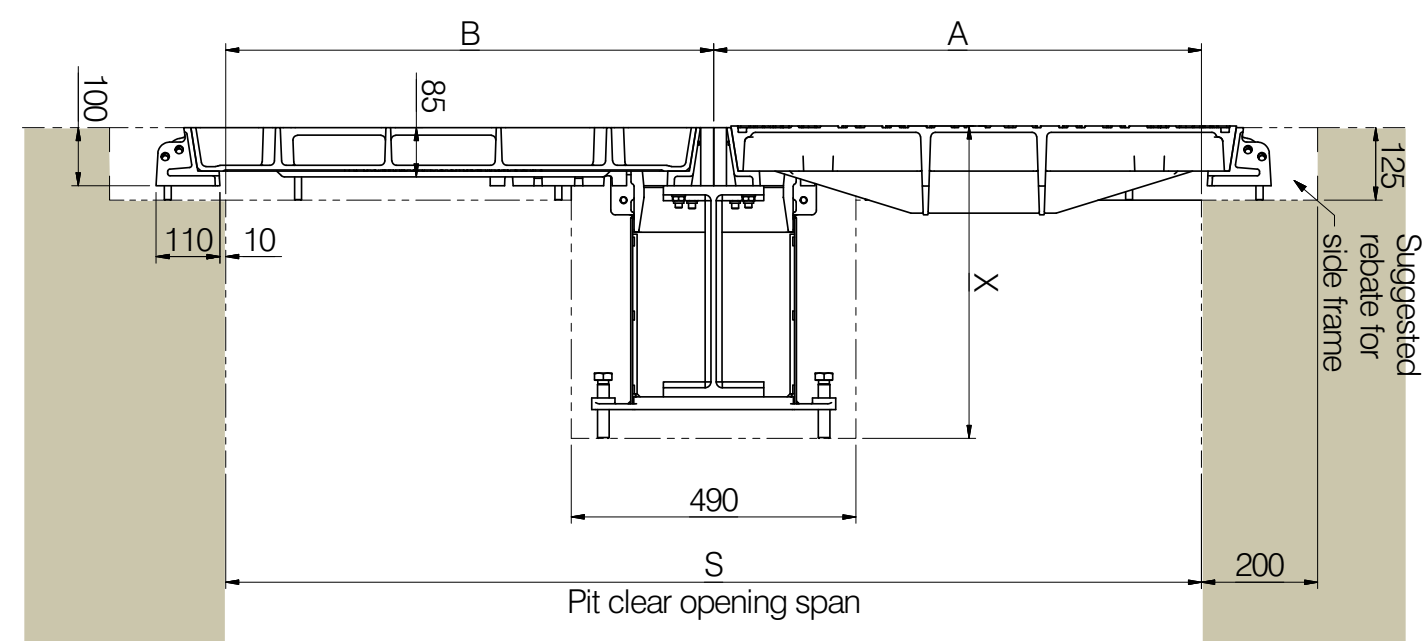
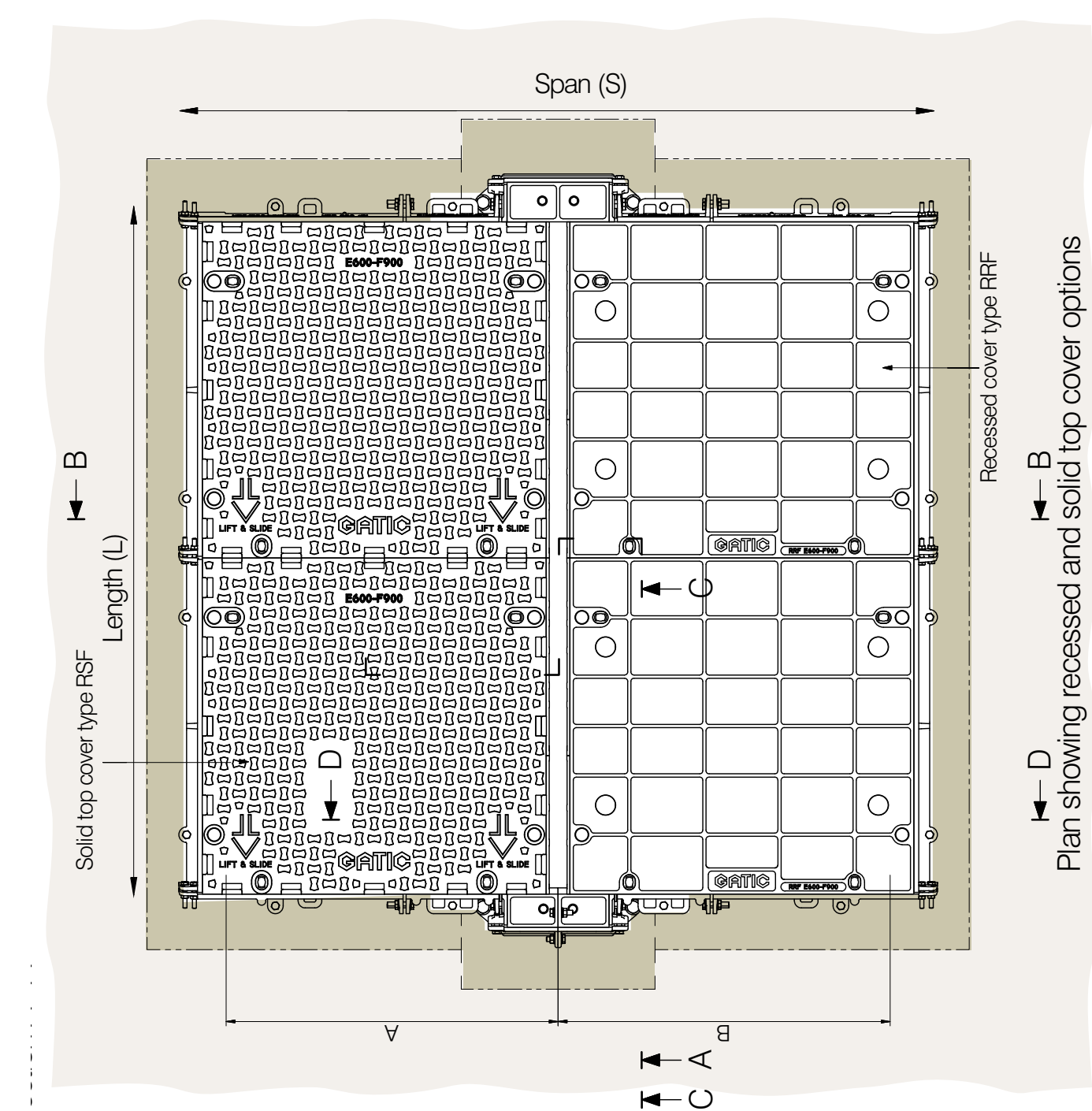
The table also indicates dimensions of the beam wallbox and rebate to suit different beam sizes. See also the accompanying section details.

Support beam size chart

Removable support beam size	Max pit clear opening length (L)	Beam wallbox dimensions			
		V	W	X	Y
356 x 171 x 67 kg/m U.B	1750	465	487	535	300
457 x 152 x 82 kg/m U.B	2600	568	590	635	300
533 x 210 x 122 kg/m U.B	3600	647	669	715	300
610 x 229 x 140 kg/m U.B	3900	719	741	790	350

Note: Removable support beams are supplied by Gatic. For clear opening lengths longer than 3900 please refer to our technical department.

Technical Diagrams



Assist Lift Hinged Covers

Assist lift covers facilitate one person opening of a F900 load rated ductile iron cover either as an individual cover or as part of a multi cover arrangement. The modular nature of the Gatic system of removable covers is designed to provide sealed, uninterrupted access to the services below whether as a single cover, duct or multispan arrangement with removable support beams.

A removable system for virtually any size of pit configuration and loading can be developed. Gatic covers are designed to protect and give access to a diverse range of underground services. Examples include, manhole/pump/valve/transformer chambers, pipe and cable service trenches, cable draw pits, lighting, fuel and fire hydrant pits, machinery/plant access chambers, tunnel shaft access chambers, combined sewer/overflow chambers and storm tie down pits.

Gatic specialise in the design of covers for airports, container ports, dockyards and industrial areas where extreme wheel loadings from aircraft, container carrying equipment and other vehicles may be encountered. Covers are available with solid cast iron tops. Assist lift covers can be incorporated into larger covers for other loading categories upon request.

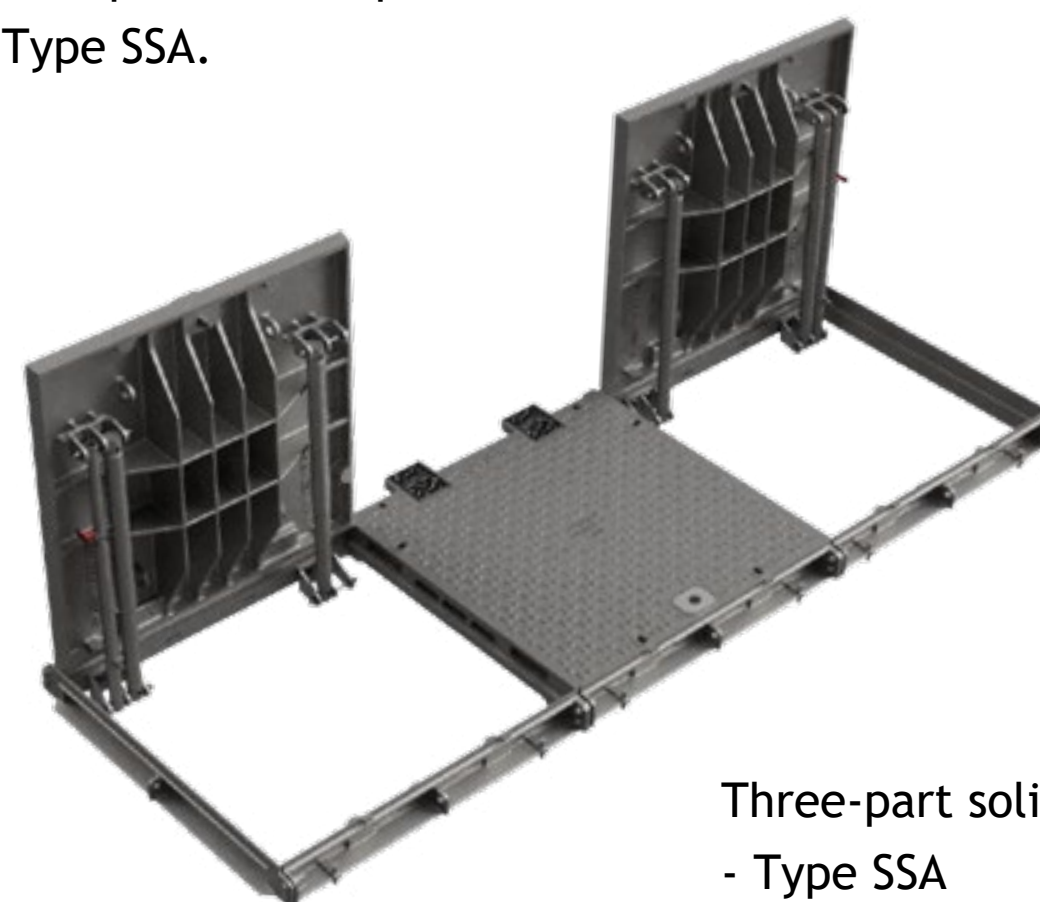
Gatic stand-alone AssistLift covers are available in a variety of configurations.



Single, solid-top AssistLift cover - Type SSA



Two-part solid-top cover - Type SSA.



Three-part solid-top cover - Type SSA

Gatic solid top covers and frames with one AssistLift covers at the reverse end of the unit. These can be supplied in standard units as per the sizes shown on the chart below. Longer lengths are available. Number of cover parts are shown in the boxes under the standard pit clear opening length (L)

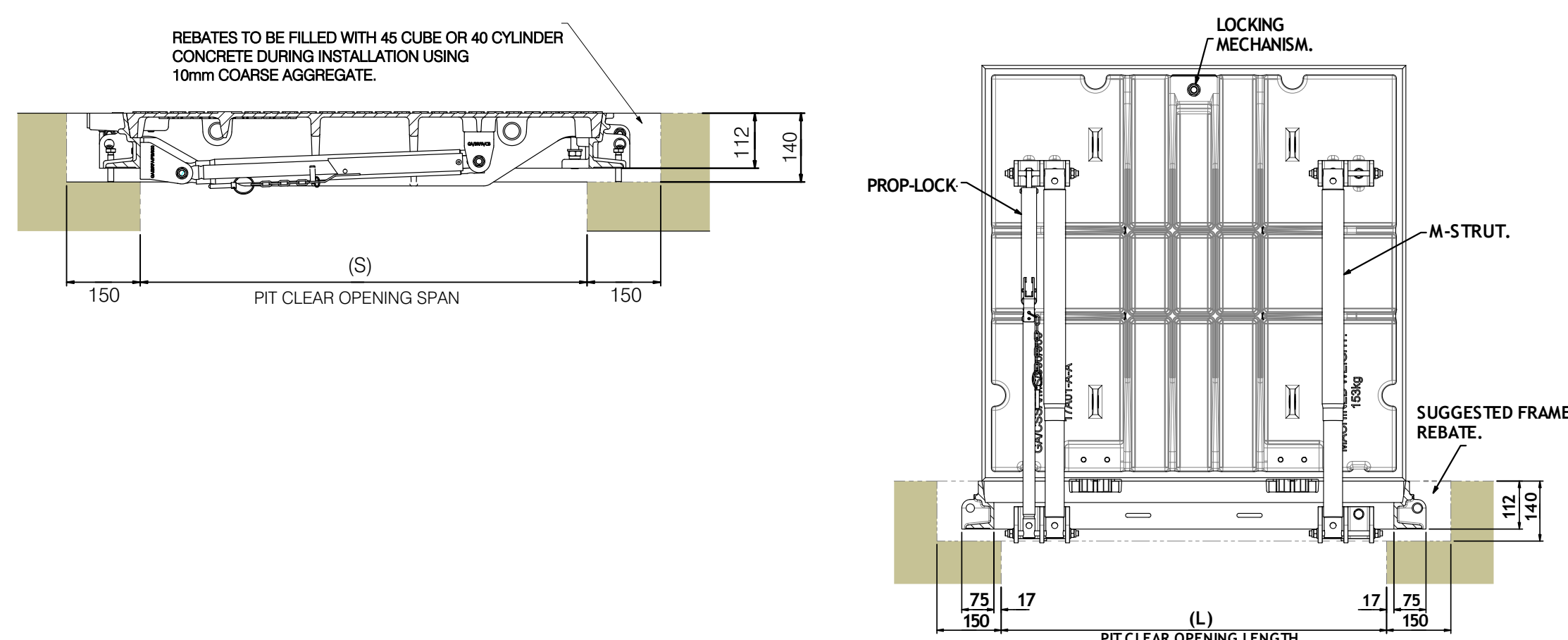
Pit clear opening span (S)	Cover type	Standard pit clear opening length (L)							Pit clear opening span (S)	Cover type	Standard pit clear opening length (L)						
		750	1600	2450	3300	4150	5000	5850			900	1900	2900	3900	4900	5900	6900
750	SSA	1	2	3	4	5	6	7	900	SSA	1	2	3	4	5	6	7

Support frame between covers is removable to give uninterrupted access to the chamber below

Gatic are usually able to offer assist lift on all load classes and covers within this brochure - installation dependant.

Please speak to Gatic technical for the range of options available for your project.

Technical Diagrams



Assist Lift Hinged Covers

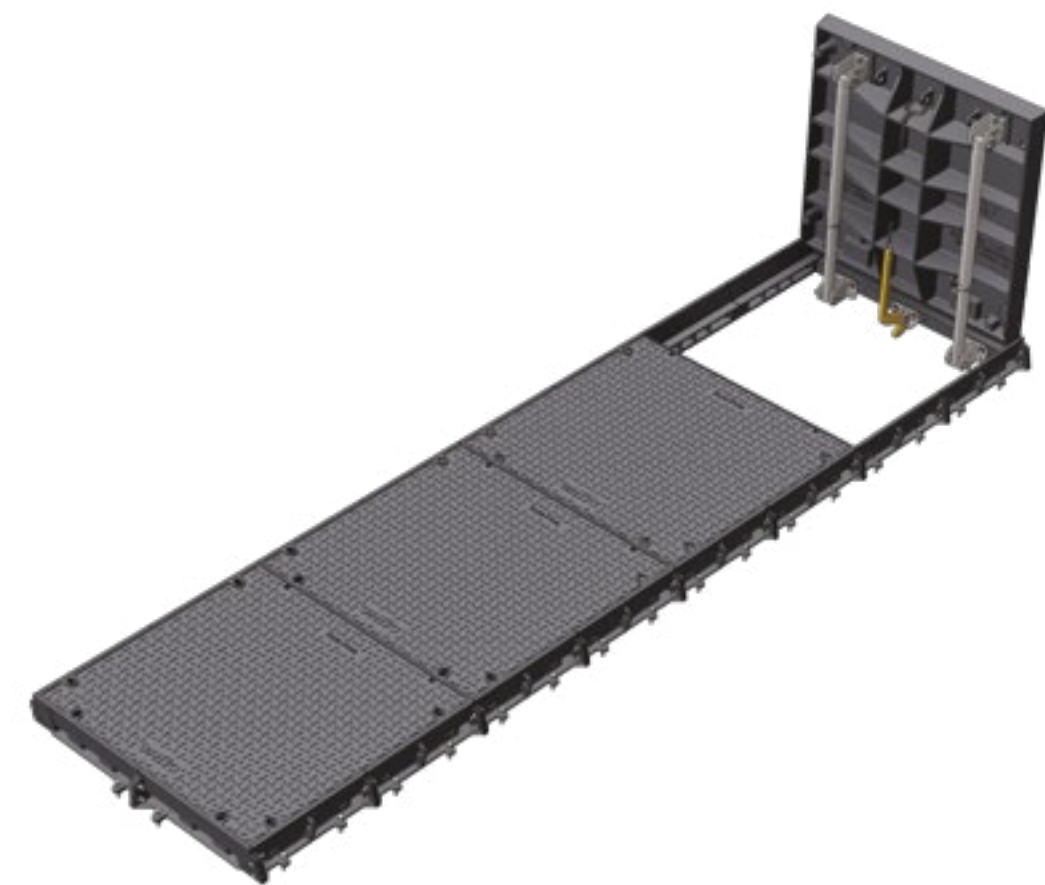
Gatic Type SFA Solid Top end hinged covers give complete access to the chamber opening when used as a single cover. When integrated as part of a duct or multispan arrangement, they provide either one person access to a chamber above a ladder or access to equipment that would need to be inspected/operated on a regular basis. Covers are available for 900 span only.



Single AssistLift cover - Type SFA



Two-part solid-top cover - Type RSF with end AssistLift cover - Type SFA



Four-part solid-top cover - Type RSF with end AssistLift cover - Type SFA

Gatic solid top covers and frames with one AssistLift covers at the reverse end of the unit. These can be supplied in standard units as per the sizes show on the chart below.

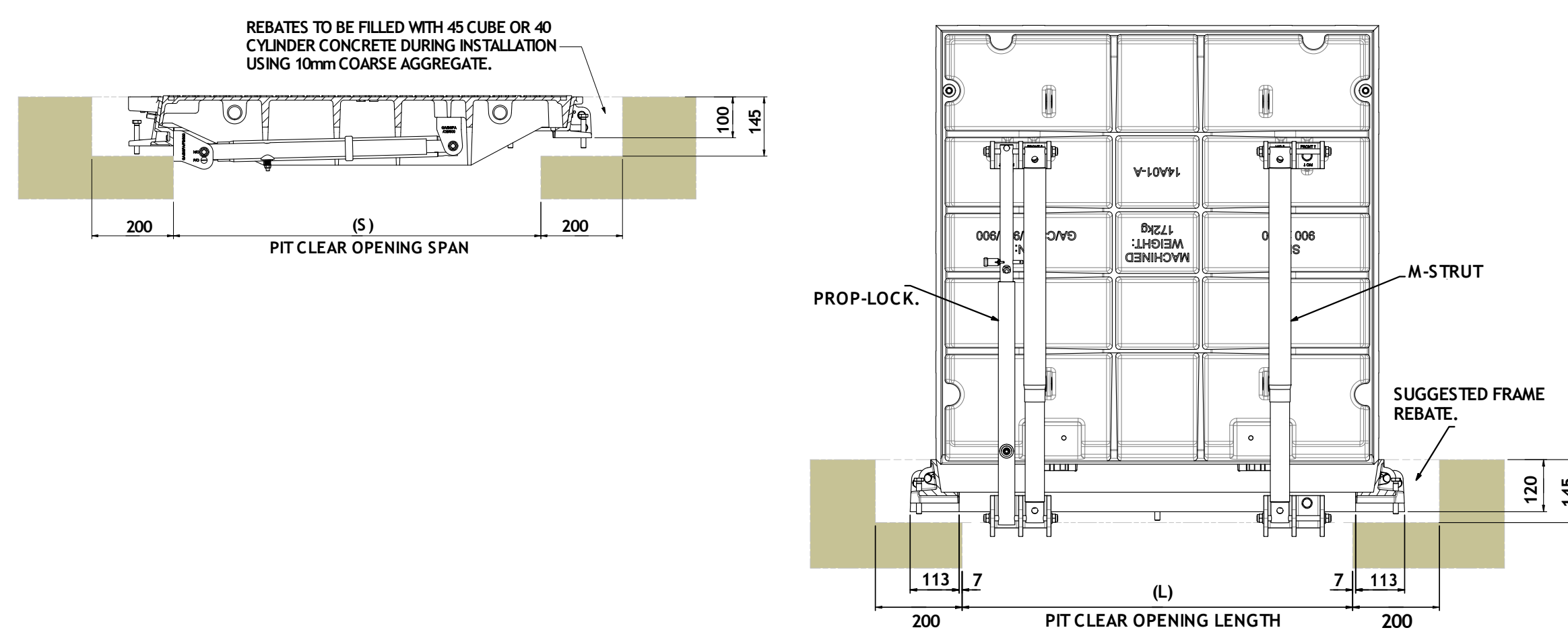
Longer lengths are available.

Number of cover parts are show in the boxes under the standard pit clear opening length (L)

Pit clear opening span (S)	Cover type	Standard pit clear opening length (L)																	
		750	900	1450	1600	1750	1900	2150	2300	2450	2600	2750	2850	2900	3000	3150	3300	3450	3550
750	SFA	1	*	*	2	2	*	3	3	3	3	3	4	*	4	4	4	4	5
900	SFA		1	*	2	2	2	*	3	3	3	3	*	3	4	4	4	4	*

Pit clear opening span (S)	Cover type	Standard pit clear opening length (L)																	
		3600	3700	3750	3850	3900	4000	4150	4250	4300	4400	4450	4550	4600	4700	4750	4850	4900	
750	SFA	4	5	4	5	*	5	5	6	5	6	5	6	5	6	5	6	*	
900	SFA	4	5	4	5	4	5	5	*	5	6	5	6	5	6	5	6	5	

Technical Diagrams



Assist Lift Multispan Covers & Frames

Gatic multispan access covers incorporate removable support beams so that much larger pit openings can be covered. The table shows standard multispan units that can have an AssistLift cover installed at the back end of the unit. In some cases, more than one AssistLift cover can be fitted

These heavy duty covers are specifically designed for airports, container ports and docks where abnormal wheel loadings from heavy vehicles are envisaged

Assist Lift covers can also be fitted to the front end of a unit providing it is in a different span to an Assist Lift cover at the back end.



For further assistance specifying your Assist Lift requirement within a multispan arrangement, please contact our technical team

		Pit clear opening span (S) mm																												
		2 parts 1 beam				3 parts 2 beams				4 parts 3 beams				5 parts 4 beams																
		1530	1680	1830	1980	2310	2460	2610	2760	2910	3060	3090	3240	3390	3540	3690	3840	3990	4140	3870	4020	4170	4320	4470	4620	4770	4920	5070	5220	
Pit clear opening length (L) mm	2 parts	1450																												
		1600																												
		1750																												
		1900																												
	3 parts	2150																												
		2300																												
		2300																												
		2450																												
	4 parts	2600																												
		2750																												
		2900																												
		2850																												
		3000																												
		3100																												
		3150																												
		3300																												
		3450																												
		3600																												
		3750																												
		3900																												

Inset lines denote pit opening Cover Beam L = Pit clear opening length S = Pit clear opening span

Pit Clear Opening Lengths shown in Green cannot be achieved with a 900 Assist Lift Cover
 Pit Clear Opening Lengths shown in Red cannot be achieved with a 750 Assist Lift Cover

Possible number of Assist Lift Covers	750	1	2	1	*	1	2	3	2	1	*	1	2	3	4	3	2	1	1	1	2	3	4	5	4	3	2	1	*
	900 Only	*	1	1	2	*	1	1	2	2	3	*	1	1	2	2	3	3	4	*	1	1	2	2	3	3	4	4	5
	Max	1	2	2	2	1	2	3	3	3	3	1	2	3	4	4	4	4	4	1	2	3	4	5	5	5	5	5	5

Solid Top Assist Lift Multispan Covers & Frames

Beam Size

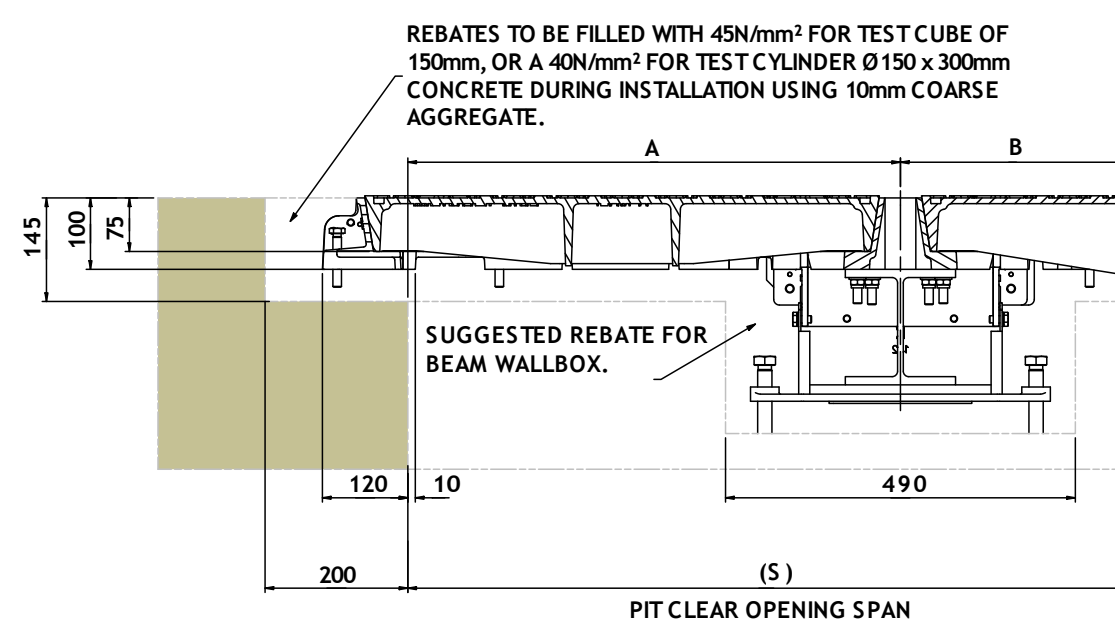
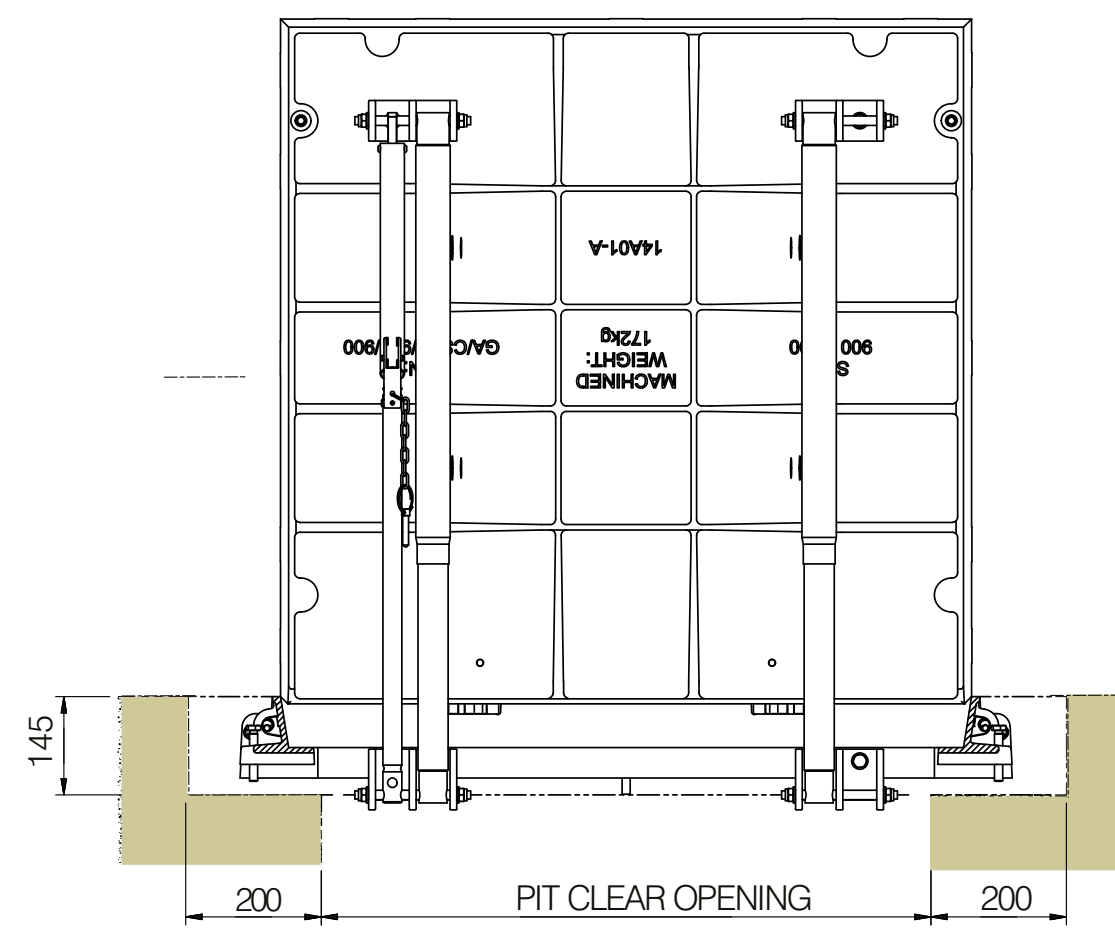
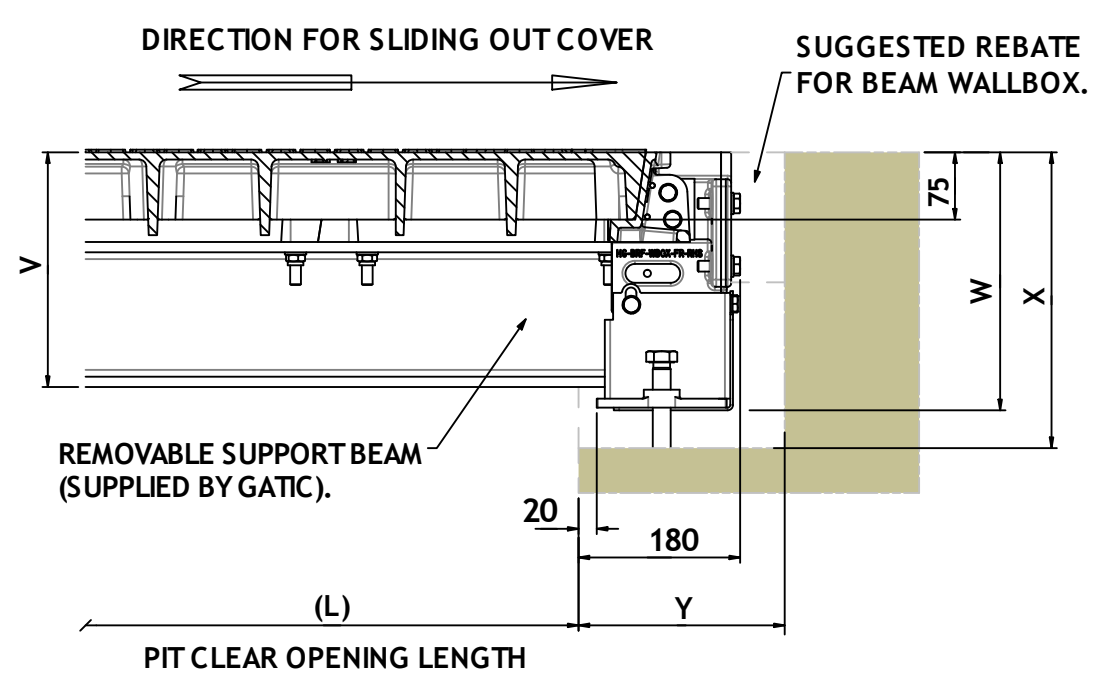
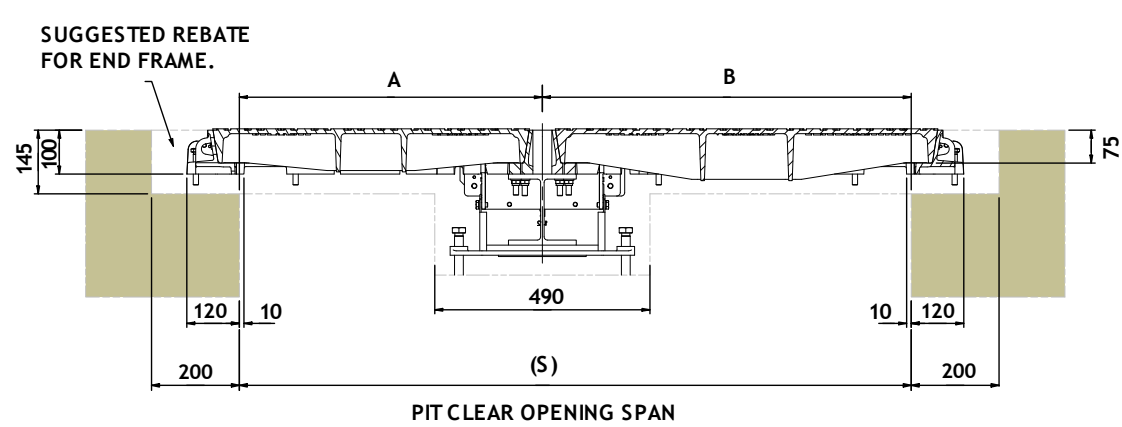
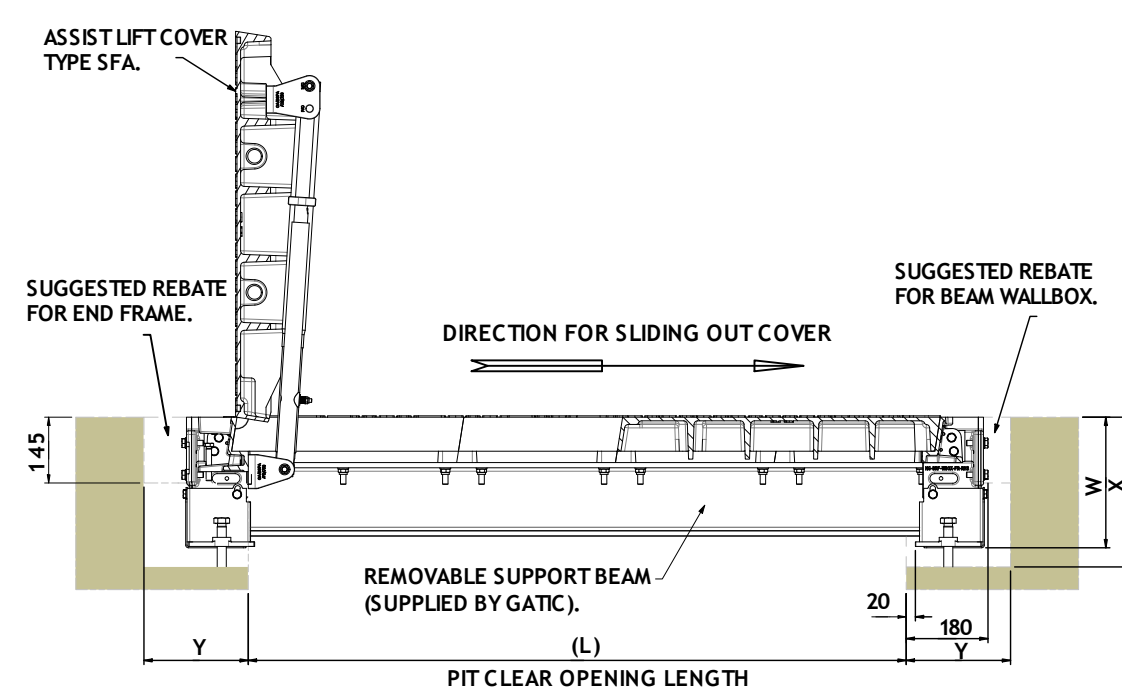
The required beam size for Multispan covers is dependent on the pit clear opening length and the loading group.

The table shows maximum beam length against beam size. The removable support beams are supplied by Gatic.

The table also indicates dimensions of the beam wallbox and rebate to suit different beam sizes. See also the accompanying section details.

Removable support beam size	Max pit clear opening length (L)	Beam wallbox dimensions			
		V	W	X	Y
356 x 171 x 67 kg/m U.B	1750	467	490	535	300
457 x 152 x 82 kg/m U.B	2600	565	595	635	300
533 x 210 x 122 kg/m U.B	3600	648	670	715	300
610 x 229 x 140 kg/m U.B	3900	720	745	790	300

Technical Diagrams



Materials

The components of Gatic LFA Assist lift covers are manufactured from the following materials: Ductile iron to BS EN 1563. M-Struts® and other parts in stainless steel grade 304.

Safe Lifting

Gatic LFA Assist lift covers have been designed to be lifted and closed by a single operator. The maximum lifting and closing force will be approximately 25kg.

M-Struts®

M-Struts® are designed for demanding environments and provide a maintenance free alternative to conventional gas struts. M-Struts® are made of grade 304 stainless steel. Unlike gas and pneumatic models, M-Struts® have no internal gases to leak or seals to fail in extreme conditions.

Loadings

Gatic LFA Assist lift covers will withstand the test load, deflection

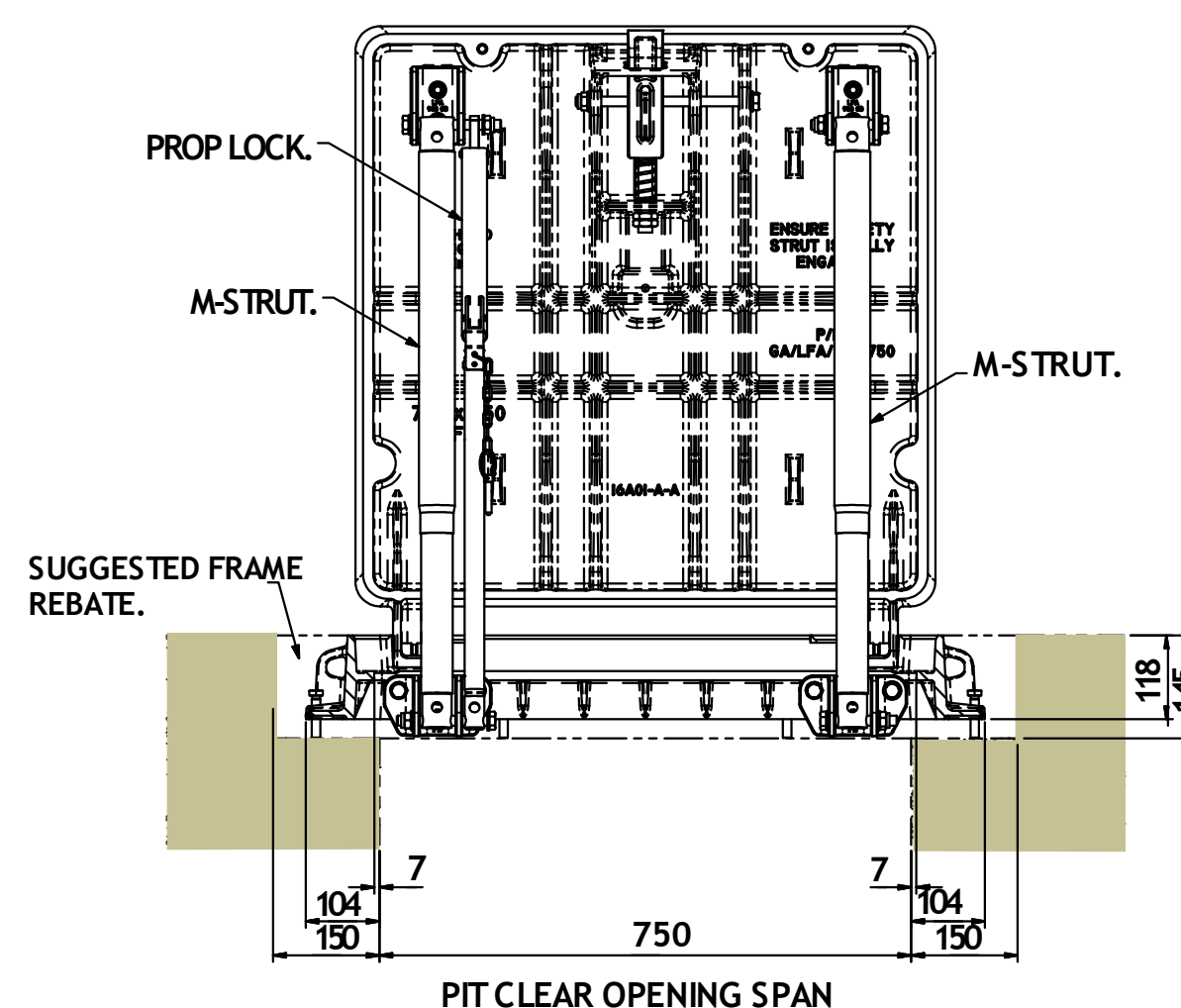
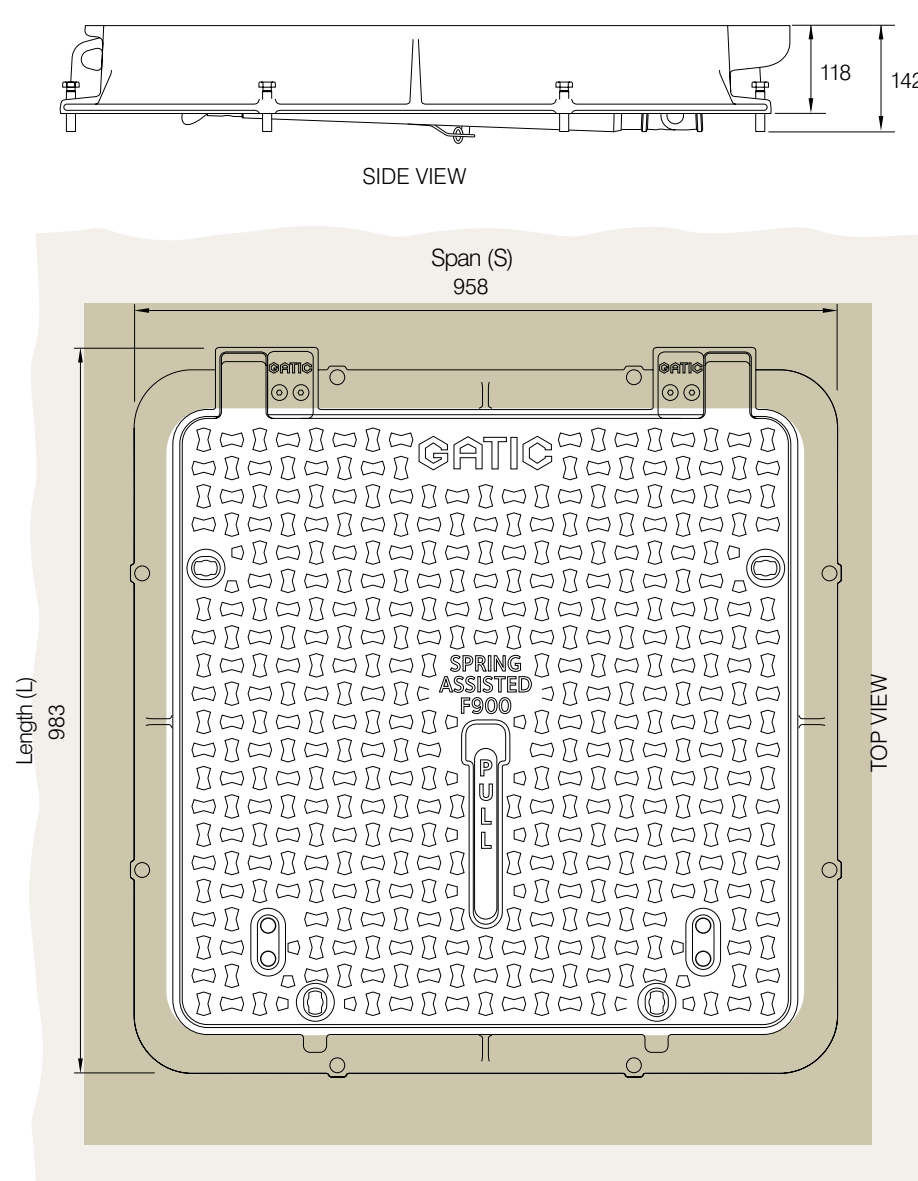
and maximum deformation criteria specified in BS EN 124 for load category F900. Gatic LFA Assist lift covers are suitable for installation in areas subject to slow moving traffic.

Features

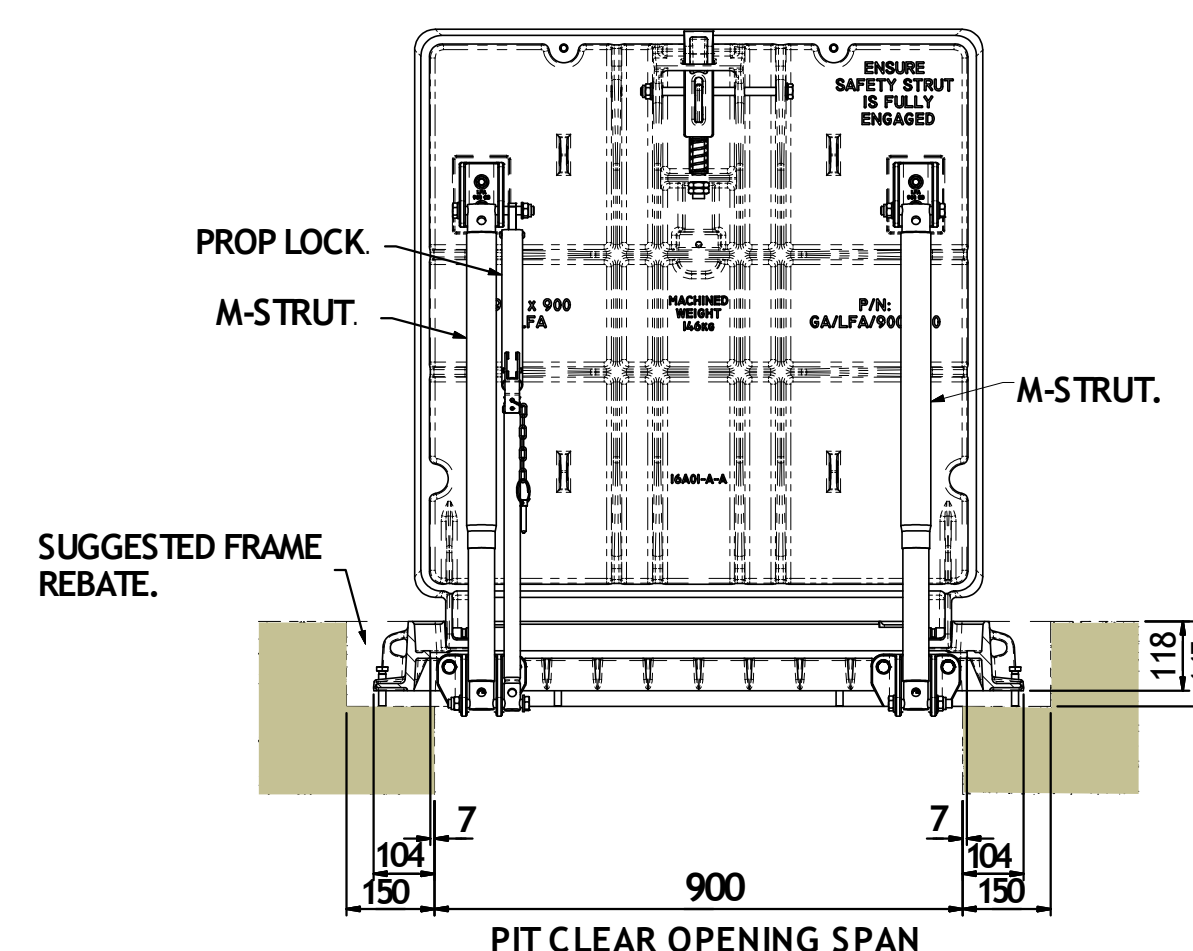
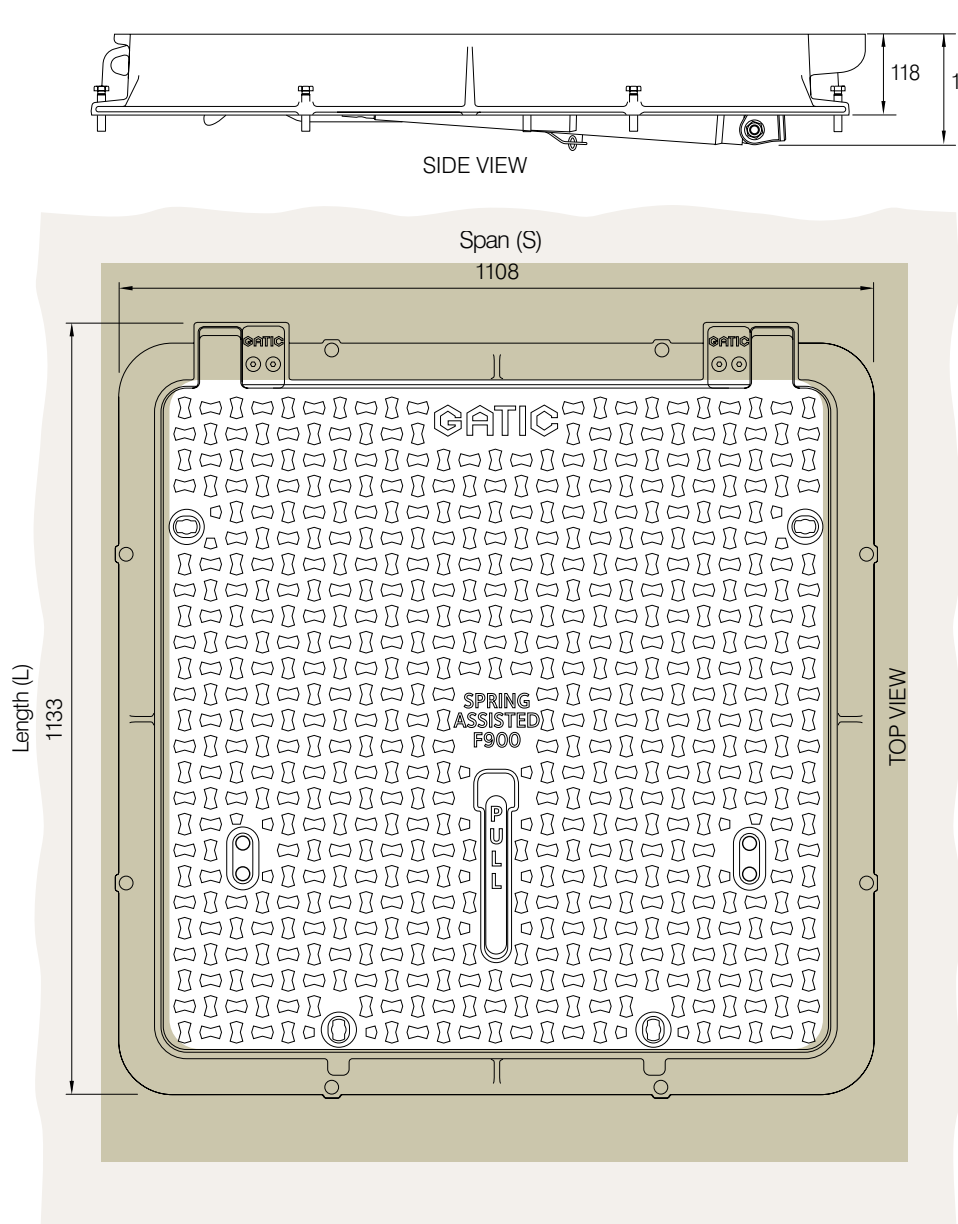
- Automatic engaging mechanism to prevent accidental closure.
- Slam latch.
- Locking feature - single Allen key required for opening.
- Integrated lifting handle.
- For sealed Assist lift options please see page 28 - 35



Pit clear opening (mm)	Overall	Frame depth	Overall depth	Total weight	Load rating
750 x 750	983 x 958	118	142	202kg	F900



Pit clear opening (mm)	Overall	Frame depth	Overall depth	Total weight	Load rating
900 x 900	1133 x 1108	118	162	252kg	F900



Solid Top Circular Covers

Suitable up to F900

Each Circular cover is supplied with two locking bolts as standard.

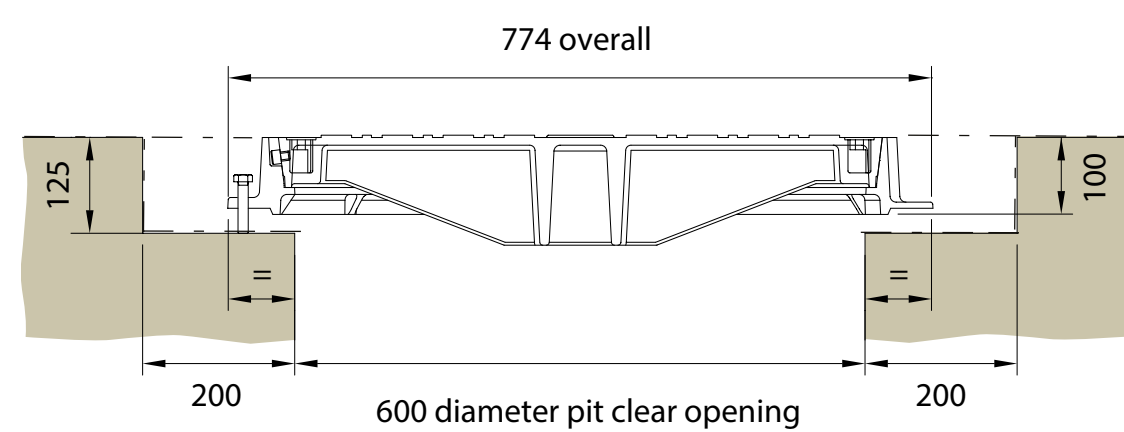


To specify, state

1. Loading group
2. Pit clear opening size
3. Cover type

Pit clear opening sizes	Cover type	Overall frame size	Suggested rebate size L x W x D
600mm dia.	GC	775 dia.	1000 dia.
750mm dia.	GC	925 dia.	1150 dia.
900mm dia.	GC	1075 dia.	1300 dia.

Technical Diagrams

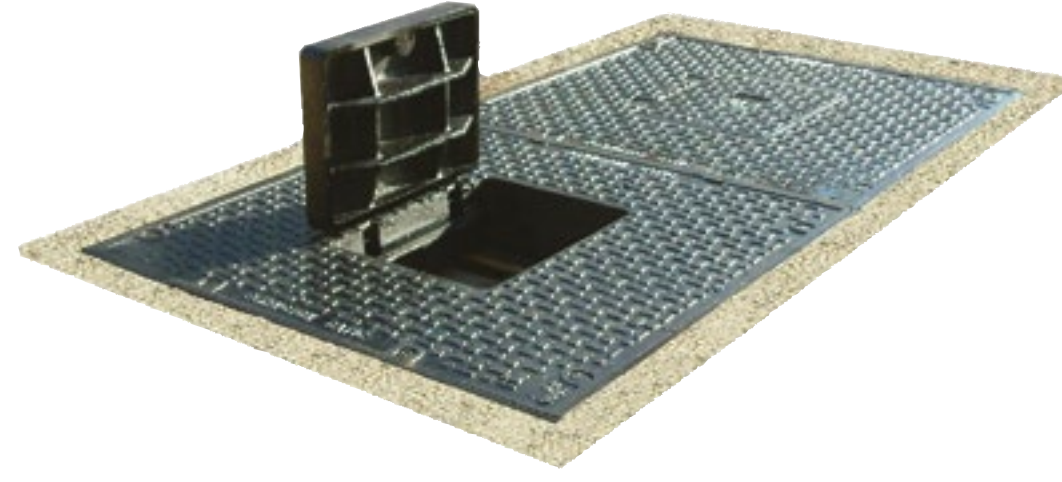


TYPE GC

Hinged Hydrant Covers

Hydrant lids can be supplied as single covers or set into a larger cover. This provides localised access without removing the larger cover.

Hydrants fitted within larger covers are 400 x 300 clear opening, centrally positioned. Can be incorporated into Multi-part Cover Systems.



Single and Double Covers Fitted with 400 x 300 Hinged Hydrant

Pit clear opening sizes	Cover type	Overall frame size length x width x depth	Suggested rebate size length x width x depth
750 x 750	RSF/H	850 x 940 x 100	1100 x 1100 x 125
900 x 900	RSF/H	1120 x 1140 x 100	1300 x 1300 x 125
1600 x 750	RSF/H	1650 x 940 x 100	1800 x 1100 x 125
1900 x 900	RSF/H	2120 x 1140 x 100	2300 x 1300 x 125

Single and double units - including a 400 x 300 hinged hydrant cover centrally positioned in each cover.

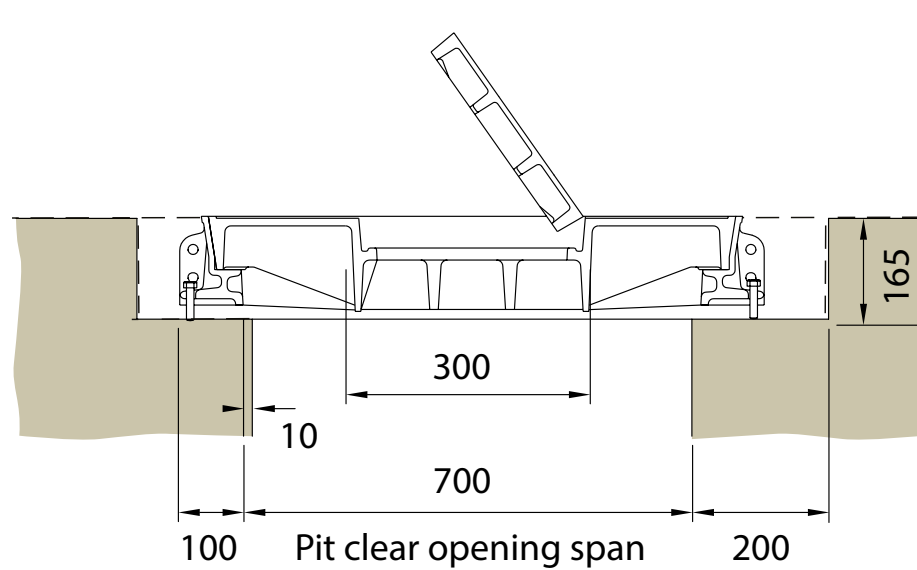
If only one cover is required as a hydrant, please contact our technical department.

Hydrant Covers

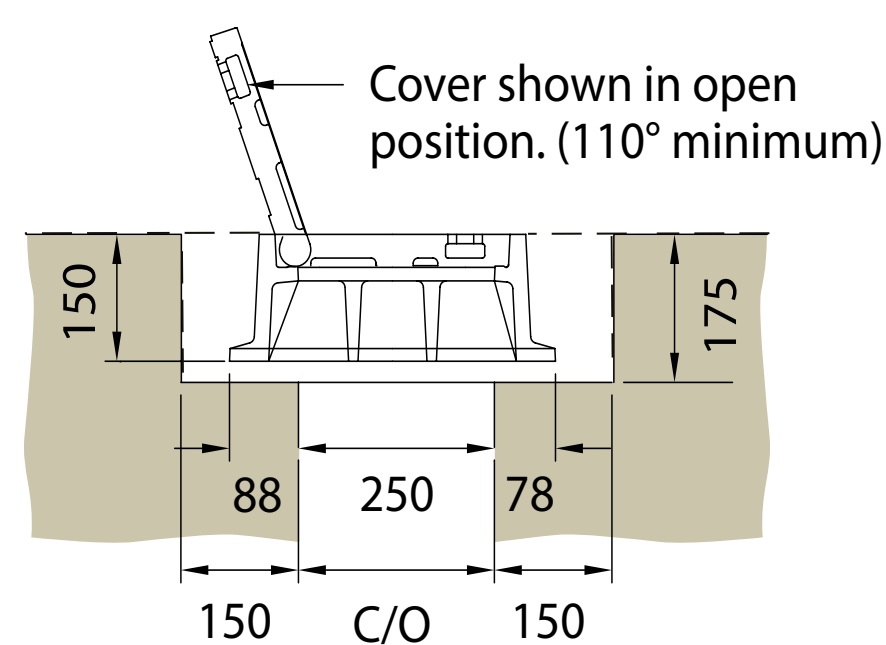
Pit clear opening sizes	Cover type	Overall frame size length x width x depth	Suggested rebate size length x width x depth
225 x 225	FH	391 x 391 x 150	525 x 525 x 175
500 x 250	FH	666 x 416 x 150	800 x 550 x 175

Technical Diagrams

Double hydrant covers



TYPE RSF/H



TYPE FH



E600

Areas of high wheel loads, some aircraft hard-standings, dockyards and other areas where heavy duty plant and vehicles may be used

Loading Group E600 Introduction

Areas of high wheel loads, some aircraft hard-standings, dockyards and other areas where heavy duty plant and vehicles may be used

20 tonne wheel load, test load 600kN - Suitable for:

- Some airfield pavements dockyards
- Dockyards
- Other areas where single slow moving wheel loads up to 20 tonne may be encountered

E600 assemblies are available with a choice of cover designs - recessed or solid top.



Recessed for concrete infill

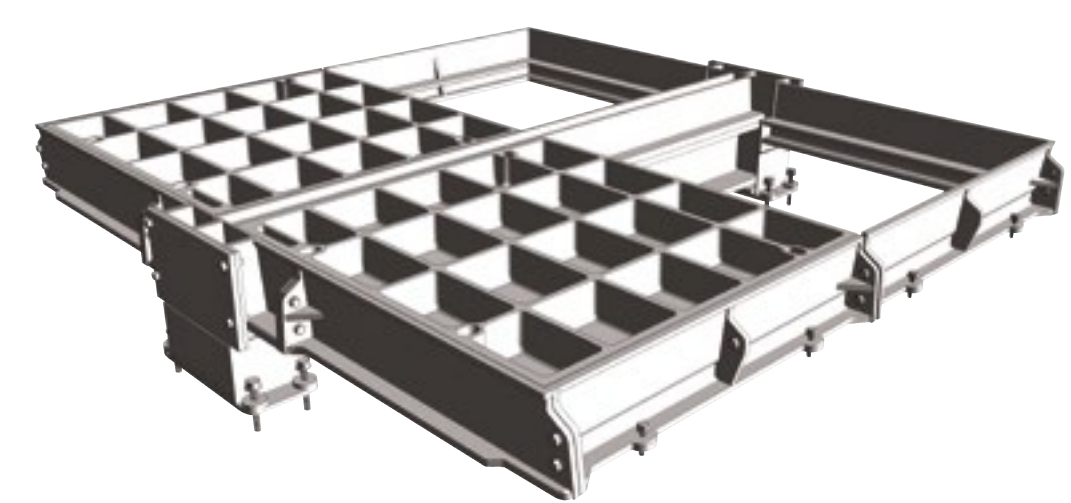
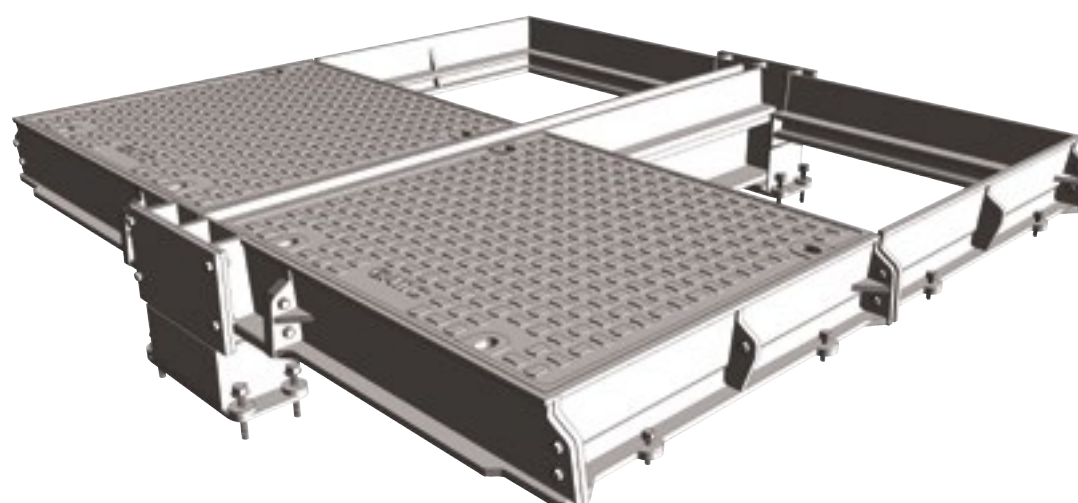
Recessed covers are available in a choice of designs designated by a 'Type' reference. E600 recessed covers are available as Type DLF, DM, DM/F, RRF. Section drawings of the different recessed cover types are shown on the following pages.

To prevent movement of covers in high traffic conditions, we recommend the use of a factory fitted vibration-resistant locking system. Can be fitted to recessed covers only. See page 14.

Solid top

Solid top cover types are lighter in weight than recessed covers, and feature an anti-slip surface.

Solid top covers are denoted by the code Type RSF depicted in section on the following pages.



Product Ranges

Single covers and frames



Duct covers and frames



Continuous trench covers and frames



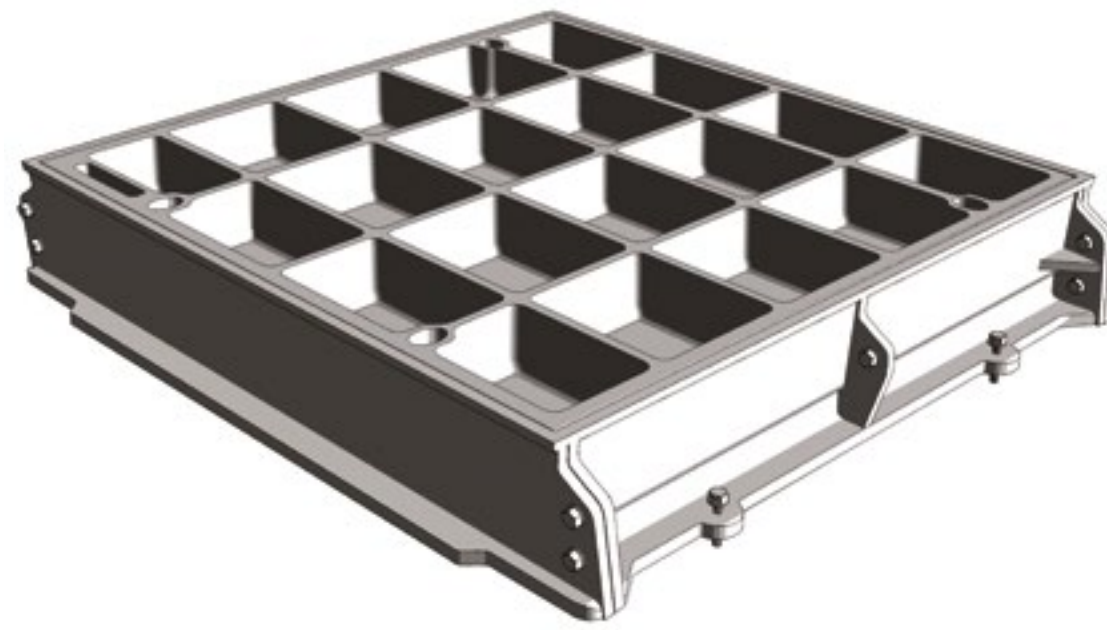
Multispan covers and frames



To prevent movement of covers in high traffic conditions, we recommend the use of a factory fitted vibration-resistant locking system. These can be fitted to recessed covers only.

If you are uncertain as to the adequacy of covers conforming to a particular loading, we recommend specifying covers in a higher loading group. For example, if in doubt about covers in Loading Group E600, we recommend you specify covers in Loading Group F900.

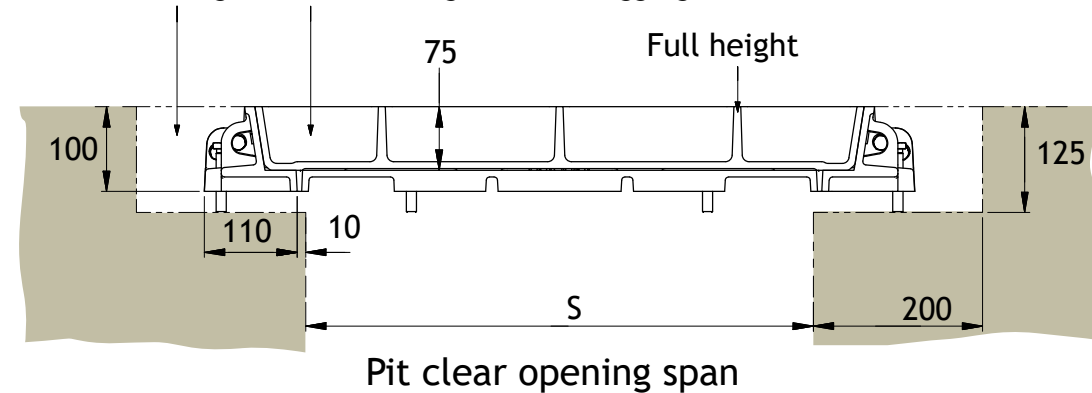
Single Recessed Covers and Frames



Pit clear opening sizes L x S	Cover type	Overall frame size length x width x depth	Suggested rebate size length x width x depth
750 x 300	DLF	900 x 540 x 75	1050 x 600 x 100
600 x 450	RRF	750 x 690 x 100	1000 x 850 x 125
750 x 450	RRF	900 x 690 x 100	1150 x 850 x 125
600 x 600	RRF	750 x 840 x 100	1000 x 1000 x 125
750 x 600	RRF	900 x 840 x 100	1150 x 1000 x 125
900 x 600	RRF	1050 x 840 x 100	1300 x 1000 x 125
600 x 750	RRF	750 x 990 x 100	1000 x 1150 x 125
750 x 750	RRF	900 x 990 x 100	1150 x 1150 x 125
900 x 750	RRF	1050 x 990 x 100	1300 x 1150 x 125
600 x 900	RRF	750 x 1140 x 100	1000 x 1300 x 125
750 x 900	RRF	900 x 1140 x 100	1150 x 1300 x 125
900 x 900	RRF	1120 x 1140 x 100	1300 x 1300 x 125
600 x 1050	RRF	750 x 1290 x 100	1000 x 1450 x 125
600 x 1050	DM	750 x 1290 x 140	1000 x 1450 x 165
750 x 1050	DM	970 x 1270 x 140	1150 x 1450 x 165
1000 x 1050	DM	1220 x 1270 x 140	1400 x 1450 x 165
600 x 1200	RRF	750 x 1440 x 100	1000 x 1600 x 125
750 x 1200	RRF	900 x 1440 x 100	1150 x 1600 x 125
600 x 1500	DM/F	820 x 1720 x 140	1000 x 1900 x 165
750 x 1500	DM/F	970 x 1720 x 140	1150 x 1900 x 165

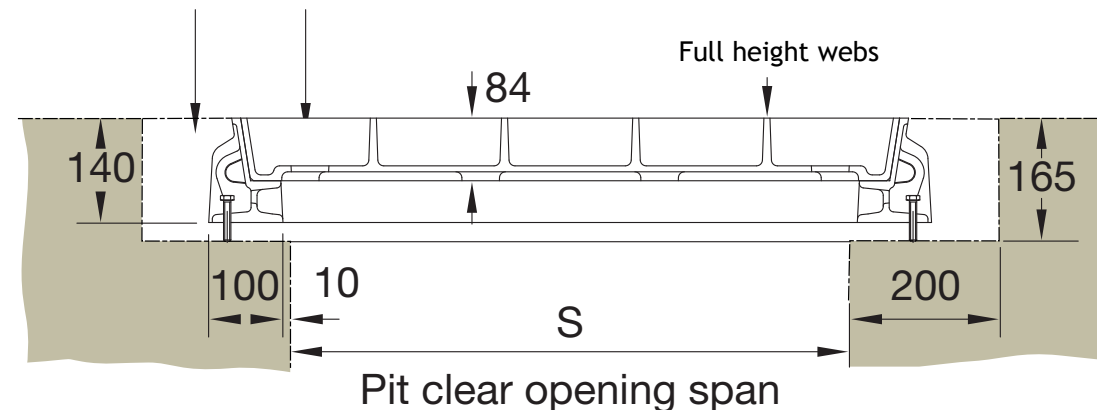
Technical Diagrams

Cover & rebates to be filled with 45 cube or 40 cylinder concrete during installation using 100 coard aggregate



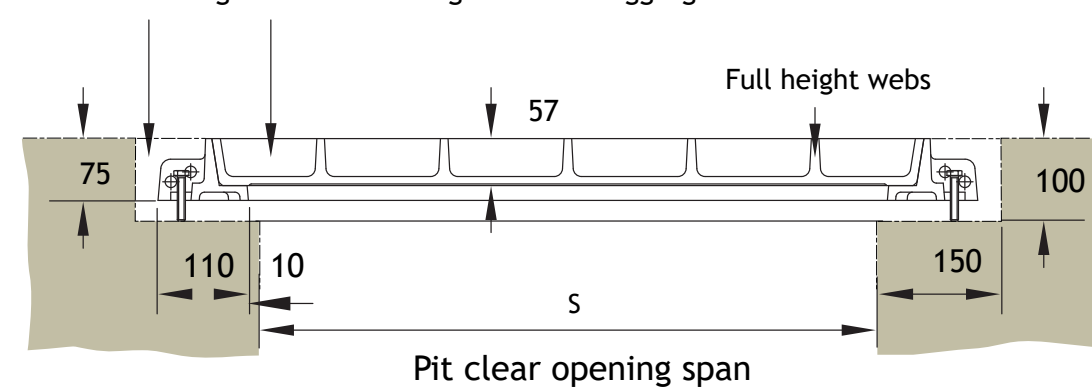
Type RRF

Cover & rebates to be filled with 45 cube or 40 cylinder concrete during installation using 100 coard aggregate

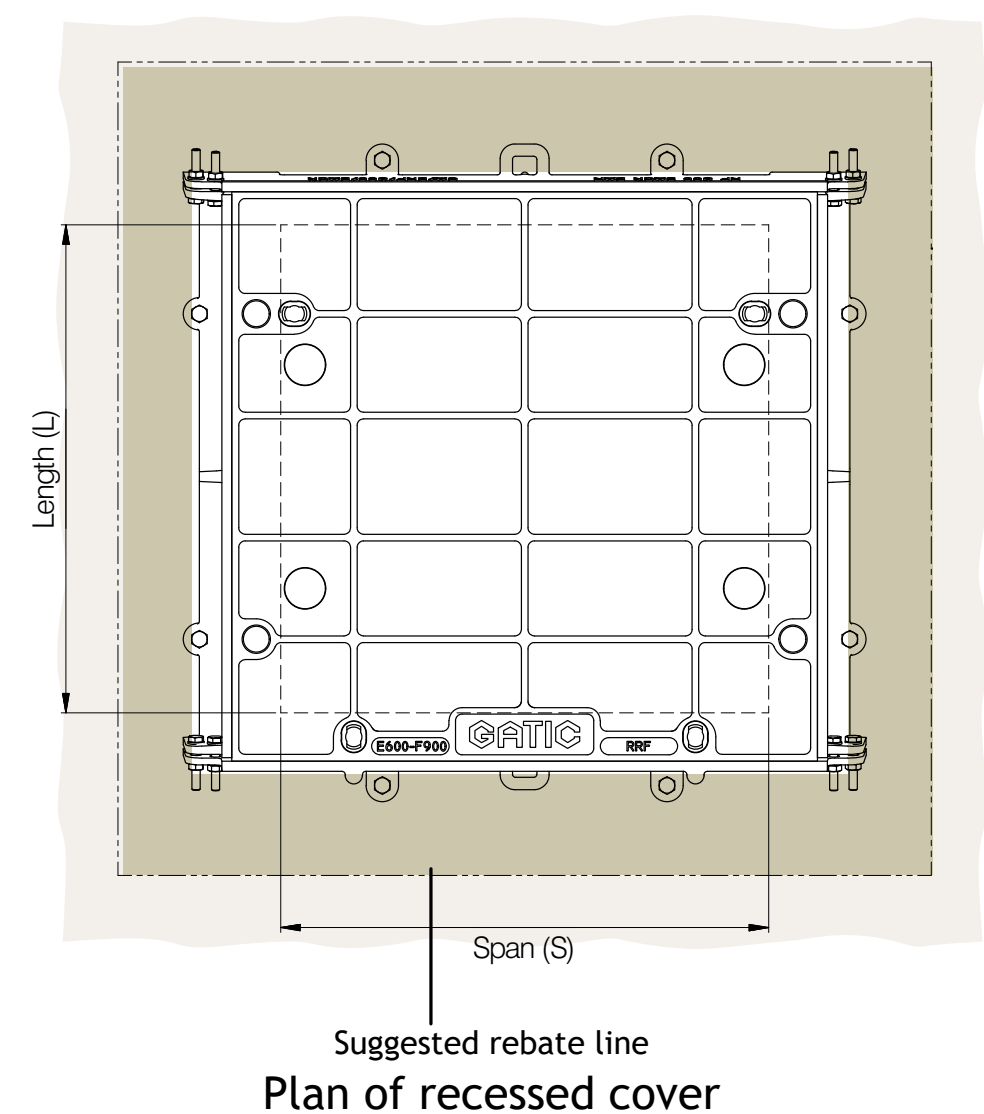


Type DM / DM/F

Cover & rebates to be filled with 45 cube or 40 cylinder concrete during installation using 100 coard aggregate



Type DLF



Single Solid Top Covers and Frames

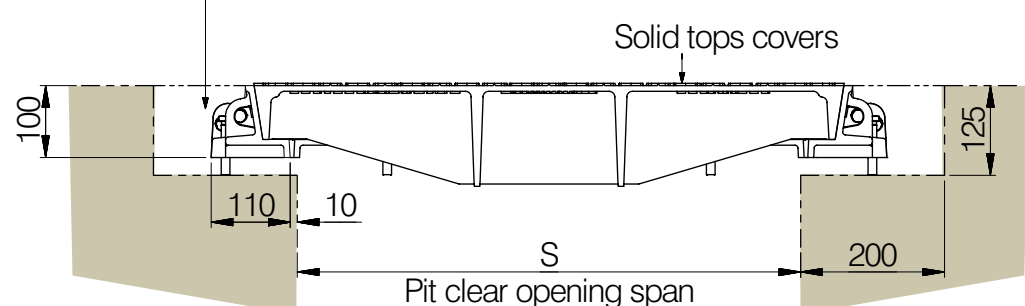


Pit clear opening sizes L x S	Cover type	Overall frame size length x width x depth	Suggested rebate size length x width x depth
600 x 600	RSF	750 x 840 x 100	1000 x 1000 x 125
750 x 600	RSF	900 x 840 x 100	1150 x 1000 x 125
900 x 600	RSF	1050 x 840 x 100	1300 x 1000 x 125
700 x 700	RSF	850 x 940 x 100	1100 x 1100 x 125
600 x 750	RSF	750 x 990 x 100	1000 x 1150 x 125
750 x 750	RSF	900 x 990 x 100	1150 x 1150 x 125
900 x 750	RSF	1050 x 990 x 100	1300 x 1150 x 125
600 x 900	RSF	750 x 1140 x 100	1000 x 1300 x 125
750 x 900	RSF	900 x 1140 x 100	1150 x 1300 x 125
900 x 900	RSF	1120 x 1140 x 100	1300 x 1300 x 125
1000 x 1000	RSF	1220 x 1240 x 100	1400 x 1400 x 125

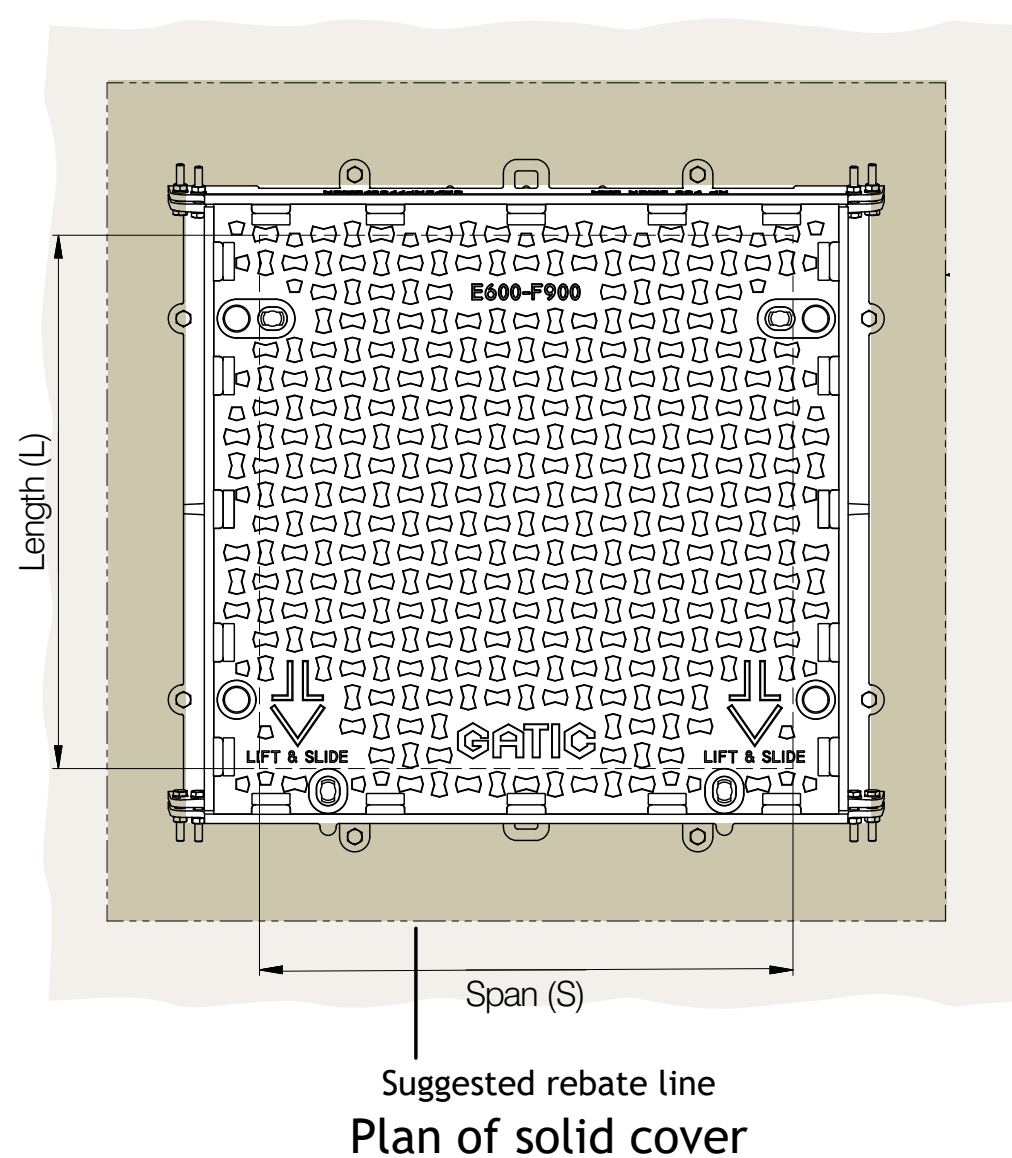
Rebates to filled with 45 cube or 40 cylinder concrete during installation using 10mm coarse aggregate

Technical Diagrams

Rebates to be filled with 45 cube or 40 cylinder concrete during installation using 10mm coarse aggregate

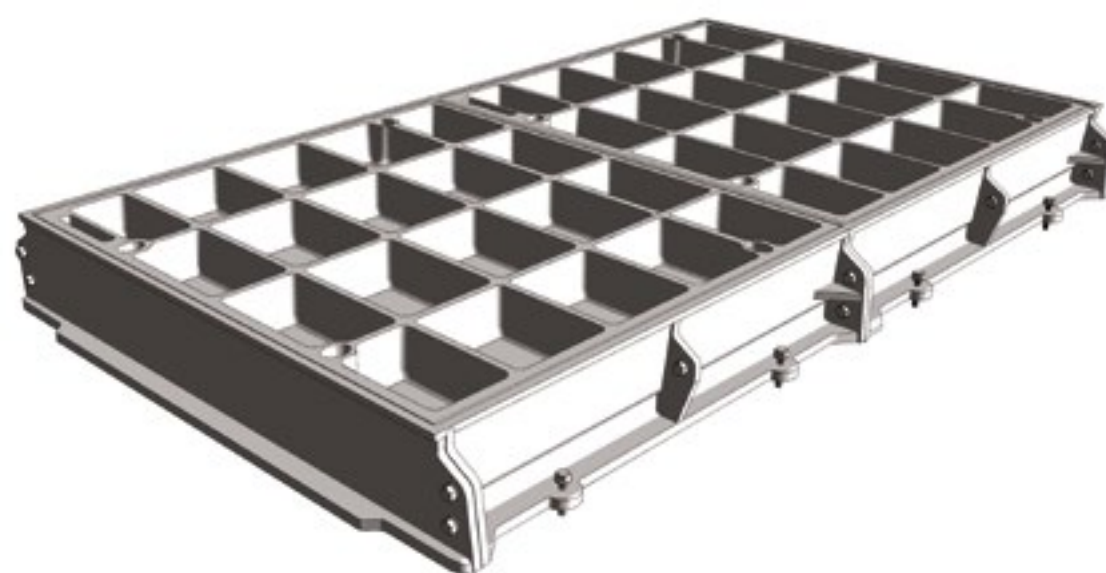


Type RSF



Suggested rebate line
Plan of solid cover

Duct Recessed Covers and Frames

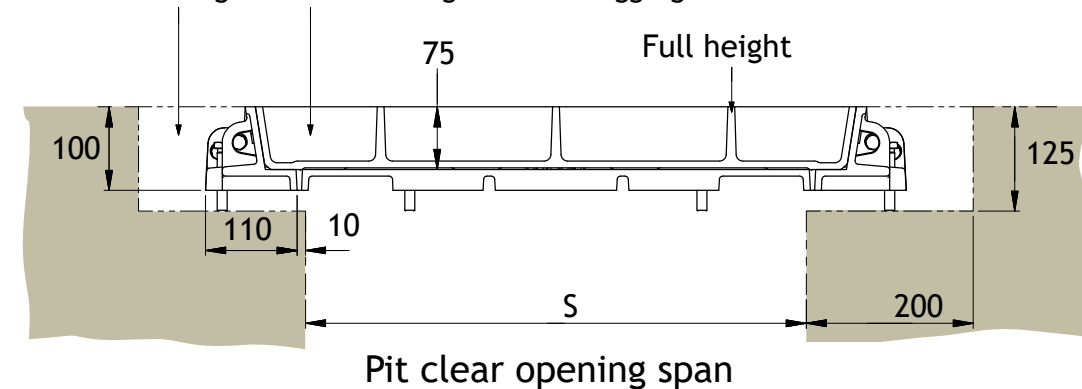


Pit clear opening span (S)	Cover type	Suggested rebate size length x width x depth	Standard pit clear opening length (L)											
			1300	1450	1600	1750	1900	2000	2150	2300	2450	2600	2700	2750
300	DLF	(L + 300) x 600 x 100	*	*	2	*	*	*	*	*	3	*	*	*
450	RRF	(L + 400) x 850 x 125	2	2	2	*	*	3	3	3	3	*	4	*
600	RRF	(L + 400) x 1000 x 125	2	2	2	2	2	3	3	3	3	3	4	3
750	RRF	(L + 400) x 1150 x 125	2	2	2	2	2	3	3	3	3	3	4	3
900	RRF	(L + 400) x 1300 x 125	2	2	2	2	2	3	3	3	3	3	4	3
1050	RRF	(L + 400) x 1450 x 125	2	*	*	*	*	3	*	*	*	*	4	*
1050	DM	(L + 400) x 1450 x 165	2	2	2	*	*	3	3	3	3	*	4	*
1200	RRF	(L + 400) x 1600 x 125	2	2	2	*	*	3	3	3	3	*	4	*
1500	DM/F	(L + 400) x 1900 x 165	2	2	2	*	*	3	3	3	3	*	4	*

Pit clear opening span (S)	Cover type	Suggested rebate size length x width x depth	Standard pit clear opening length (L)											
			2850	2900	3000	3150	3300	3400	3550	3700	3850	3900	4000	4150
300	DLF	(L + 300) x 600 x 100	*	*	*	*	4	*	*	*	*	*	*	5
450	RRF	(L + 400) x 850 x 125	4	*	4	4	4	5	5	5	5	*	5	5
600	RRF	(L + 400) x 1000 x 125	4	3	4	4	4	5	5	5	5	4	5	5
750	RRF	(L + 400) x 1150 x 125	4	3	4	4	4	5	5	5	5	4	5	5
900	RRF	(L + 400) x 1300 x 125	4	3	4	4	4	5	5	5	5	4	5	5
1050	RRF	(L + 400) x 1450 x 125	*	*	*	*	*	5	*	*	*	*	*	*
1050	DM	(L + 400) x 1450 x 165	4	*	4	4	4	5	5	5	5	*	5	5
1200	RRF	(L + 400) x 1600 x 125	4	*	4	4	4	5	5	5	5	*	5	5
1500	DM/F	(L + 400) x 1900 x 165	4	*	4	4	4	5	5	5	5	*	5	5

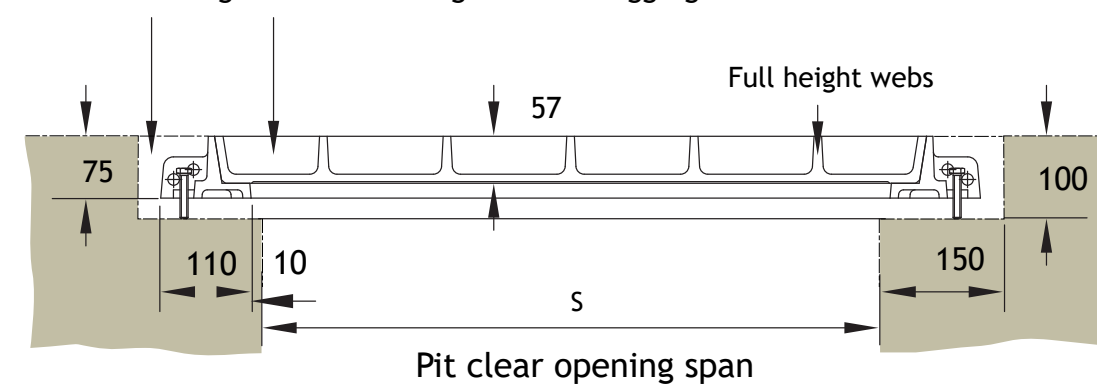
Technical Diagrams

Cover & rebates to be filled with 45 cube or 40 cylinder concrete during installation using 100 coard aggregate



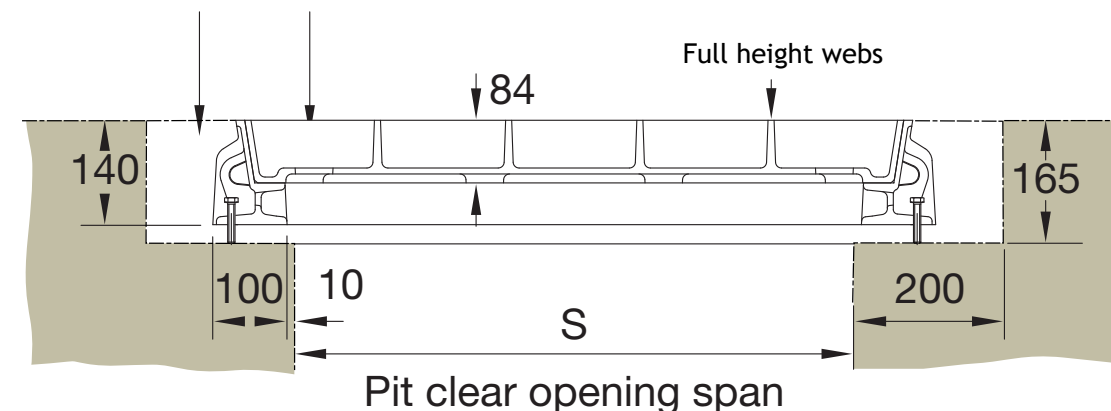
Type RRF

Cover & rebates to be filled with 45 cube or 40 cylinder concrete during installation using 100 coard aggregate

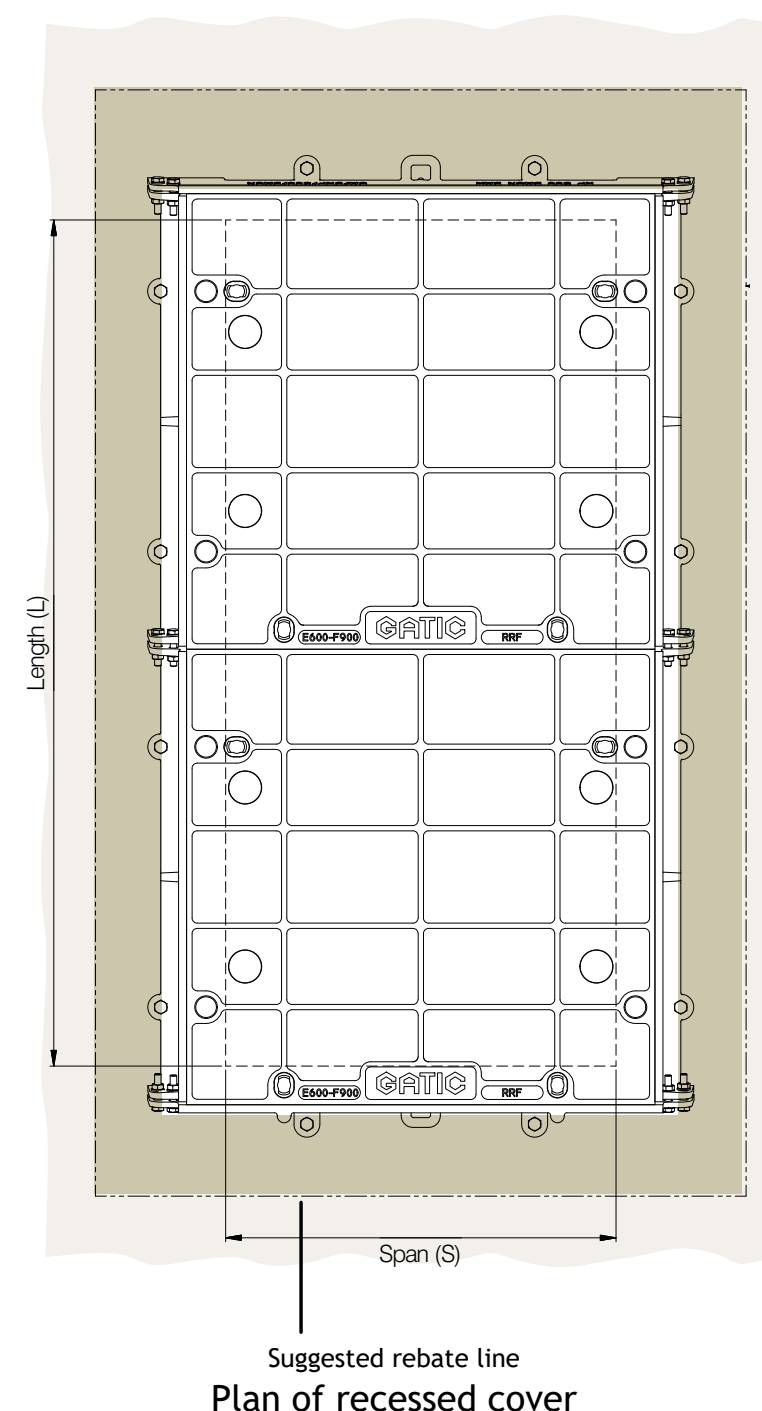


Type DLF

Cover & rebates to be filled with 45 cube or 40 cylinder concrete during installation using 100 coard aggregate



Type DM / DM/F



Duct Solid Top Covers and Frames

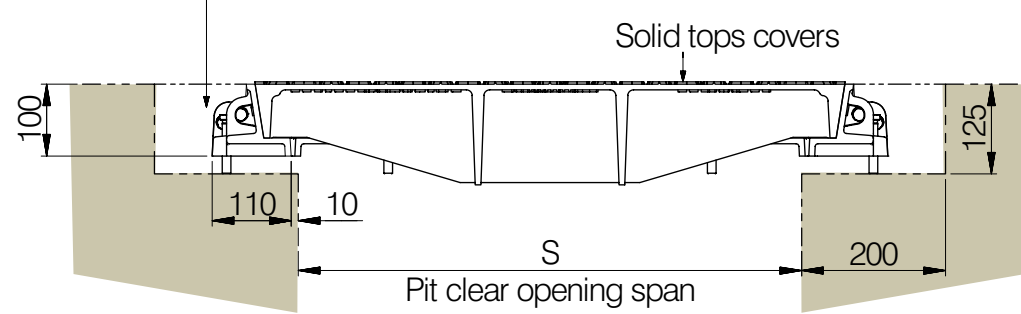


Pit clear opening span (S)	Cover type	Suggested rebate size length x width x depth	Standard pit clear opening length (L)												
			1300	1450	1500	1600	1750	1900	2000	2150	2300	2450	2600	2700	2750
600	RSF	(L + 400) x 1000 x 125	2	2	*	2	2	2	3	3	3	3	3	4	3
700	RSF	(L + 400) x 1100 x 125	*	*	2	*	*	*	*	*	3	*	*	*	*
750	RSF	(L + 400) x 1150 x 125	2	2	*	2	2	2	3	3	3	3	3	4	3
900	RSF	(L + 400) x 1300 x 125	2	2	*	2	2	2	3	3	3	3	3	4	3

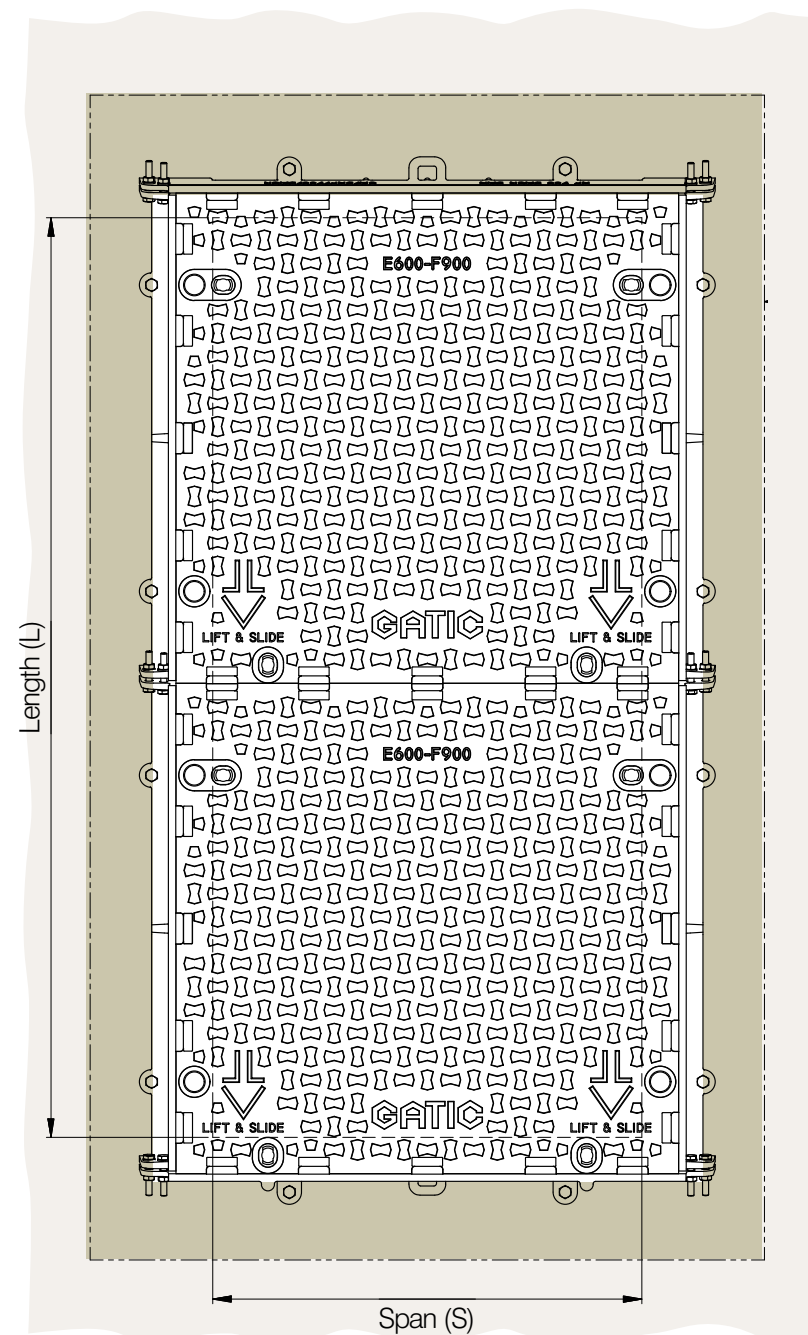
Pit clear opening span (S)	Cover type	Suggested rebate size length x width x depth	Standard pit clear opening length (L)												
			2850	2900	3000	3100	3150	3300	3400	3550	3700	3850	3900	4000	4150
600	RSF	(L + 400) x 1000 x 125	4	3	4	*	4	4	5	5	5	5	4	5	5
700	RSF	(L + 400) x 1100 x 125	*	*	*	4	*	*	*	*	*	*	5	*	*
750	RSF	(L + 400) x 1150 x 125	4	3	4	*	4	4	5	5	5	5	4	5	5
900	RSF	(L + 400) x 1300 x 125	4	3	4	*	4	4	5	5	5	5	4	5	5

Technical Diagrams

Rebates to be filled with 45 cube or 40 cylinder concrete during installation using 10mm coarse aggregate

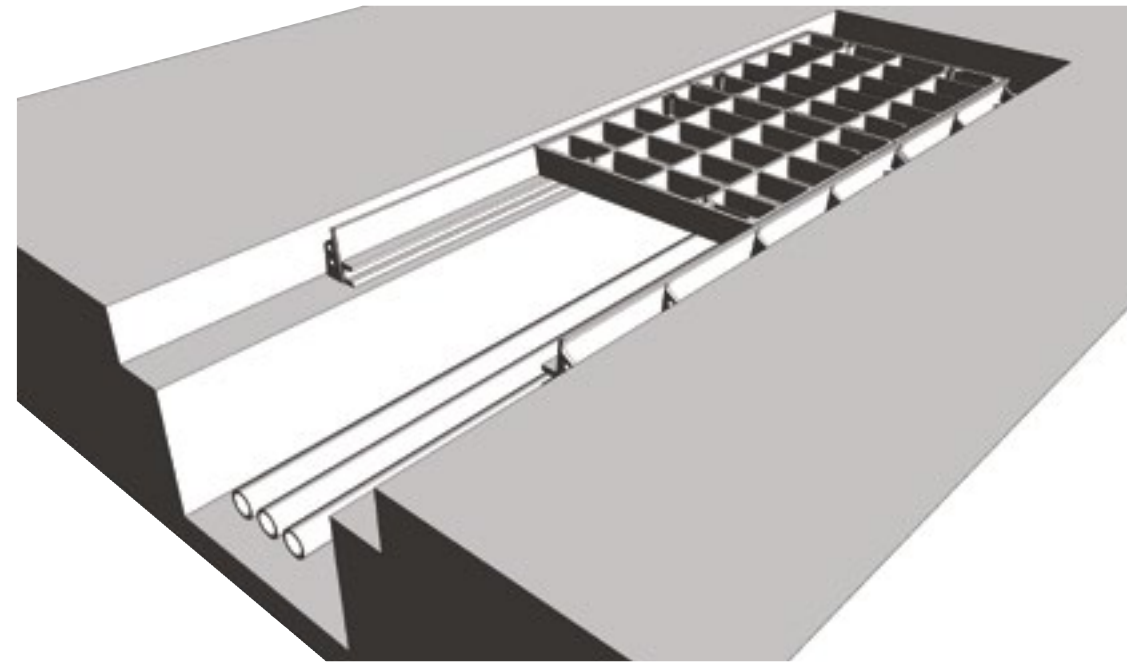


Type RSF



Suggested rebate line
Plan of solid cover

Continuous Recessed Covers and Frames



Pit clear opening span	Cover type
300	DLF
450	RRF
600	RRF
750	RRF
900	RRF
1050	RRF
1200	RRF
1500	DM/F

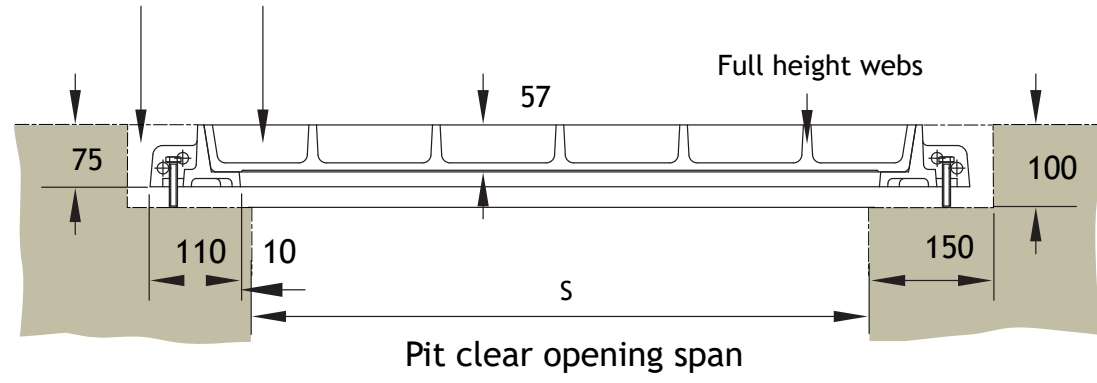
Gatic covers can be formed to make continuous trenches or layouts providing total access to services below.

Construction drawings are required so that Gatic cover layout drawings can be prepared.

For type DM/F refer to our technical department

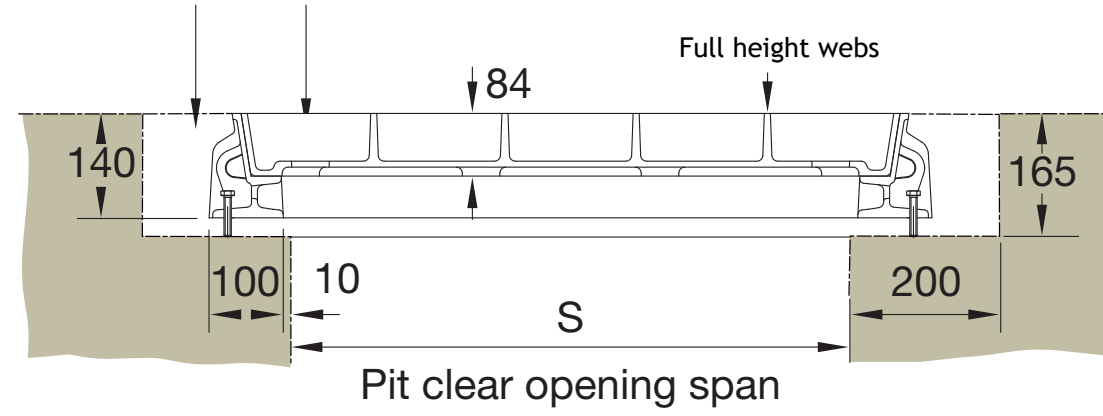
Technical Diagram

Cover & rebates to be filled with 45 cube or 40 cylinder concrete during installation using 100 coard aggregate



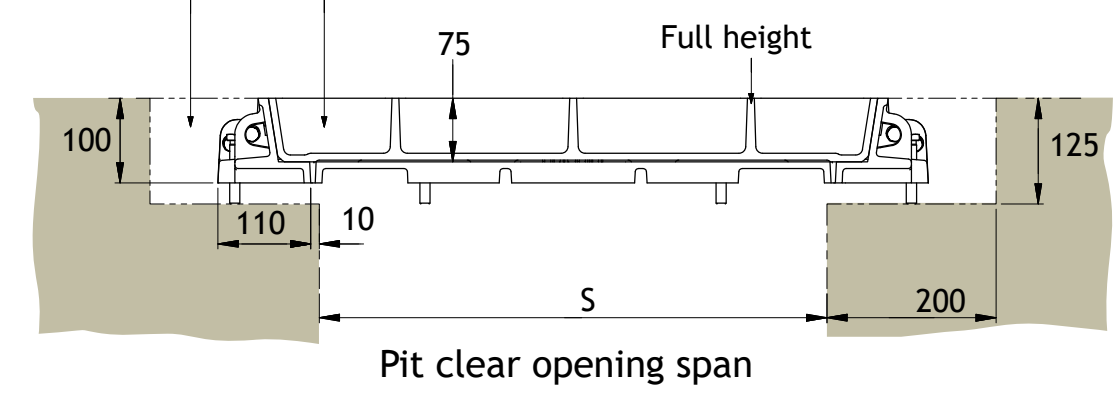
Type DLF

Cover & rebates to be filled with 45 cube or 40 cylinder concrete during installation using 100 coard aggregate

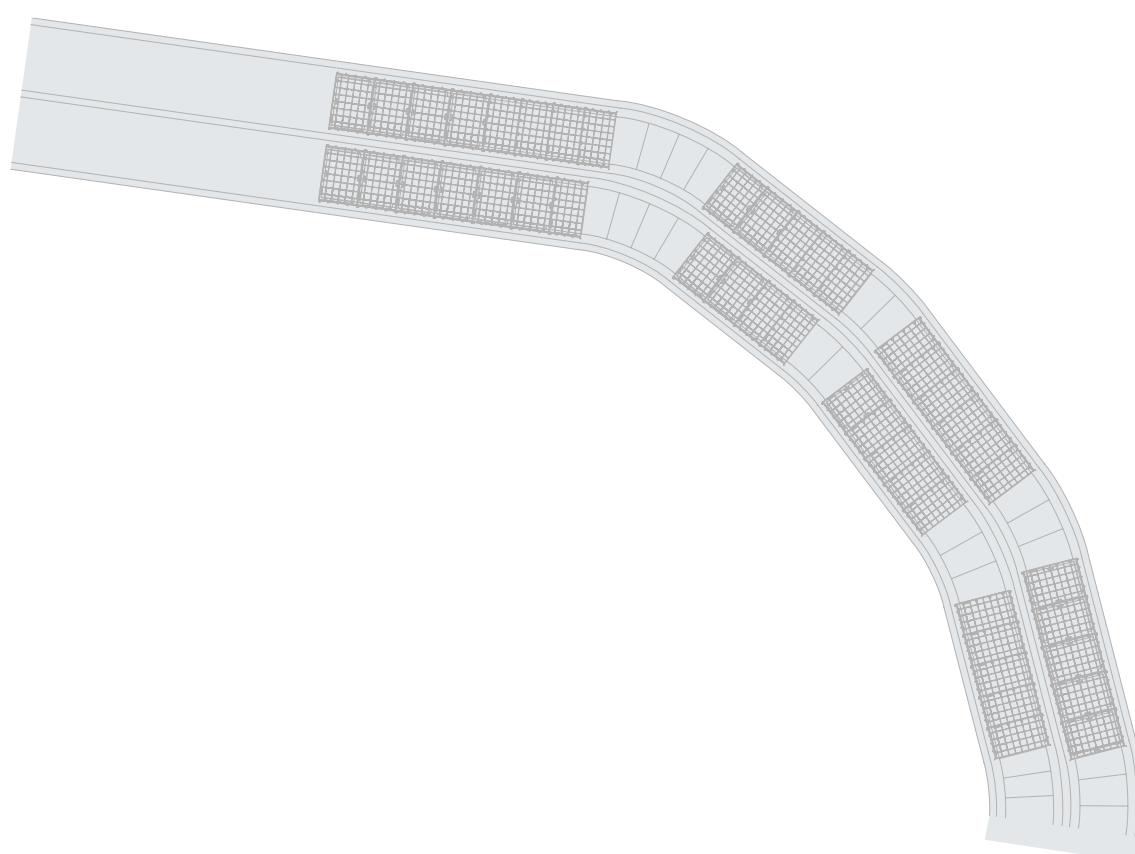


Type DM/F

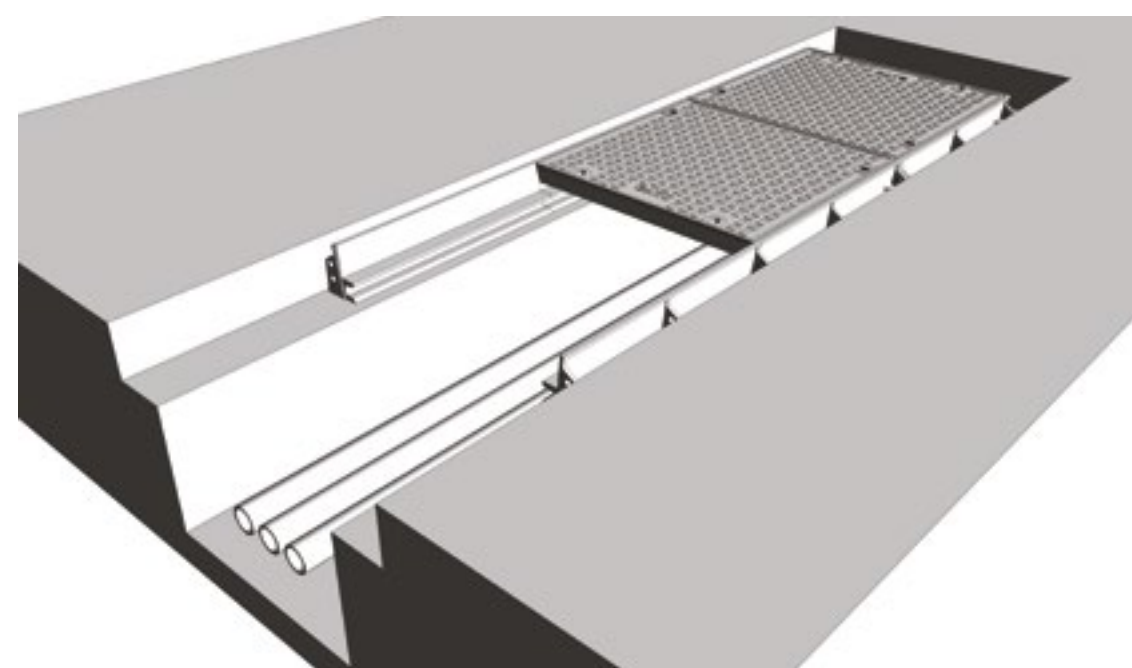
Cover & rebates to be filled with 45 cube or 40 cylinder concrete during installation using 100 coard aggregate



Type RRF



Continuous Solid Top Covers and Frames



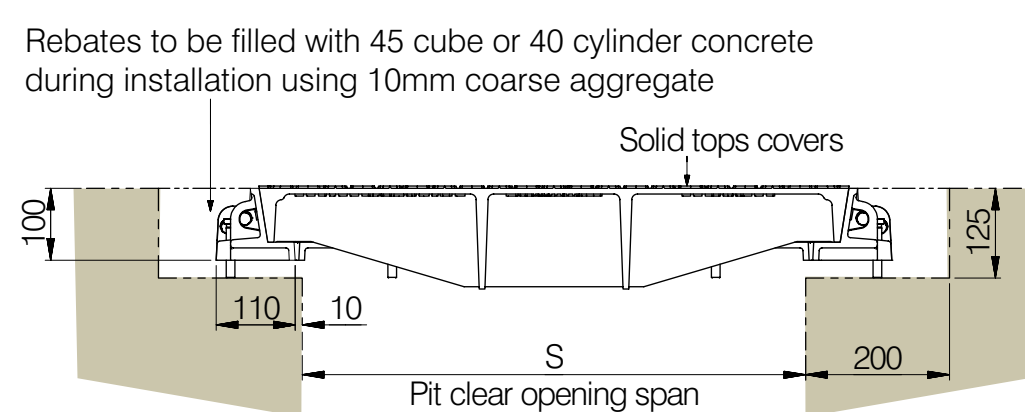
Pit clear opening span	Cover type
600	RSF
700	RSF
750	RSF
900	RSF
1050	RRF
1200	RRF

Standard Solid top covers are supplied in straight runs. Junctions and splays can be achieved by the inclusion of localised recessed covers. Refer to our technical department for more information.

For high density traffic conditions refer to page 14.

Rebates to filled with 45 cube or 40 cylinder concrete during installation using 10mm coarse aggregate

Technical Diagrams



Type RSF

Multispan Covers and Frames

Product Selection

Refer to the table to identify which cover and beam configuration you require against pit clear opening length (L) and pit clear opening span (S). All dimensions are in millimetres Gatic can achieve sizes beyond the extent of those listed in the table - please speak to the Gatic technical team for further details..

Note: All dimensions shown in red are made up using 700 x 700 solid top covers only.

		Pit clear opening span (S) mm			
		2 parts 1 beam	3 parts 2 beams	4 parts 3 beams	5 parts 4 beams
Pit clear opening length (L) mm	2 parts	1380	2160	2940	3870
		1530	2310	3090	3720
		1580	2460	3240	4020
	3 parts	1680	2610	3390	4170
		1830	2760	3540	4220
		1980	2910	3690	4320
	4 parts	2000	3060	3840	4470
		2150		3990	4620
		2300		4140	4770
	3 parts	2450			4920
		2600			5070
		2750			5220
4 parts	2850				
	3000				
	3100				
4 parts	3150				
	3300				
	3450				
4 parts	3600				
	3750				
	3900				

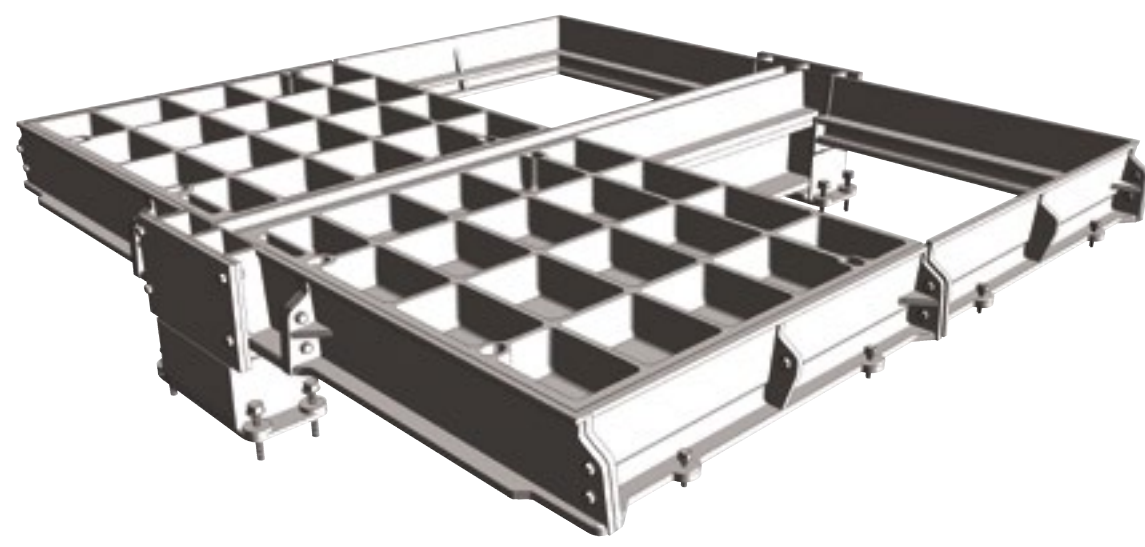
		4 part (2x2) multispan cover with 1 removable support beam	6 part (2x3) multispan cover with 2 removable support beam	8 part (2x4) multispan cover with 3 removable support beam	10 part (2x5) multispan cover with 4 removable support beam
Pit clear opening length (L) mm	2 parts	1380	2160	2940	3870
		1530	2310	3090	3720
		1580	2460	3240	4020
	3 parts	1680	2610	3390	4170
		1830	2760	3540	4220
		1980	2910	3690	4320
	4 parts	2000	3060	3840	4470
		2150		3990	4620
		2300		4140	4770
	3 parts	2450			4920
		2600			5070
		2750			5220
4 parts	2850				
	3000				
	3100				
4 parts	3150				
	3300				
	3450				
4 parts	3600				
	3750				
	3900				

Beam centres mm	2 parts 1 beam				3 parts 2 beams				4 parts 3 beams				5 parts 4 beams				
	A	B	C	D	A	B	C	D	A	B	C	D	A	B	C	D	E
A	690	690			690	690			690	690			690	690			
B	690	690			780	930			780	780			780	780			
C					840	780			840	780			840	780			
D					790	880			790	880			790	880			
E					840	930			840	930			840	930			
					840	1080			840	1080			840	1080			
					990	930			990	930			990	930			
					990	1080			990	1080			990	1080			

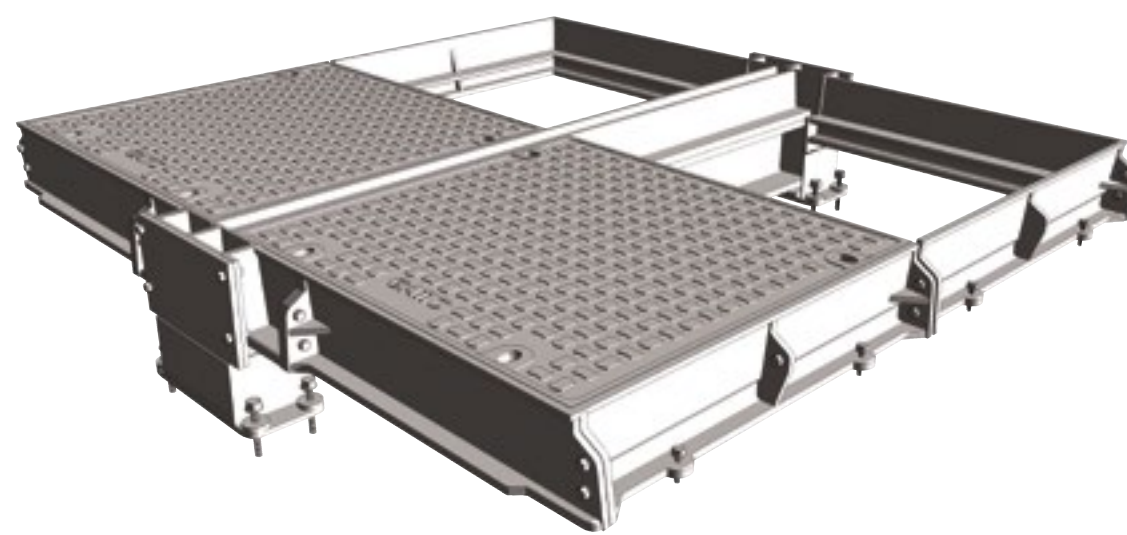
Inset lines denote pit opening  Cover  Beam L = Pit clear opening length S = Pit clear opening span

Note: For other pit clear opening sizes please refer to our technical department

Multispan Covers and Frames



Type RRF recessed



Type RSF solid top

Beam Size

The required beam size for Multispan covers is dependent on the pit clear opening length and the loading group.

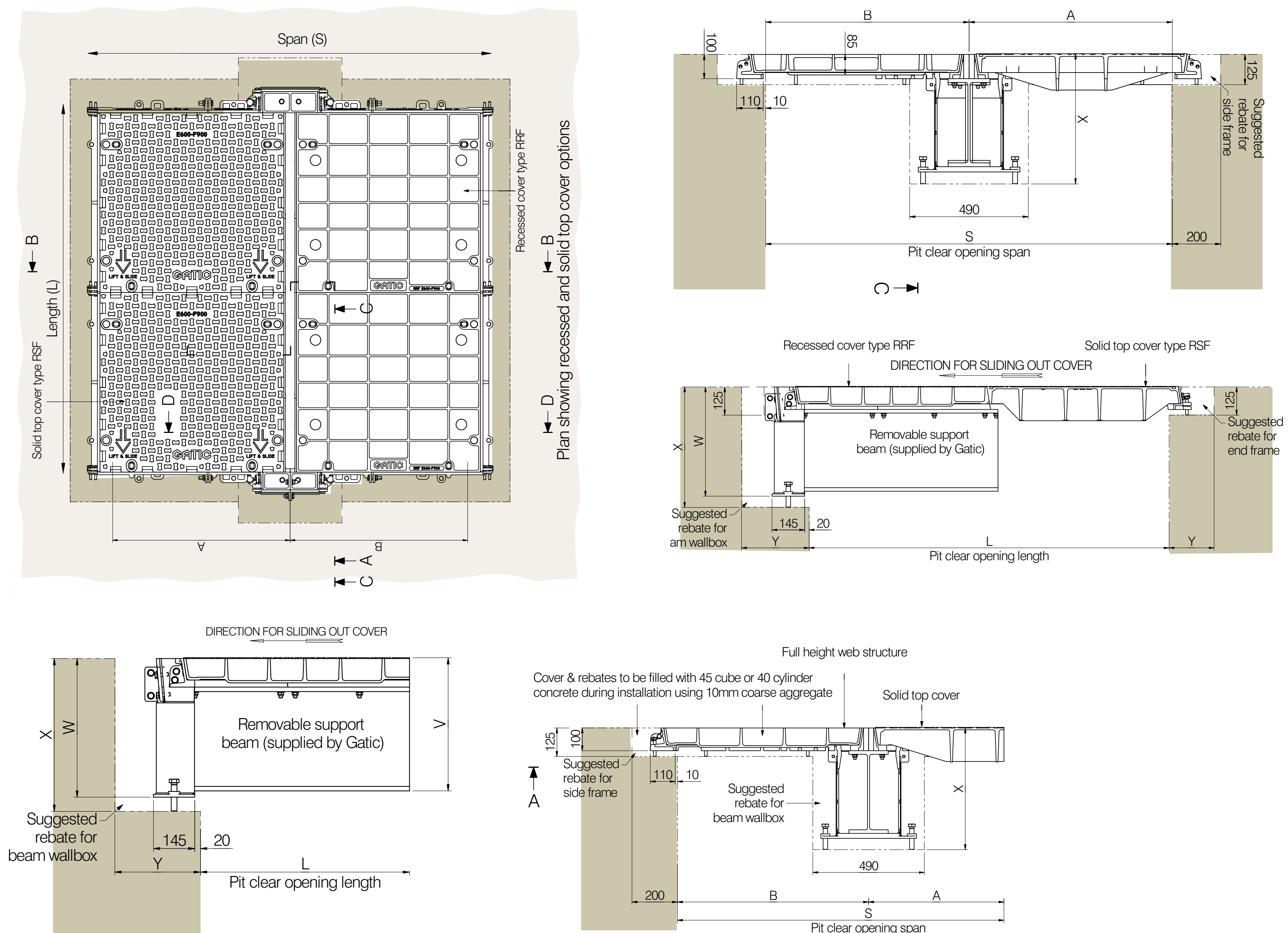
The table shows maximum beam length against beam size. The removable support beams are supplied by Gatic.

The table also indicates dimensions of the beam wallbox and rebate to suit different beam sizes. See also the accompanying section details.

Support beam size chart

Removable support beam size	Max pit clear opening length (L)	Beam wallbox dimensions			
		V	W	X	Y
305 x 165 x 54 kg/m U.B	2000	412	434	480	230
356 x 171 x 67 kg/m U.B	2450	465	487	535	300
457 x 152 x 82 kg/m U.B	2850	568	590	635	300
533 x 210 x 122 kg/m U.B	3900	647	669	715	300

Technical Diagrams



Solid Top Circular Covers

Each Circular cover is supplied with two locking bolts as standard.

To specify, state

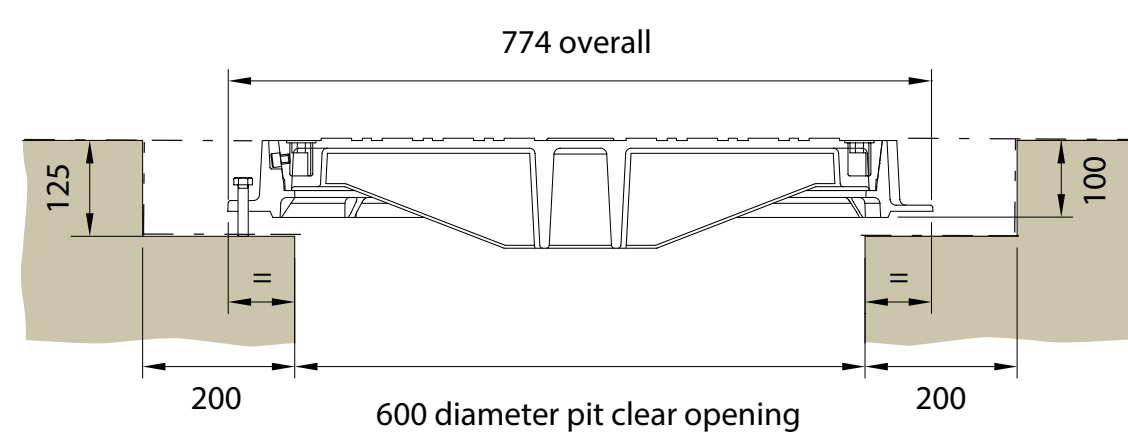
1. Loading group
2. Pit clear opening size
3. Cover type



Suitable for up to F900 loading.

Pit clear opening sizes	Cover type	Overall frame size	Suggested rebate size L x W x D
600mm dia.	GC	775 dia.	1000 dia.
750mm dia.	GC	925 dia.	1150 dia.
900mm dia.	GC	1075 dia.	1300 dia.

Technical Diagrams



TYPE GC

GNO4 UUP

D400

Power stations, Carriageways, hard shoulders, and parking areas for all types of vehicle

Loading Group D400 Introduction

Power stations, Carriageways, Data Centres, and parking areas for all types of vehicle

11.5 tonne wheel load, test load 400kN - Suitable for:

- Power stations
- Carriageways
- Data Centres
- Parking areas for all types of vehicles

D400 assemblies are available with a choice of cover designs - recessed or solid top.



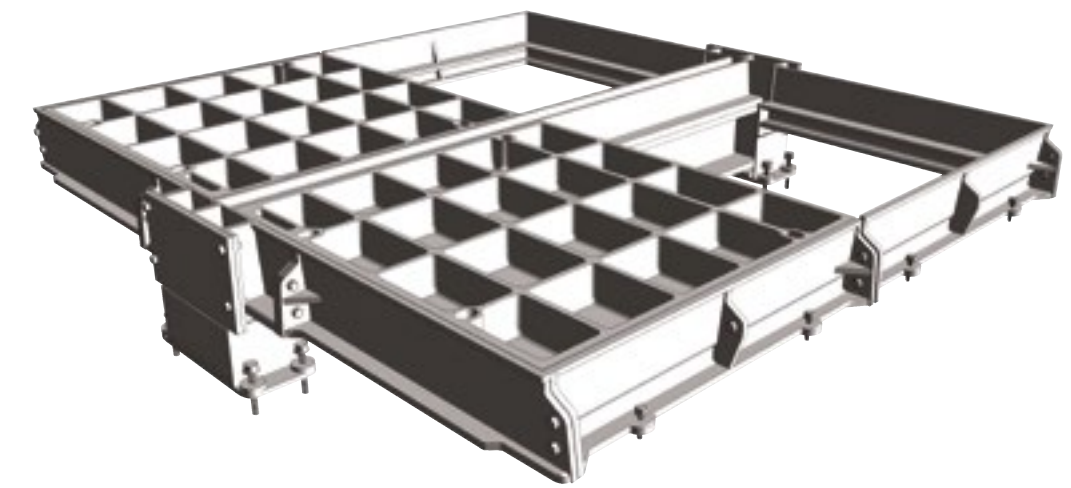
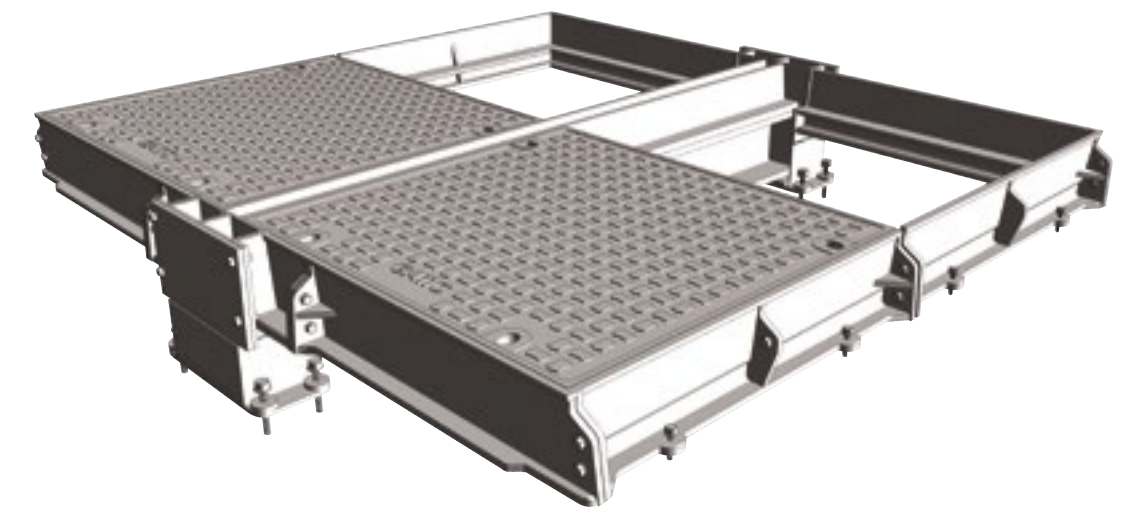
Solid top

Solid top cover types are lighter in weight than recessed covers, and feature an anti-slip surface. Solid top covers are denoted by the code Type RSD depicted in section on the following pages.

Recessed for concrete infill

Recessed covers are available in a choice of designs designated by a 'Type' reference. D400 recessed covers are available as Type DLF, DM/F, RRD. Section drawings of the different recessed cover types are shown on the following pages.

To prevent movement of covers in high traffic conditions, we recommend the use of a factory fitted vibration-resistant locking system. Can be fitted to recessed covers only. See page 14.



Gatic Pave

Gatic Pave is a comprehensive system of single, duct and multi span access covers and frames for use in paved areas where an aesthetic finish is required in environments up to D400 loading.

Product Ranges

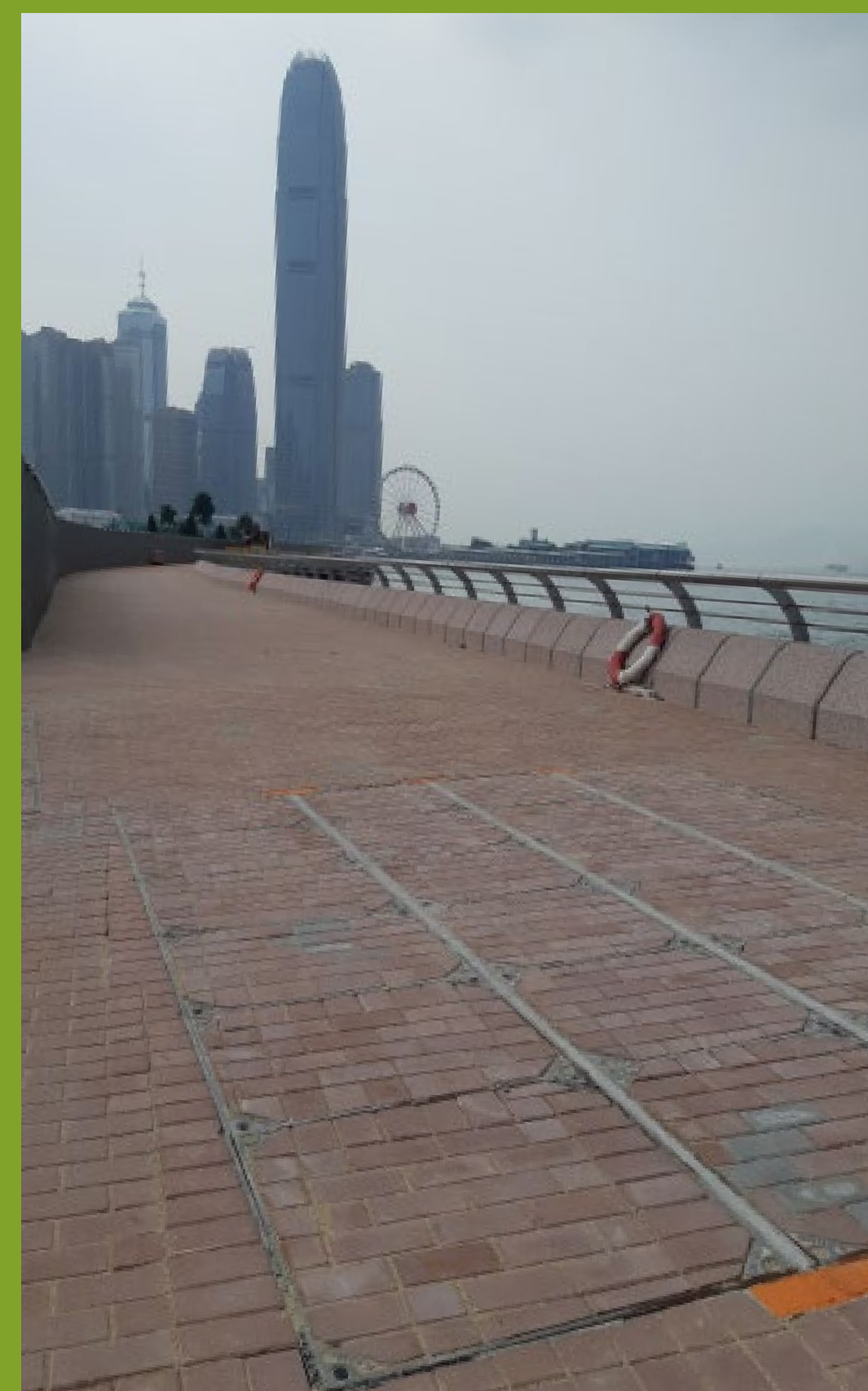
Single covers and frames



Duct covers and frames



Pave



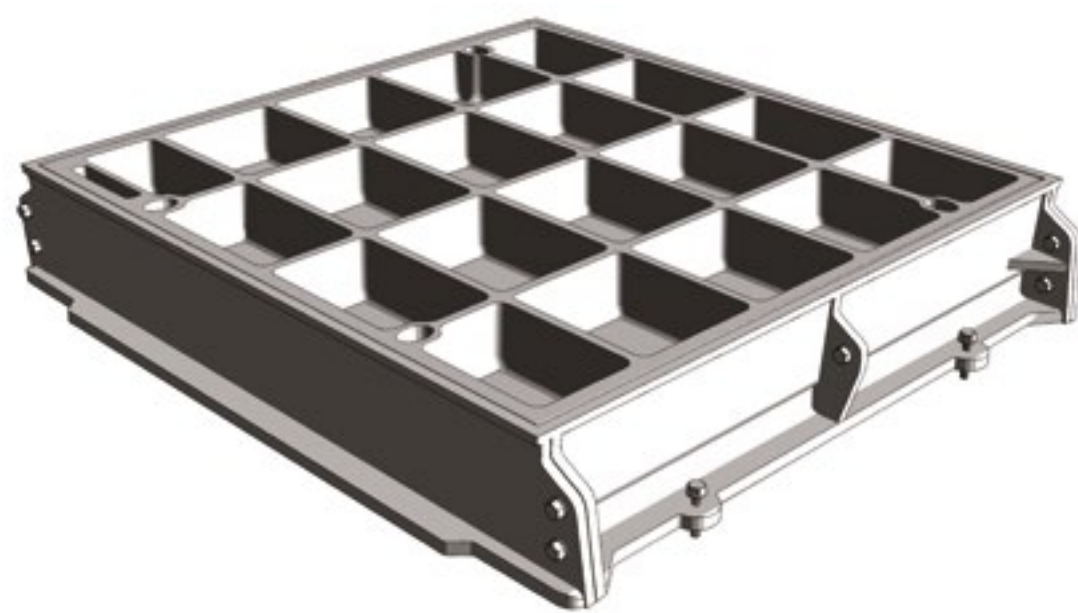
Continuous trench covers and frames



Multispan covers and frames



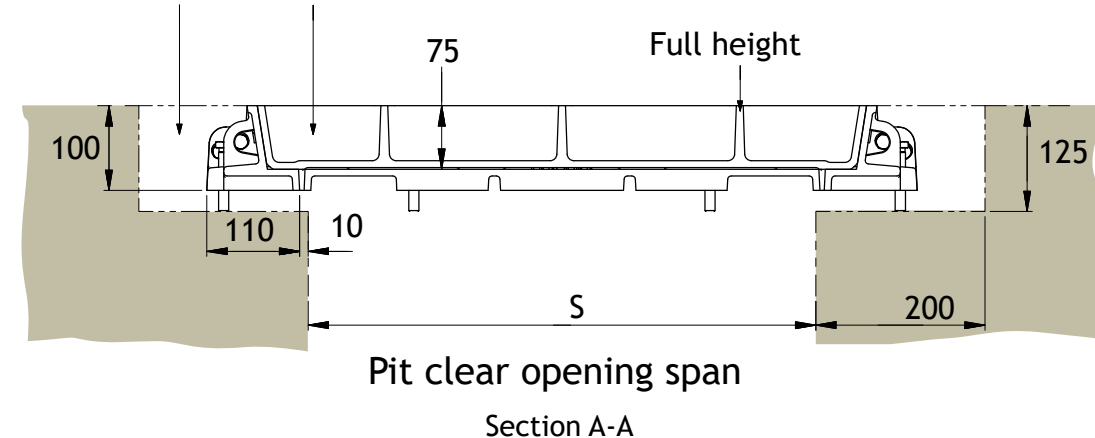
Single Recessed Covers and Frames



Pit clear opening sizes L x S	Cover type	Overall frame size length x width x depth	Suggested rebate size length x width x depth
750 x 300	DLF	900 x 540 x 75	1050 x 600 x 100
600 x 450	RRF	750 x 670 x 100	1000 x 850 x 125
750 x 450	RRF	900 x 670 x 100	1150 x 850 x 125
600 x 600	RRD	750 x 840 x 100	1000 x 1000 x 125
750 x 600	RRD	900 x 840 x 100	1150 x 1000 x 125
900 x 600	RRD	1050 x 840 x 100	1300 x 1000 x 125
600 x 750	RRD	750 x 990 x 100	1000 x 1150 x 125
750 x 750	RRD	900 x 990 x 100	1150 x 1150 x 125
900 x 750	RRD	1050 x 990 x 100	1300 x 1150 x 125
900 x 900	RRD	1120 x 1140 x 100	1300 x 1300 x 125
600 x 900	RRD	750 x 1140 x 100	1000 x 1300 x 125
750 x 900	RRD	900 x 1140 x 100	1150 x 1300 x 125
600 x 1050	RRD	750 x 1290 x 100	1000 x 1450 x 125
750 x 1050	RRD	900 x 1290 x 100	1150 x 1450 x 125
1000 x 1050	DM	1220 x 1270 x 140	1400 x 1450 x 165
600 x 1200	RRD	750 x 1440 x 100	1000 x 1600 x 125
750 x 1200	RRD	900 x 1440 x 100	1150 x 1600 x 125
600 x 1500	DM/F	820 x 1720 x 140	1000 x 1900 x 165
750 x 1500	DM/F	970 x 1720 x 140	1150 x 1900 x 165

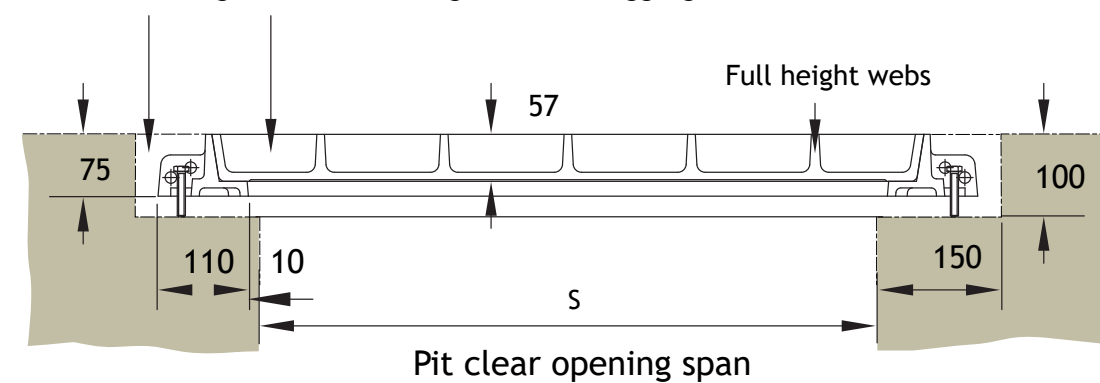
Technical Diagrams

Cover & rebates to be filled with 45 cube or 40 cylinder concrete during installation using 100 coard aggregate



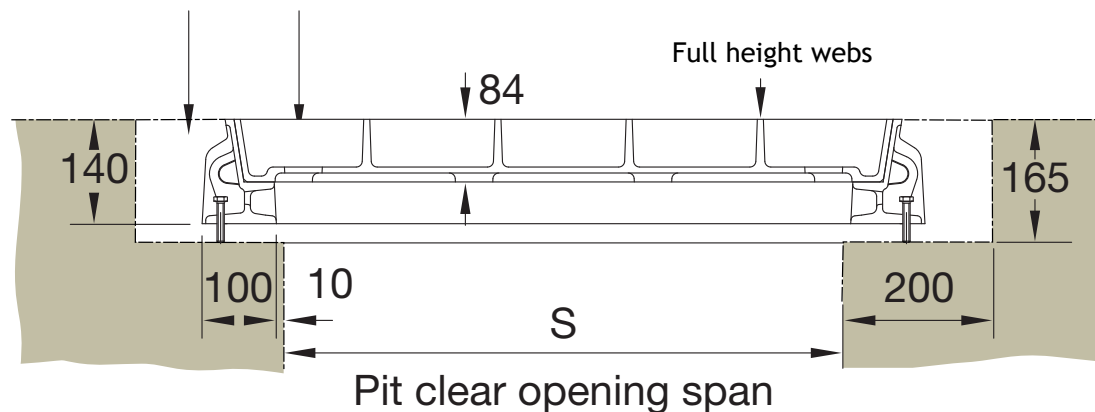
Type RRD / RRF

Cover & rebates to be filled with 45 cube or 40 cylinder concrete during installation using 100 coard aggregate

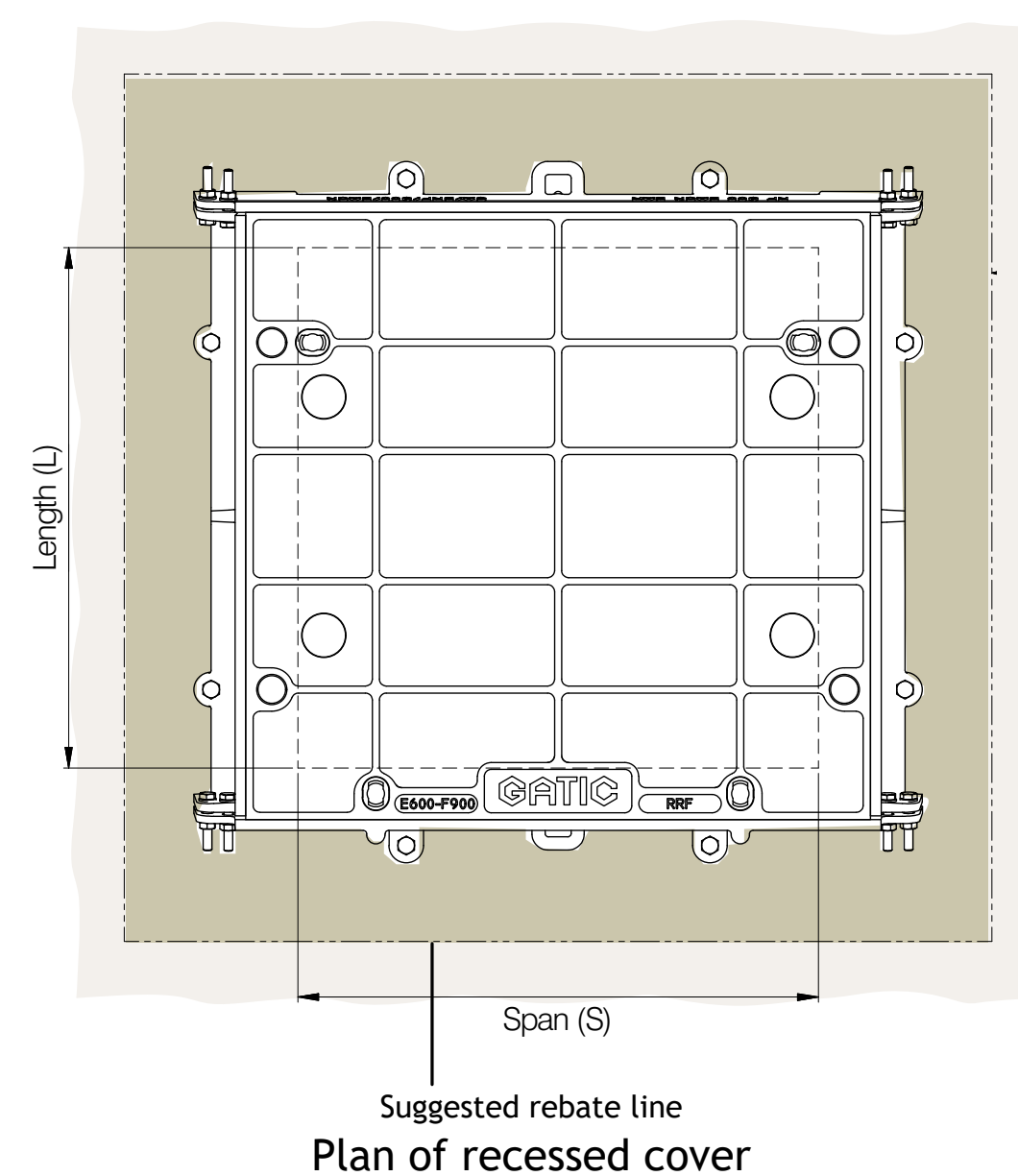


Type DLF

Cover & rebates to be filled with 45 cube or 40 cylinder concrete during installation using 100 coard aggregate



Type DM / DM/F



Single Solid Top Covers and Frames

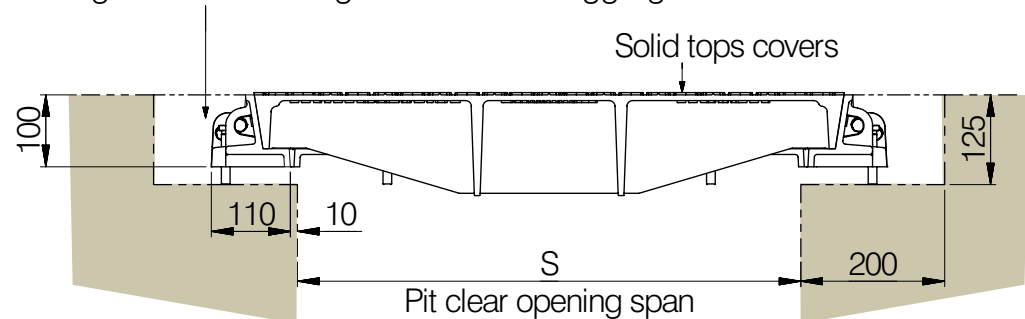


Pit clear opening sizes L x S	Cover type	Overall frame size length x width x depth	Suggested rebate size length x width x depth
600 x 600	RSD	750 x 840 x 100	1000 x 1000 x 125
750 x 600	RSD	900 x 840 x 100	1150 x 1000 x 125
900 x 600	RSD	1050 x 840 x 100	1300 x 1000 x 125
700 x 700	RSD	850 x 940 x 100	1100 x 1100 x 125
750 x 750	RSD	900 x 990 x 100	1150 x 1150 x 125
600 x 750	RSD	750 x 990 x 100	1000 x 1150 x 125
900 x 750	RSD	1050 x 990 x 100	1300 x 1150 x 125
600 x 900	RSD	750 x 1140 x 100	1000 x 1300 x 125
750 x 900	RSD	900 x 1140 x 100	1150 x 1300 x 125
900 x 900	RSD	1120 x 1140 x 100	1300 x 1300 x 125
600 x 1200	RSD	820 x 1420 x 100	1000 x 1600 x 125
750 x 1200	RSD	970 x 1420 x 100	1150 x 1600 x 125
1000 x 1000	RSD	1220 x 1240 x 100	1400 x 1400 x 125

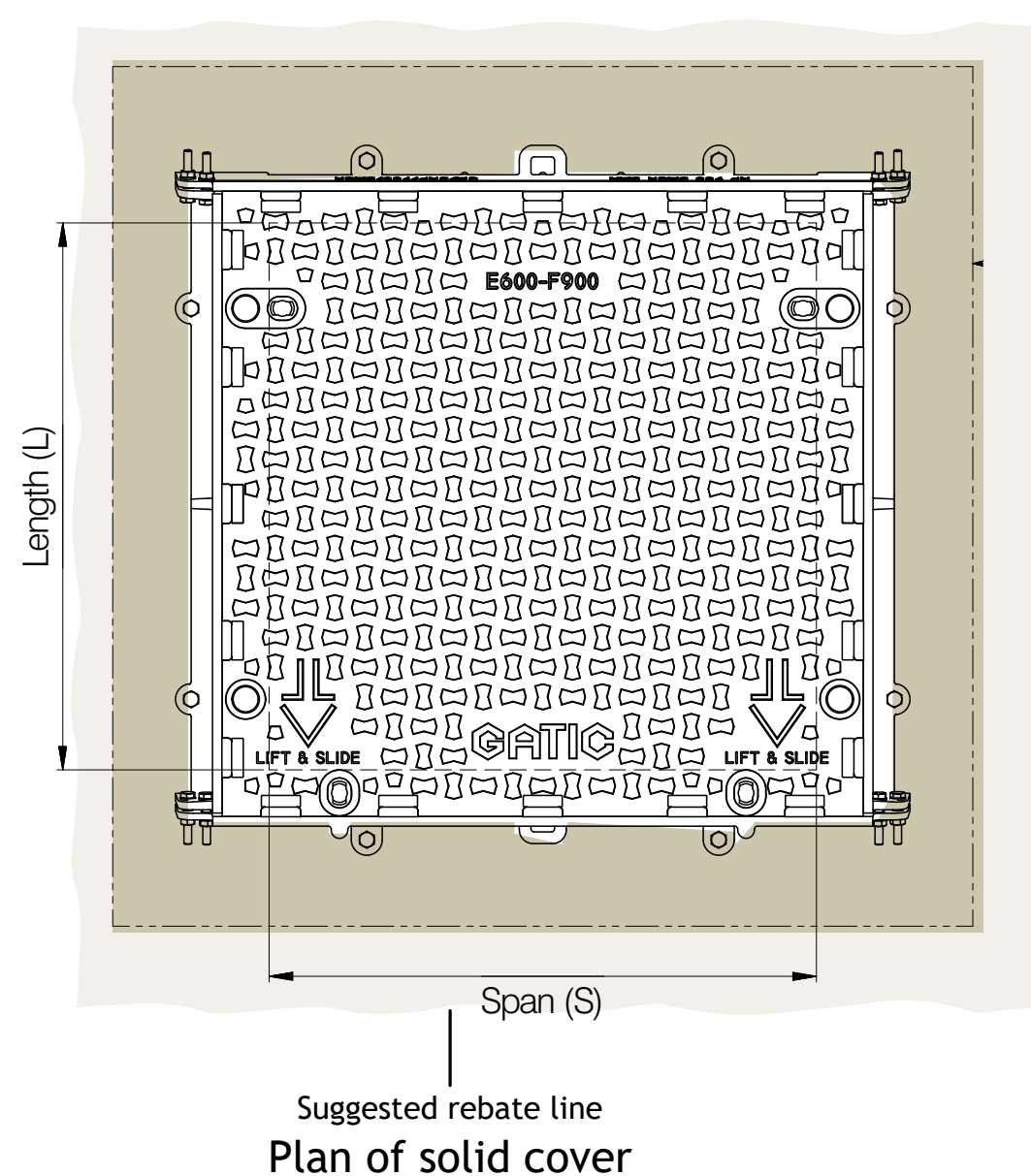
Rebates to filled with 45 cube or 40 cylinder concrete during installation using 10mm coarse aggregate

Technical Diagrams

Rebates to be filled with 45 cube or 40 cylinder concrete during installation using 10mm coarse aggregate

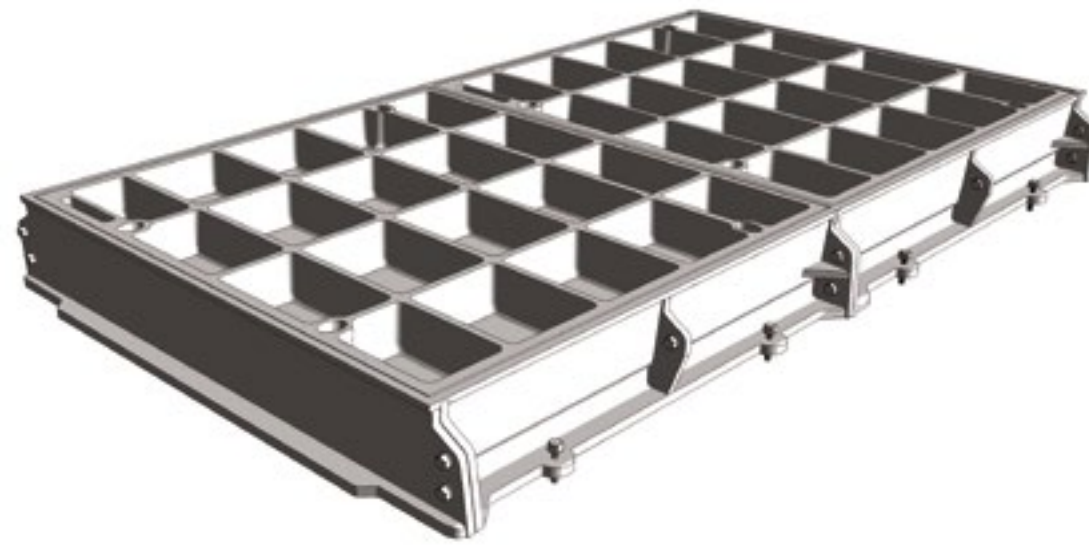


Type RSD



Plan of solid cover

Duct Recessed Covers and Frames

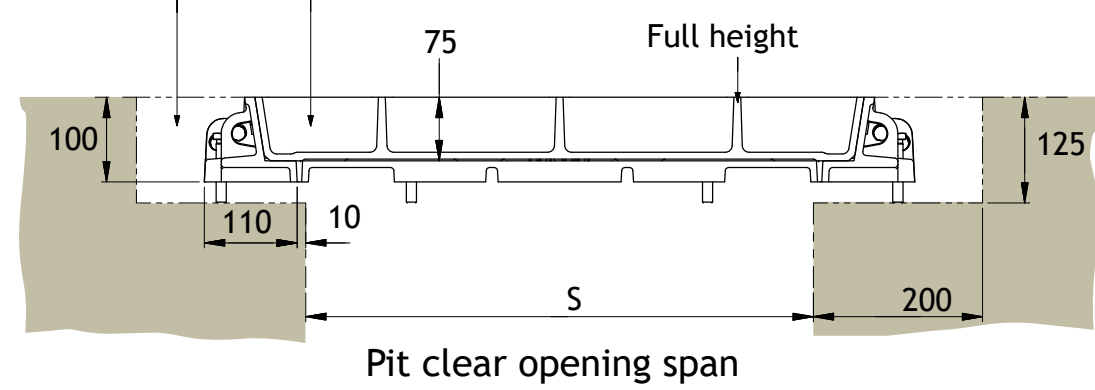


Pit clear opening span (S)	Cover type	Suggested rebate size length x width x depth	Standard pit clear opening length (L)												
			1300	1450	1600	1750	1900	2000	2150	2300	2450	2600	2700	2750	
300	DLF	(L + 300) x 600 x 100	*	*	2	*	*	*	*	*	3	*	*	*	
450	RRF	(L + 400) x 850 x 125	2	2	2	*	*	3	3	3	3	*	4	*	
600	RRD	(L + 400) x 1000 x 125	2	2	2	2	2	3	3	3	3	3	4	3	
750	RRD	(L + 400) x 1150 x 125	2	2	2	2	2	3	3	3	3	3	4	3	
900	RRD	(L + 400) x 1300 x 125	2	2	2	2	2	3	3	3	3	3	4	3	
1050	RRD	(L + 400) x 1450 x 125	2	2	2	*	*	3	3	3	3	*	4	*	
1200	RRD	(L + 400) x 1600 x 125	2	2	2	*	*	3	3	3	3	*	4	*	
1500	DM/F	(L + 400) x 1900 x 165	2	2	2	*	*	3	3	3	3	*	4	*	

Pit clear opening span (S)	Cover type	Suggested rebate size length x width x depth	Standard pit clear opening length (L)												
			2850	2900	3000	3150	3300	3400	3550	3700	3850	3900	4000	4150	
300	DLF	(L + 300) x 600 x 100	*	*	*	*	4	*	*	*	*	*	*	5	
450	RRF	(L + 400) x 850 x 125	4	*	4	4	4	5	5	5	5	*	5	5	
600	RRD	(L + 400) x 1000 x 125	4	3	4	4	4	5	5	5	5	4	5	5	
750	RRD	(L + 400) x 1150 x 125	4	3	4	4	4	5	5	5	5	4	5	5	
900	RRD	(L + 400) x 1300 x 125	4	3	4	4	4	5	5	5	5	4	5	5	
1050	RRD	(L + 400) x 1450 x 125	4	*	4	4	4	5	5	5	5	*	5	5	
1200	RRD	(L + 400) x 1600 x 125	4	*	4	4	4	5	5	5	5	*	5	5	
1500	DM/F	(L + 400) x 1900 x 165	4	*	4	4	4	5	5	5	5	*	5	5	

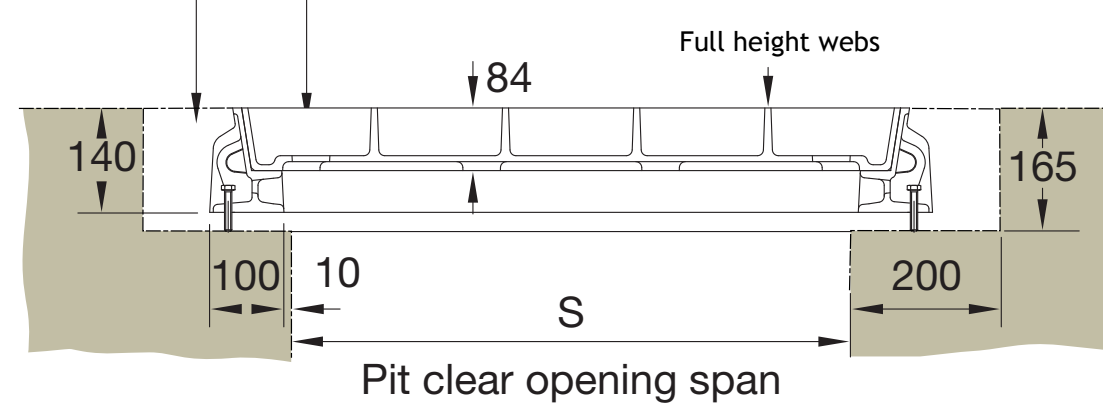
Technical Diagrams

Cover & rebates to be filled with 45 cube or 40 cylinder concrete during installation using 100 coard aggregate



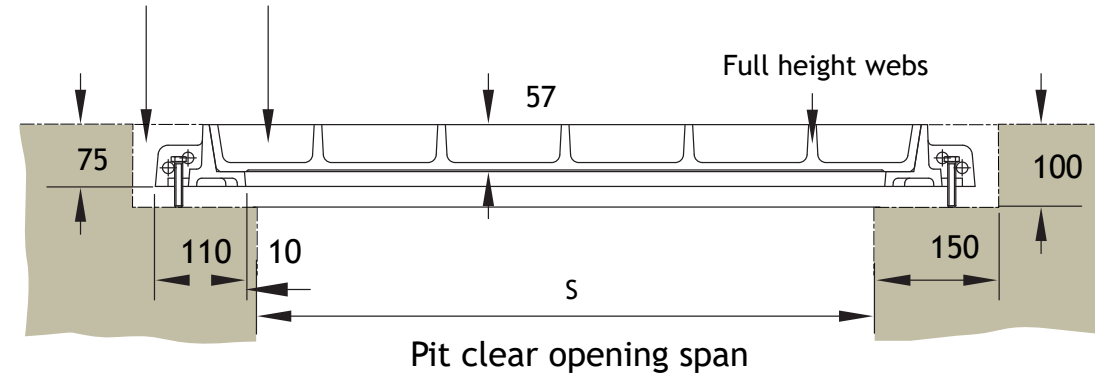
Type RRD / RRF

Cover & rebates to be filled with 45 cube or 40 cylinder concrete during installation using 100 coard aggregate

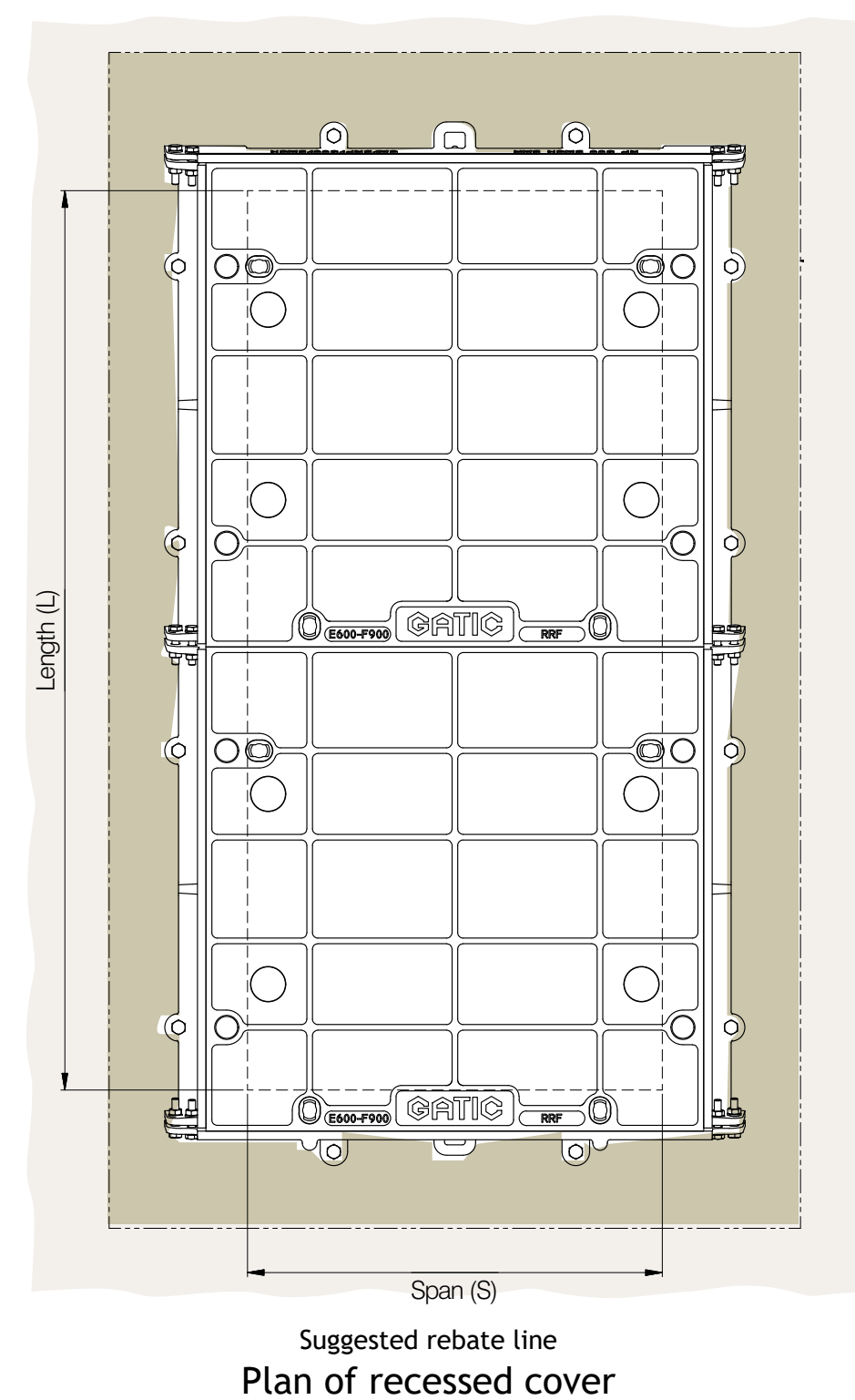


Type DM / DM/F

Cover & rebates to be filled with 45 cube or 40 cylinder concrete during installation using 100 coard aggregate



Type DLF



Suggested rebate line
Plan of recessed cover

Duct Solid Top Covers and Frames



Rebates to filled with 45 cube or 40 cylinder concrete during installation using 10mm coarse aggregate

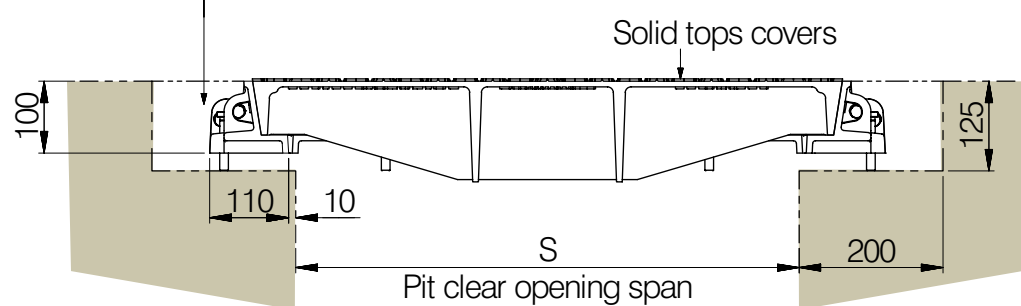
Pit clear opening span (S)	Cover type	Suggested rebate size length x width x depth	Standard pit clear opening length (L)												
			1300	1450	1500	1600	1750	1900	2000	2150	2300	2450	2600	2700	2750
600	RSD	(L + 400) x 1000 x 125	2	2	*	2	2	2	3	3	3	3	3	4	3
700	RSD	(L + 400) x 1100 x 125	*	*	2	*	*	*	*	*	3	*	*	*	*
750	RSD	(L + 400) x 1150 x 125	2	2	*	2	2	2	3	3	3	3	3	4	3
900	RSD	(L + 400) x 1300 x 125	2	2	*	2	2	2	3	3	3	3	3	4	3
1200	RSD	(L + 400) x 1600 x 125	2	2	*	2	*	*	3	3	3	3	*	4	*

Pit clear opening span (S)	Cover type	Suggested rebate size length x width x depth	Standard pit clear opening length (L)													
			2850	2900	3000	3100	3150	3300	3400	3550	3700	3850	3900	4000	4150	
600	RSD	(L + 400) x 1000 x 125	4	3	4	*	4	4	5	5	5	5	5	4	5	5
700	RSD	(L + 400) x 1100 x 125	*	*	*	4	*	*	*	*	*	*	*	5	*	*
750	RSD	(L + 400) x 1150 x 125	4	3	4	*	4	4	5	5	5	5	5	4	5	5
900	RSD	(L + 400) x 1300 x 125	4	3	4	*	4	4	5	5	5	5	5	4	5	5
1200	RSD	(L + 400) x 1600 x 125	4	*	4	*	4	4	5	5	5	5	5	*	5	5

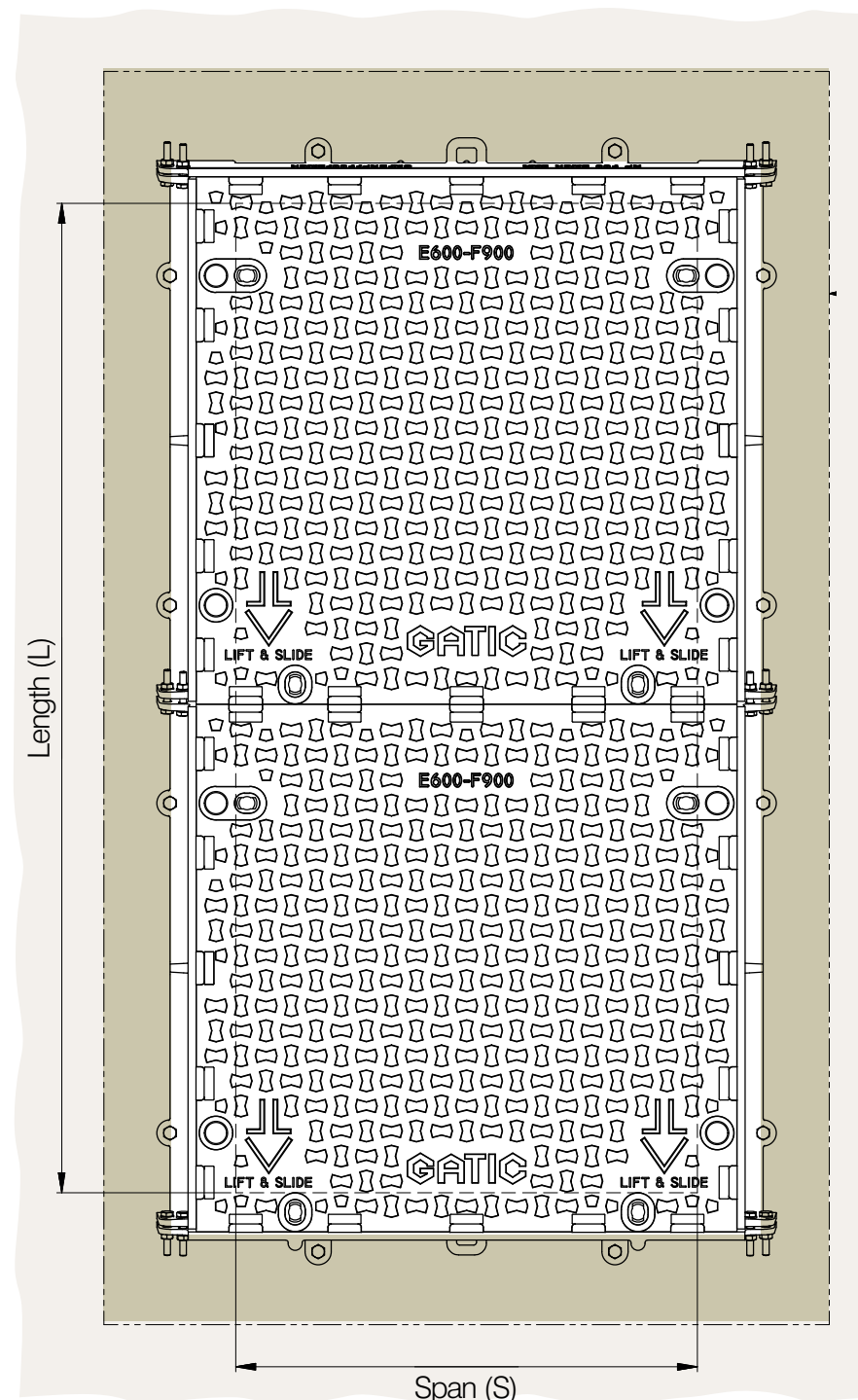
For high density traffic conditions refer to page 14.

Technical Diagrams

Rebates to be filled with 45 cube or 40 cylinder concrete during installation using 10mm coarse aggregate

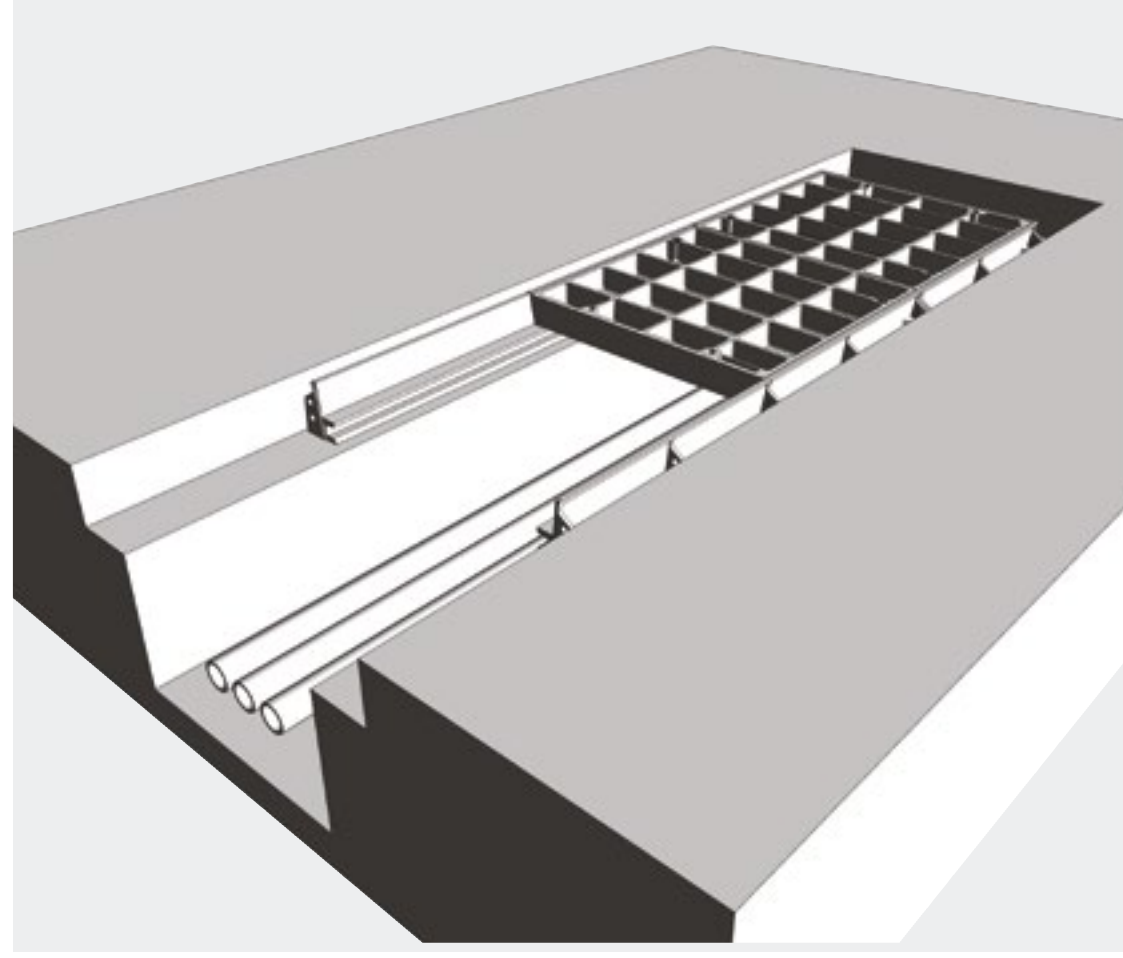


Type RSD



Suggested rebate line
Plan of solid cover

Continuous Recessed Trench Covers and Frames



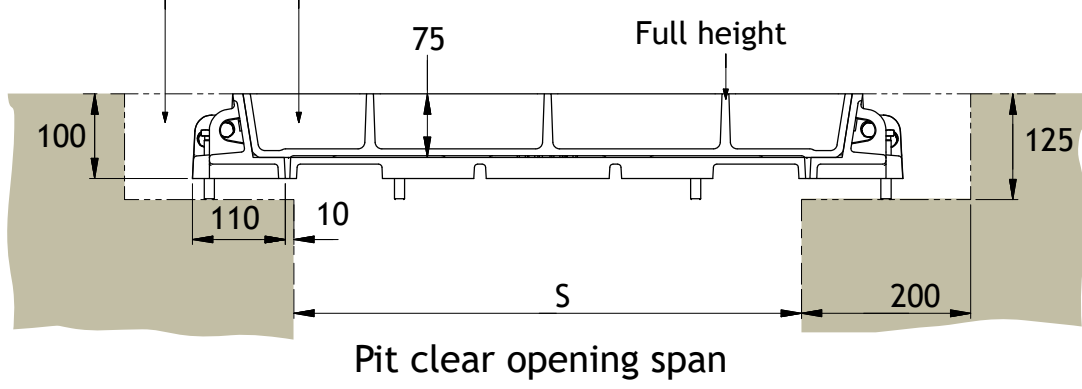
Pit clear opening span (S)	Cover type
300	DLF
450	RRF
600	RRD
750	RRD
900	RRD
1050	RRD
1050	DM
1200	RRD
1200	DM
1500	DM/F

Gatic covers can be formed to make continuous trenches or layouts providing total access to services below.

Construction drawings are required so that Gatic cover layout drawings can be prepared.

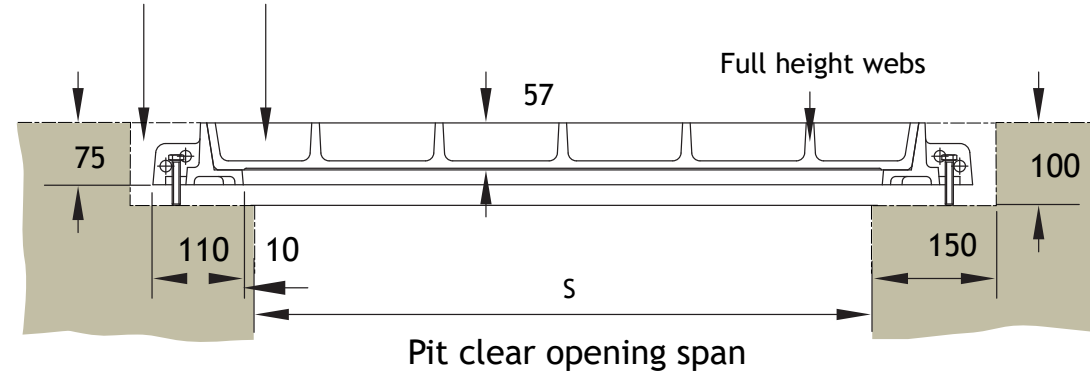
Technical Diagrams

Cover & rebates to be filled with 45 cube or 40 cylinder concrete during installation using 100 coard aggregate



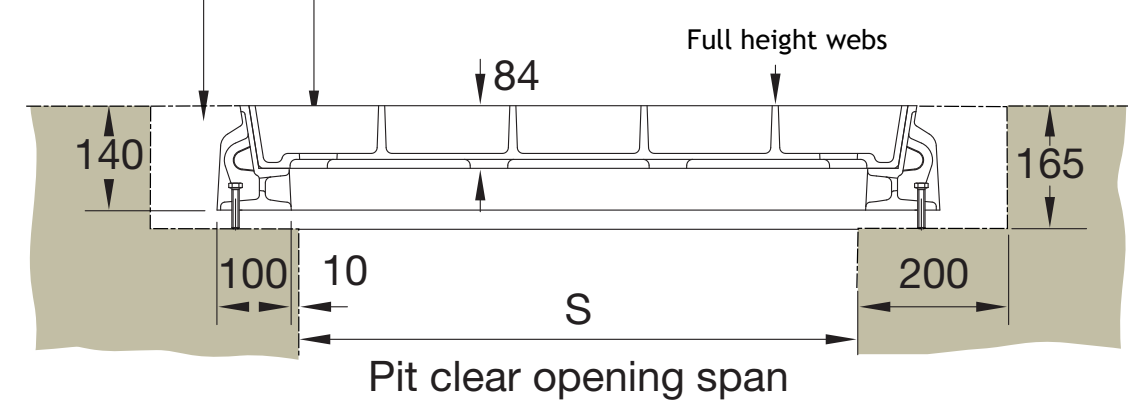
Type RRD / RRF

Cover & rebates to be filled with 45 cube or 40 cylinder concrete during installation using 100 coard aggregate



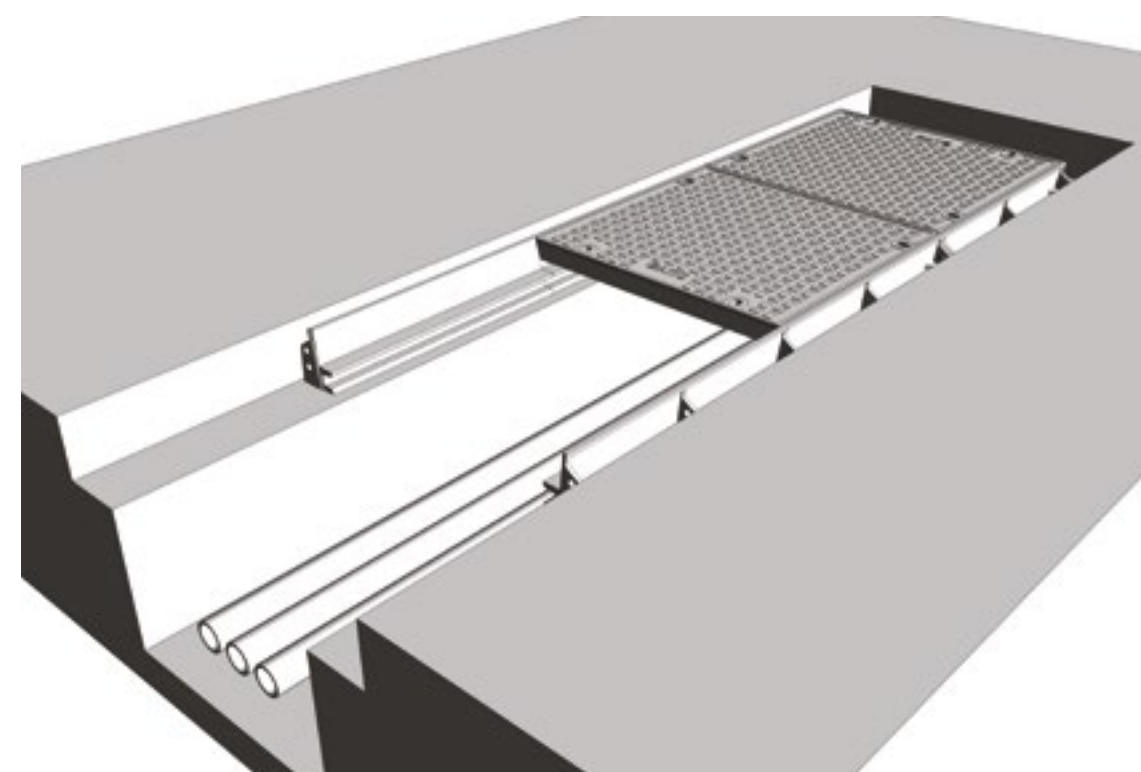
Type DLF

Cover & rebates to be filled with 45 cube or 40 cylinder concrete during installation using 100 coard aggregate



Type DM / DM/F

Continuous Solid Top Trench Covers and Frames

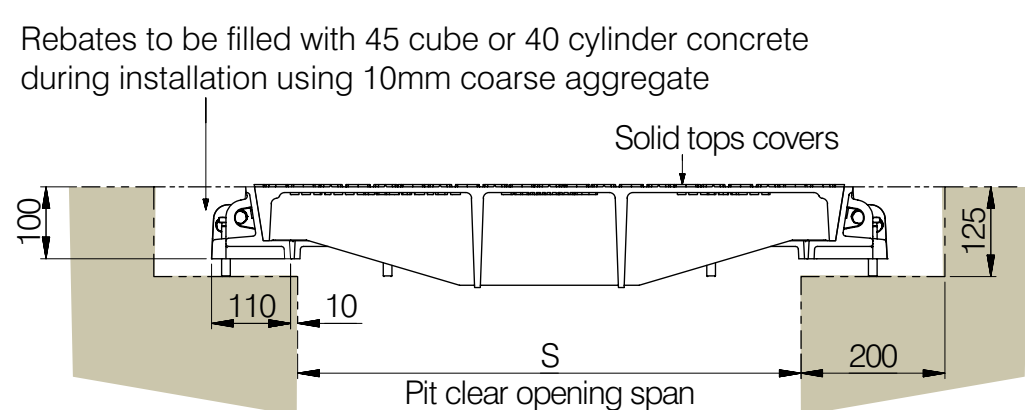


Pit clear opening span	Cover type
600	RSD
700	RSD
750	RSD
900	RSD
1050	RSD
1200	RSD

Standard solid top covers are supplied in straight runs. Junctions and splays can be achieved by the inclusion of localised recessed covers. Refer to our technical department for more information.

Rebates to be filled with 45 cube or 40 cylinder concrete during installation using 10mm coarse aggregate

Technical Diagrams



Type RSD

Multispan covers and frames

Product Selection

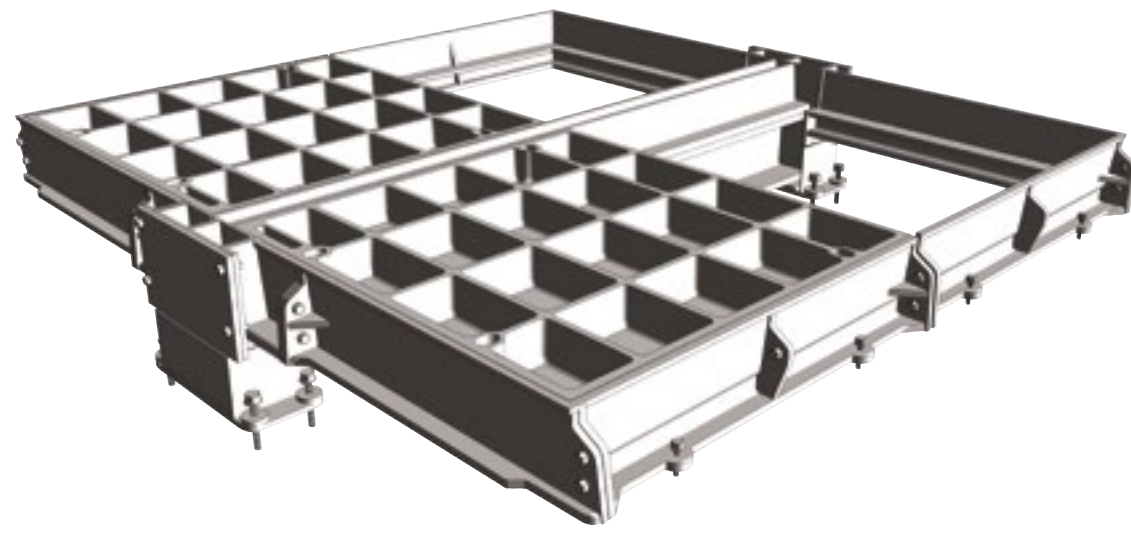
Refer to the table to identify which cover and beam configuration you require against pit clear opening length (L) and pit clear opening span (S). All dimensions are in millimetres. Gatic can achieve sizes beyond the extent of those listed in the table - please speak to the Gatic technical team for further details.

		Pit clear opening span (S) mm																																				
		2 parts 1 beam					3 parts 2 beams					4 parts 3 beams					5 parts 4 beams																					
Pit clear opening length (L) mm	2 parts	1300	1380	1450	1530	1600	1680	1750	1830	1900	2160	2310	2460	2610	2760	2910	3060	2940	3090	3240	3390	3540	3690	3840	3990	4140	3720	3870	4020	4170	4320	4470	4620	4770	4920	5070	5220	
		<p>4 part (2x2) multispan cover with 1 removable support beam</p> <p>6 part (2x3) multispan cover with 2 removable support beam</p> <p>8 part (2x4) multispan cover with 3 removable support beam</p> <p>10 part (2x5) multispan cover with 4 removable support beam</p>																																				
		3 parts	2000	2150	2300	2450	2600	2750	2900	2160	2310	2460	2610	2760	2910	3060	2940	3090	3240	3390	3540	3690	3840	3990	4140	3720	3870	4020	4170	4320	4470	4620	4770	4920	5070	5220		
	<p>6 part (3x2) multispan cover with 1 removable support beam</p> <p>9 part (3x3) multispan cover with 2 removable support beam</p> <p>12 part (3x4) multispan cover with 3 removable support beam</p> <p>15 part (3x5) multispan cover with 4 removable support beam</p>																																					
	4 parts		2700	2850	3000	3150	3300	3450	3600	3750	3900	2160	2310	2460	2610	2760	2910	3060	2940	3090	3240	3390	3540	3690	3840	3990	4140	3720	3870	4020	4170	4320	4470	4620	4770	4920	5070	5220
		<p>8 part (4x2) multispan cover with 1 removable support beam</p> <p>12 part (4x3) multispan cover with 2 removable support beam</p> <p>16 part (4x4) multispan cover with 3 removable support beam</p> <p>20 part (4x5) multispan cover with 4 removable support beam</p>																																				
		Beam centres mm	A	690	690	840	840	840	990	990	690	690	840	840	840	990	990	690	780	780	780	840	840	840	990	990	690	690	840	690	840	840	840	990	990	990	990	
			B	690	690	840	840	840	990	990	780	930	780	930	1080	930	1080	780	780	780	930	930	930	930	1080	1080	780	780	780	930	930	930	930	1080	1080	1080	1080	
	C									690	690	840	840	840	990	990	780	780	780	930	930	930	930	1080	1080	780	930	780	930	780	1080	930	1080	1080	1080	1080		
D																690	690	840	690	840	840	990	840	990	780	780	780	930	930	930	930	1080	1080	1080	1080			
E																									690	690	840	690	840	840	990	990	990	990	990			

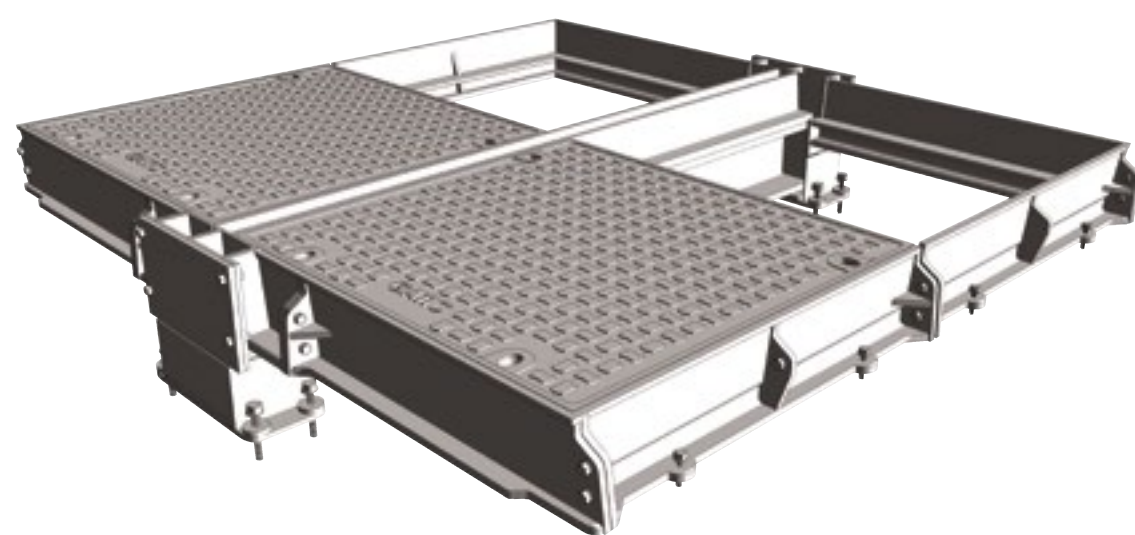
Note: For other pit clear opening sizes please refer to our technical department

Inset lines denote pit opening Cover Beam L = Pit clear opening length S = Pit clear opening span

Multispan Covers and Frames



Type RRD recessed



Type RSD solid top

Beam Size

The required beam size for Multispan covers is dependent on the pit clear opening length and the loading group.

The table shows maximum beam length against beam size. The removable support beams are supplied by Gatic.

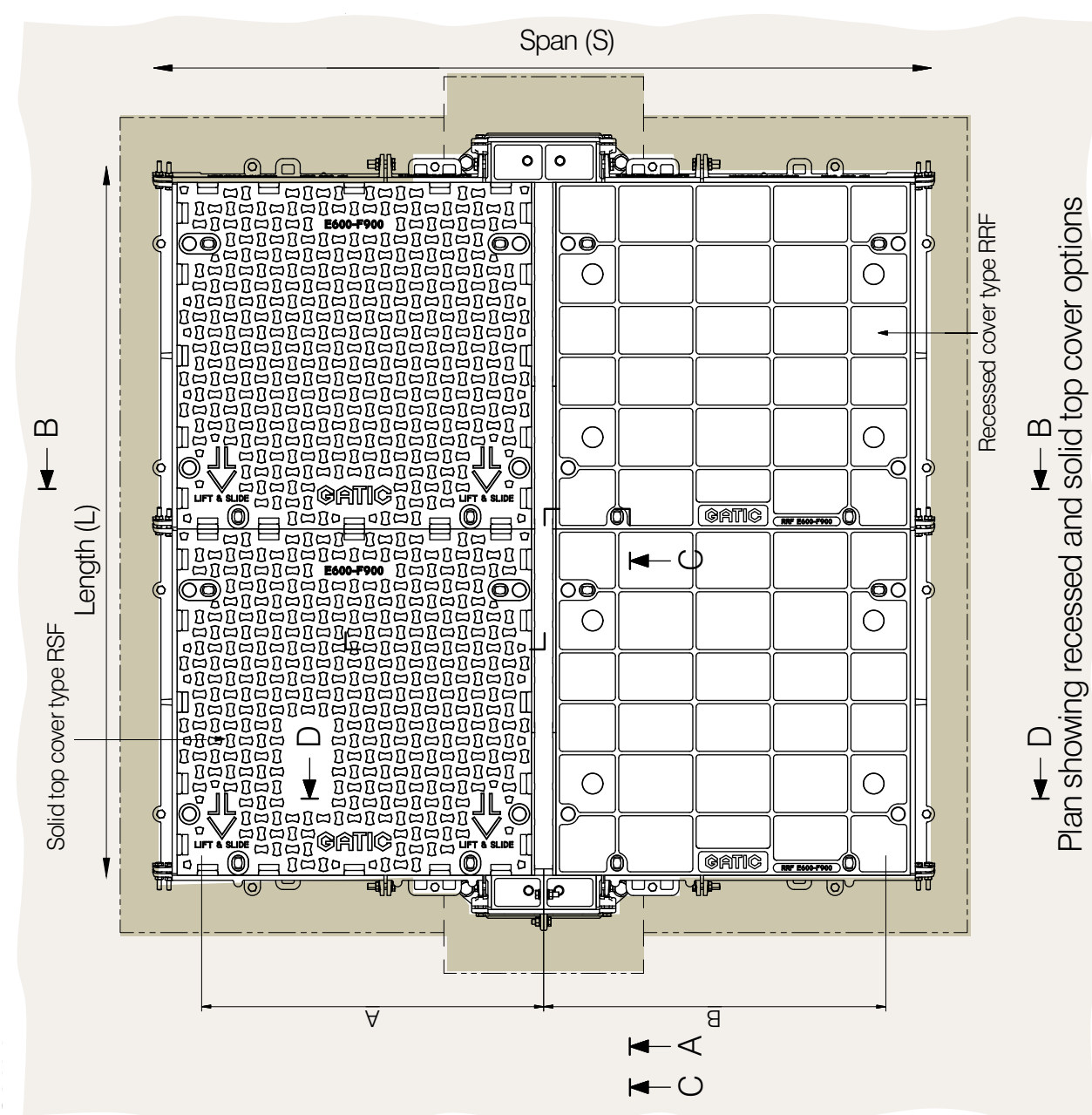
The table also indicates dimensions of the beam wallbox and rebate to suit different beam sizes.

See also the accompanying section details.

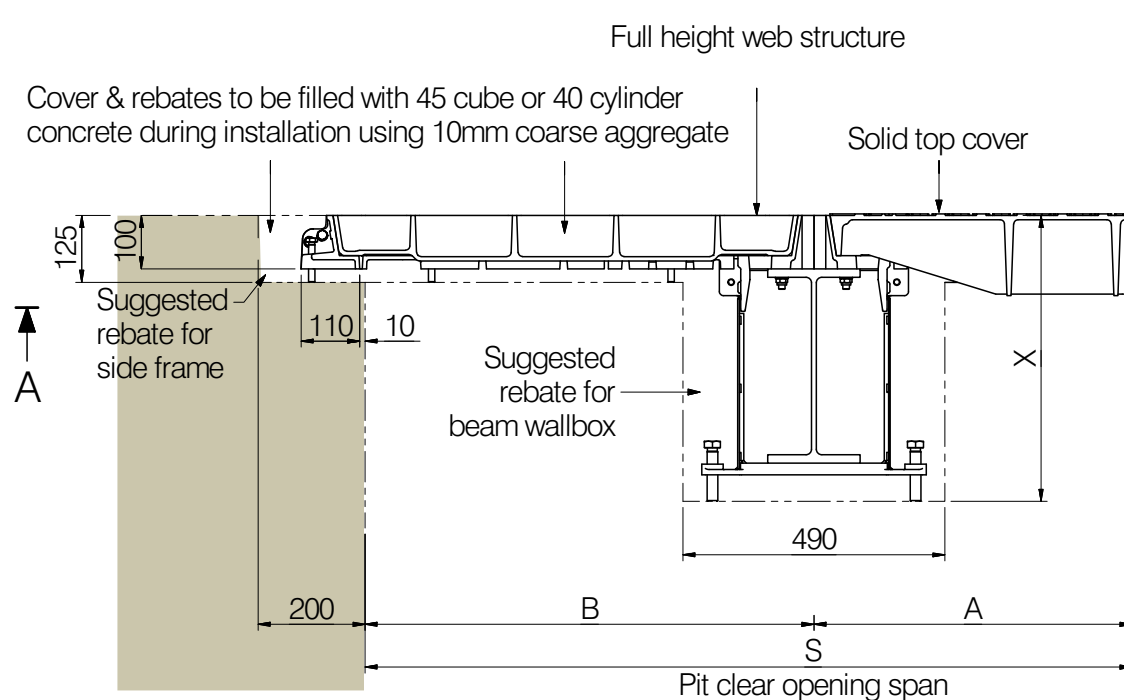
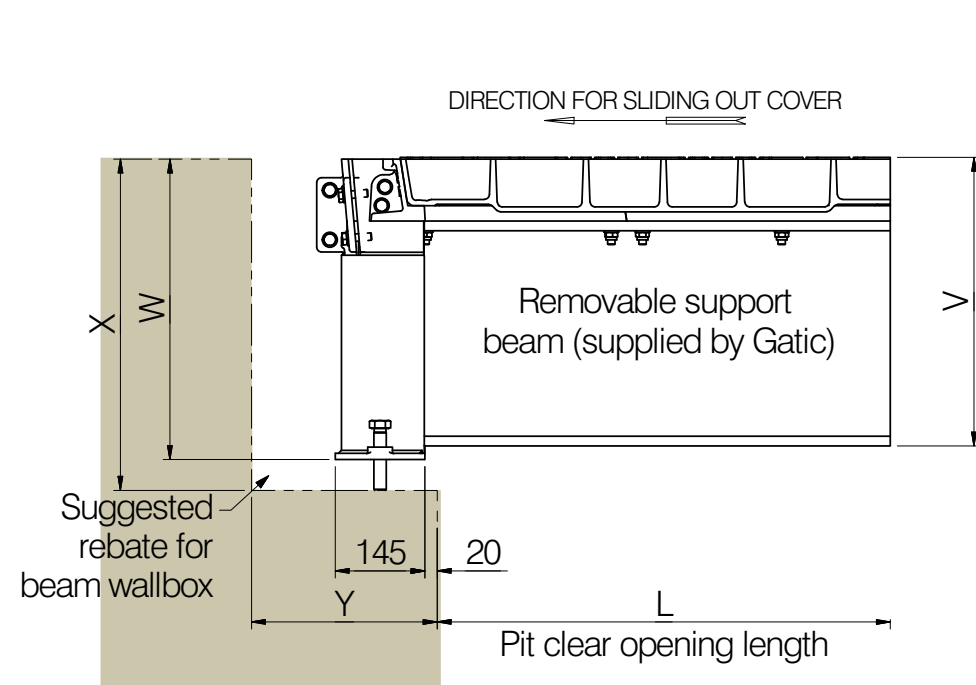
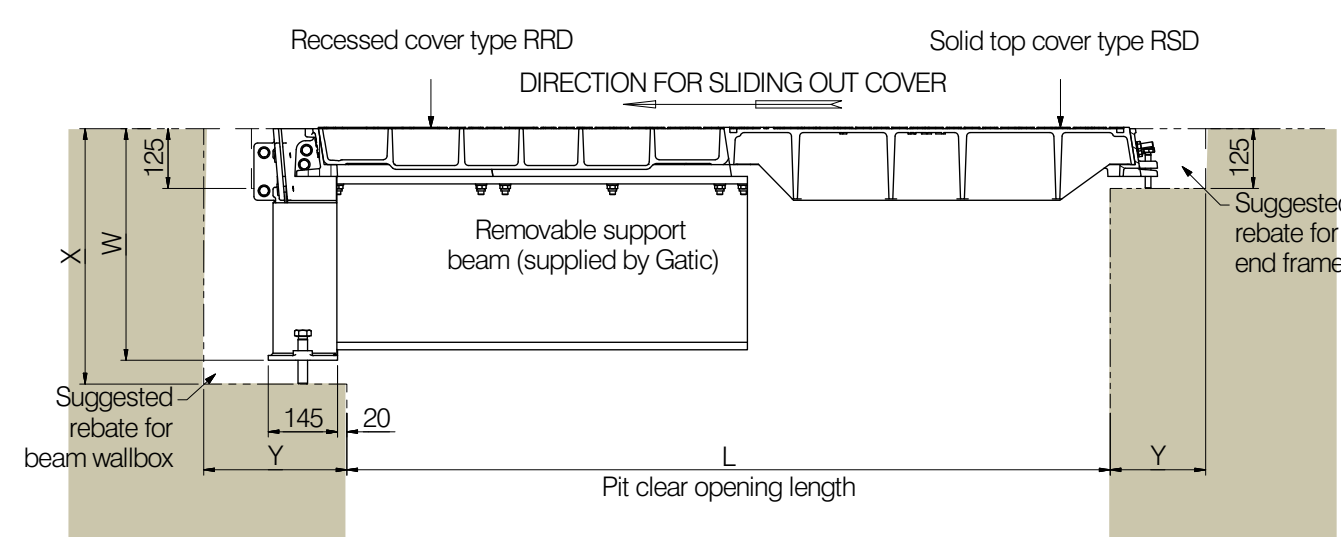
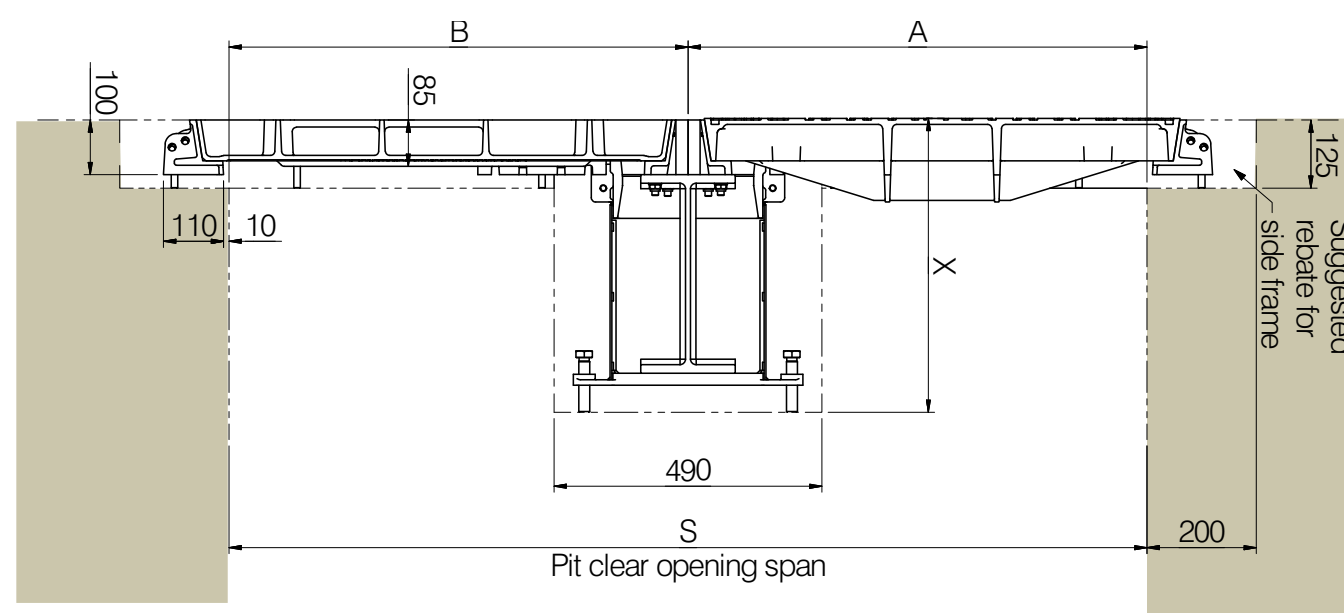
Removable support beam size	Max pit clear opening length (L)	Beam wallbox dimensions			
		V	W	X	Y
152 x 152 x 37 kg/m U.C	1750	264	286	330	230
203 x 203 x 52 kg/m U.C.	2300	308	330	370	230
305 x 165 x 54 kg/m U.B	2750	412	434	480	230
356 x 171 x 67 kg/m U.B	3150	465	487	535	300
457 x 152 x 82 kg/m U.B	3450	568	590	635	300
533 x 210 x 122 kg/m U.B	3900	647	669	715	300

Note: Removable support beams are supplied by Gatic

Technical Diagrams



Plan showing recessed and solid top cover options



Solid Top Circular Covers

Each Circular cover is supplied with two locking bolts as standard.



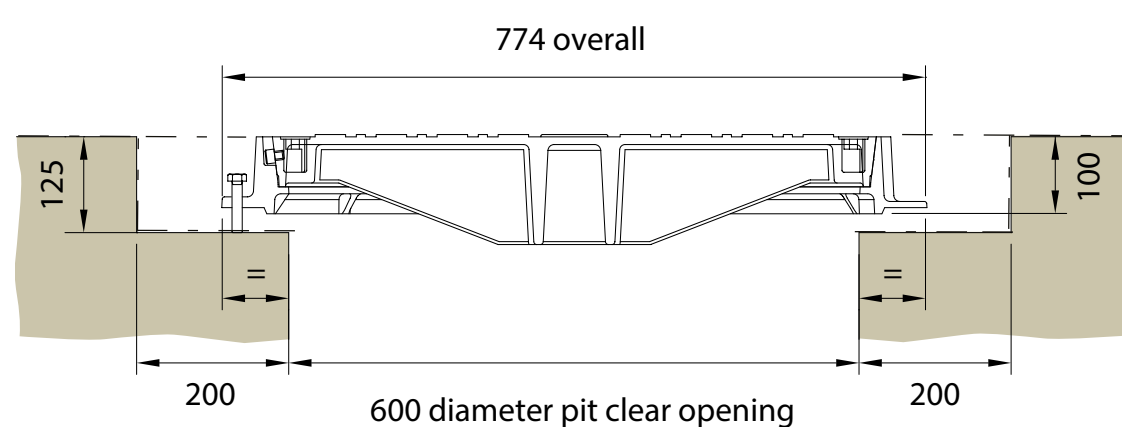
To specify, state

1. Loading group
2. Pit clear opening size
3. Cover type

Suitable for up to F900 loading.

Pit clear opening sizes	Cover type	Overall frame size	Suggested rebate size L x W x D
600mm dia.	GC	775 dia.	1000 dia.
750mm dia.	GC	925 dia.	1150 dia.
900mm dia.	GC	1075 dia.	1300 dia.

Technical Diagrams



TYPE GC

Gatic Pave is a comprehensive system of single, duct and multi span access covers and frames for use in paved areas where an aesthetic finish is required in environments up to D400 loading.

Environmental commitment:

Responsibility towards the environment is our primary concern. Our customers often now demand products that are made from recycled and recyclable materials, supplied by companies with robust environmental policies to reduce the environmental impact of their projects for future generations.

To meet these requirements we have an integrated Quality (BS EN ISO 9001) and Environmental (BS EN ISO 14001) Management System which encompasses the design, manufacture and management systems within the company and ensures our commitment to continuous environmental improvements regarding the manufacture and design of all our products in the following ways:

- **Minimise environmental impact**
- **Commit organisational resources to energy management**
- **Reduce energy costs**
- **Give high priority to energy efficient investments**
- **Consider life cycle energy costs for all new projects**
- **Minimise CO2 emissions year on year**
- **Use energy from sustainable resources wherever possible**

To achieve these goals we have put in place the necessary systems and controls to meet demanding environmental targets and to make sure that these are maintained for the future benefit of the environment and our customers alike.

Lifting Keys

Gatic recommends that due to their weight with paviour infill, when Pave covers are removed they are lifted using Gatic's Mechanical lifting keys.

A Mechanical lifting key is inserted into each of the four keyways found on all Gatic

Gatic services:

Gatic offers a full support service to specifiers and contractors, including Computer Aided Design. AutoCAD compatible details of all Gatic products are available. Please consult our technical department for assistance.

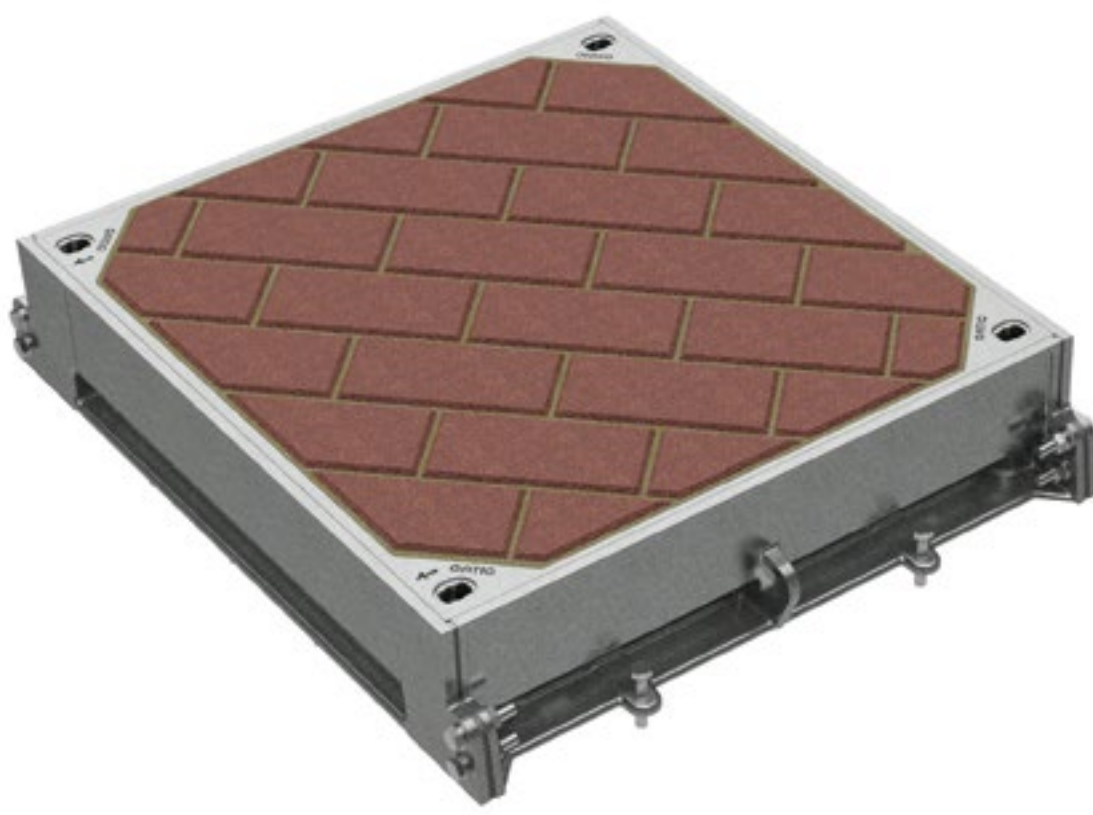
In view of our commitment to product improvement, we reserve the right to alter designs without notice. Design changes will not adversely affect the performance or loading capability of our products.



Pave covers which are designed and tested for use with cranes and other mechanical devices

Full operating and installation instructions are available from Gatic.

Suitable for 11.5 tonne slow moving pneumatic wheel load. Cover test load - 400kN



Pit clear opening size	Cover type	Overall Frame Size	Suggested rebate size
600 x 600	PAV	750 x 840 x 170	1000 x 1000 x 195
600 x 750	PAV	750 x 990 x 170	1000 x 1150 x 195
750 x 600	PAV	900 x 840 x 170	1150 x 1000 x 195
750 x 750	PAV	900 x 990 x 170	1150 x 1150 x 195

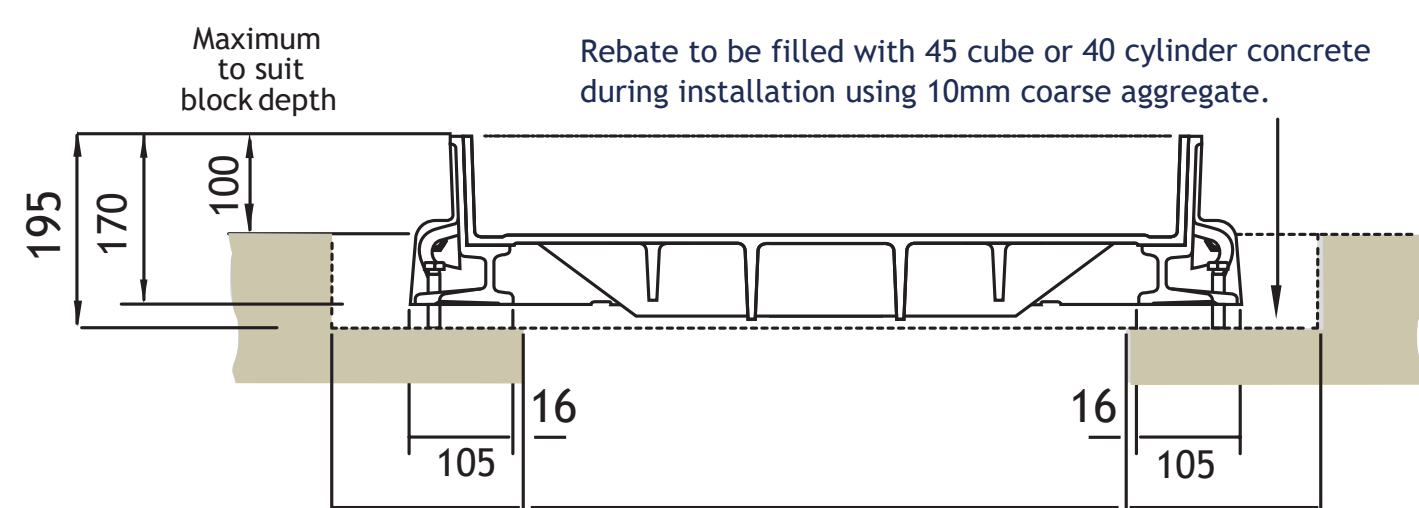
Pave covers can be supplied to cover ducts or trenches as straight runs.

Pit clear opening spans (mm)	Cover type	Suggested rebate size	Standard Pit clear opening length									
			1300	1450	1600	2000	2150	2300	2450	2700	2850	3000
600	PAV	(L + 400) x 1000 x 195	2	2	2	3	3	3	3	4	4	4
750	PAV	(L + 400) x 1150 x 195	2	2	2	3	3	3	3	4	4	4

Pit clear opening spans (mm)	Cover type	Suggested rebate size	Standard Pit clear opening length								
			3150	3300	3400	3550	3700	3850	4000	4100	4150
600	PAV	(L + 400) x 1000 x 195	4	4	5	5	5	5	5	6	5
750	PAV	(L + 400) x 1150 x 195	4	4	5	5	5	5	5	6	5

The number shown indicates the quantity of cover parts. Other cover sizes may be available. Please refer to our technical department.

Technical Diagrams



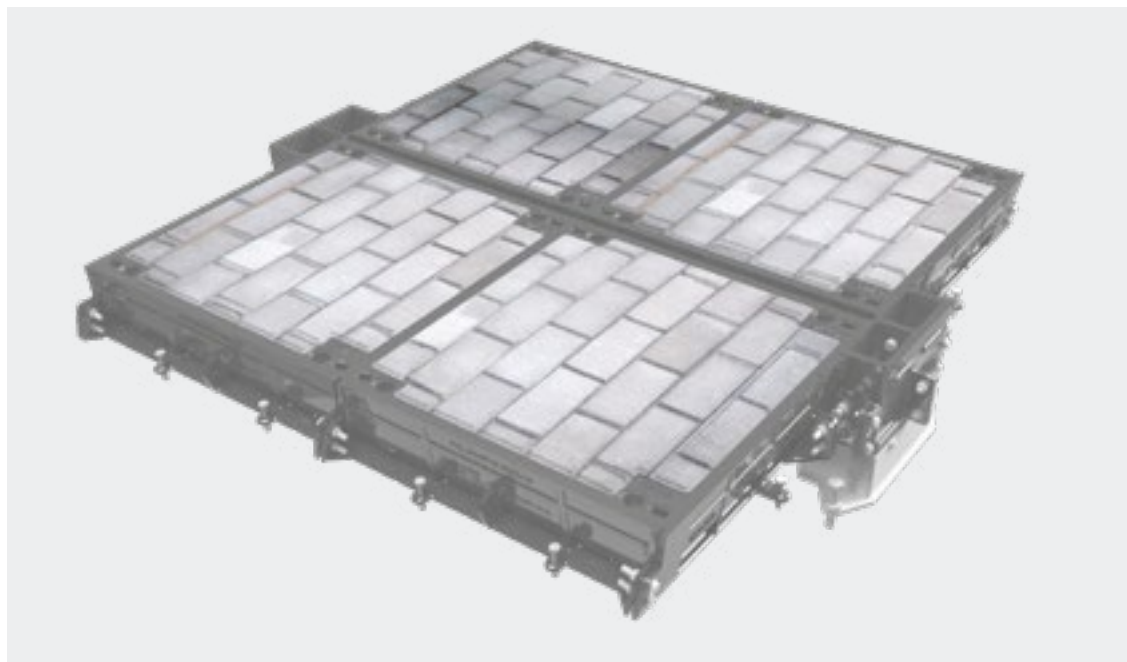
Refer to the table to identify which cover and beam configuration you require against pit clear opening length (L) and pit clear opening span (S). All dimensions are in millimetres.

		Pit clear opening span (S) mm				
		2 parts 1 beam	3 parts 2 beams	4 parts 3 beams	5 parts 4 beams	
Pit clear opening length (L) mm	2 parts	1380 1530 1680	2160 2310 2460 2610	2940 3090 3240 3390 3540	3720 3870 4020 4170 4320 4470	
		1300 1450 1600				
		4 part (2x2) multispan cover with 1 removable support beam	6 part (2x3) multispan cover with 2 removable support beam	8 part (2x4) multispan cover with 3 removable support beam	10 part (2x5) multispan cover with 4 removable support beam	
		6 part (3x2) multispan cover with 1 removable support beam	9 part (3x3) multispan cover with 2 removable support beam	12 part (3x4) multispan cover with 3 removable support beam	15 part (3x5) multispan cover with 4 removable support beam	
	3 parts	2000 2150 2300 2450				
		2700 2850 3000 3150 3300				
		8 part (4x2) multispan cover with 1 removable support beam	12 part (4x3) multispan cover with 2 removable support beam	16 part (4x4) multispan cover with 3 removable support beam	20 part (4x5) multispan cover with 4 removable support beam	
		Beam centres mm	A 690 840 840	B 690 690 840 840	C 690 780 930 840 840	D 690 780 780 780 930 840 840

Inset lines denote pit opening Cover Beam L = Pit clear opening length S = Pit clear opening span

Note: For other pit clear opening sizes please refer to our technical department

Suitable for 11.5 tonne slow moving pneumatic wheel load. Cover test load - 400kN



Gatic Pave

Beam Size

The required beam size for Multispan covers is dependent on the pit clear opening length and the loading group.

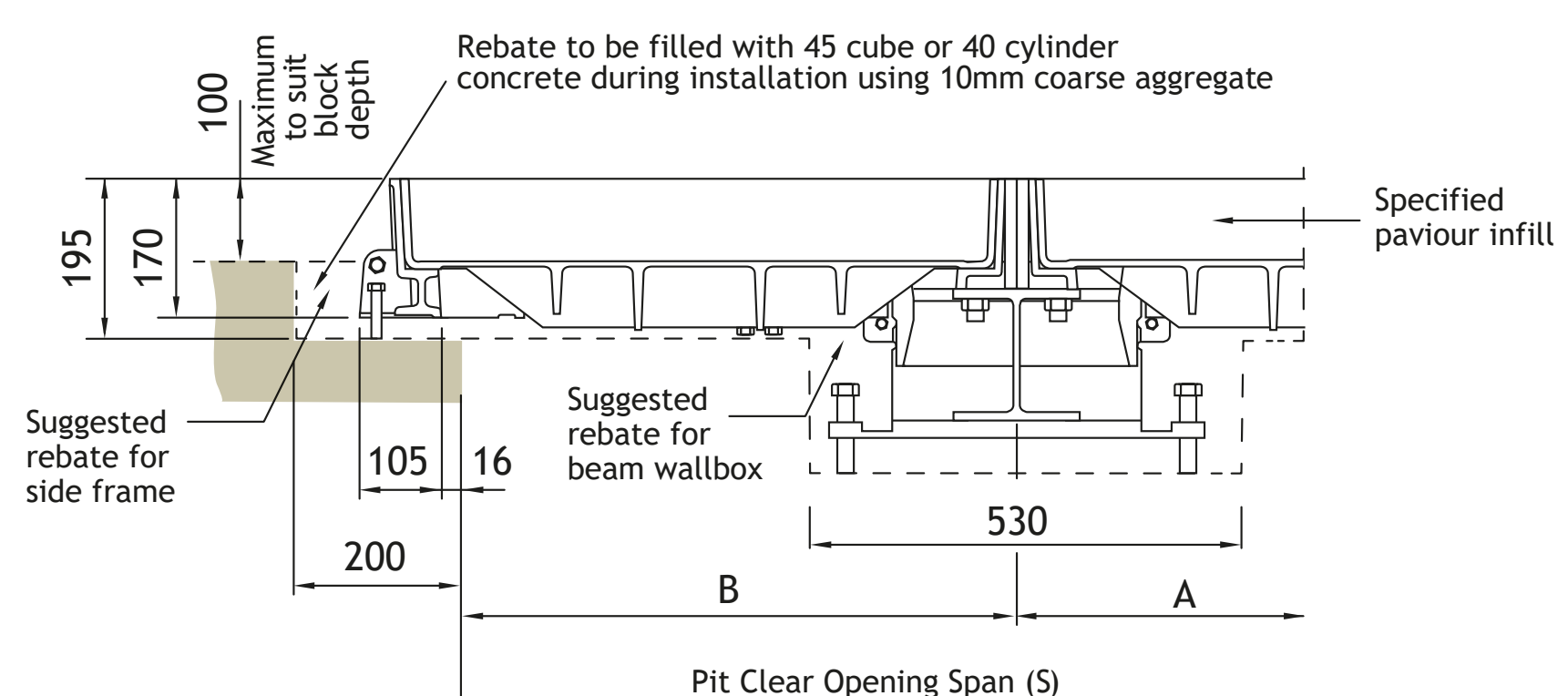
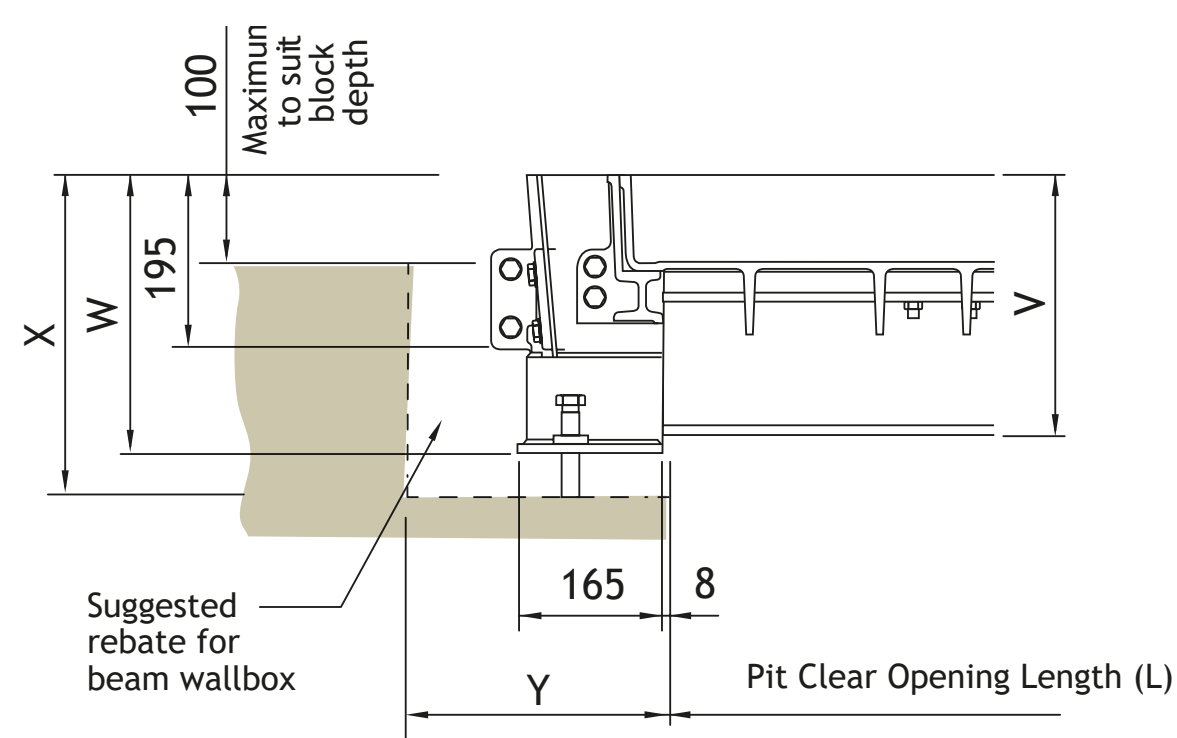
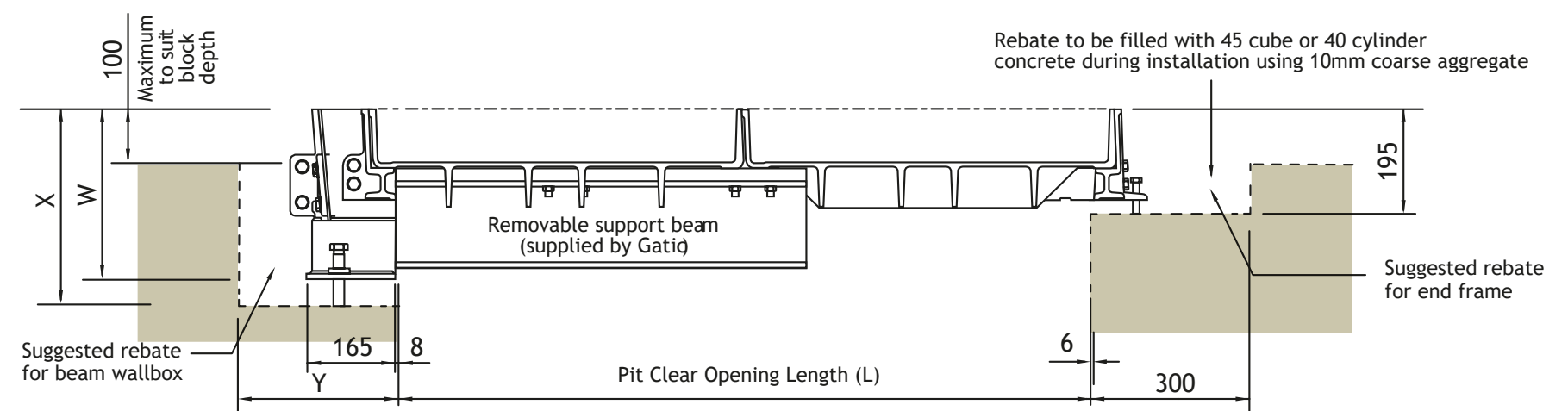
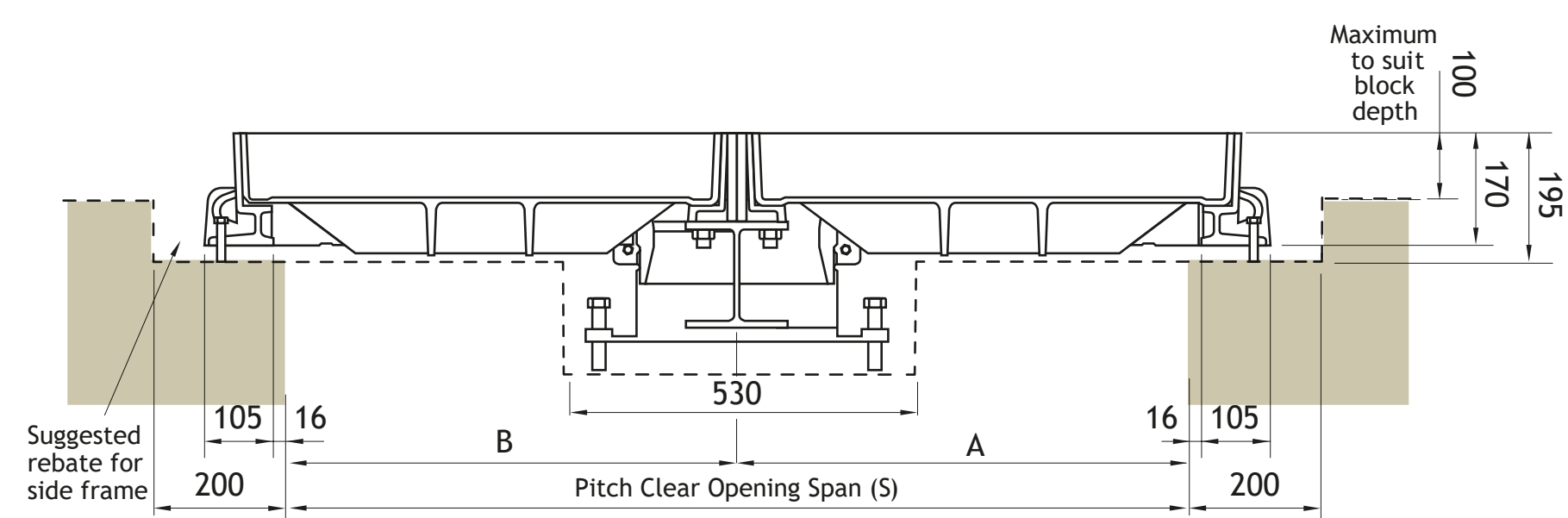
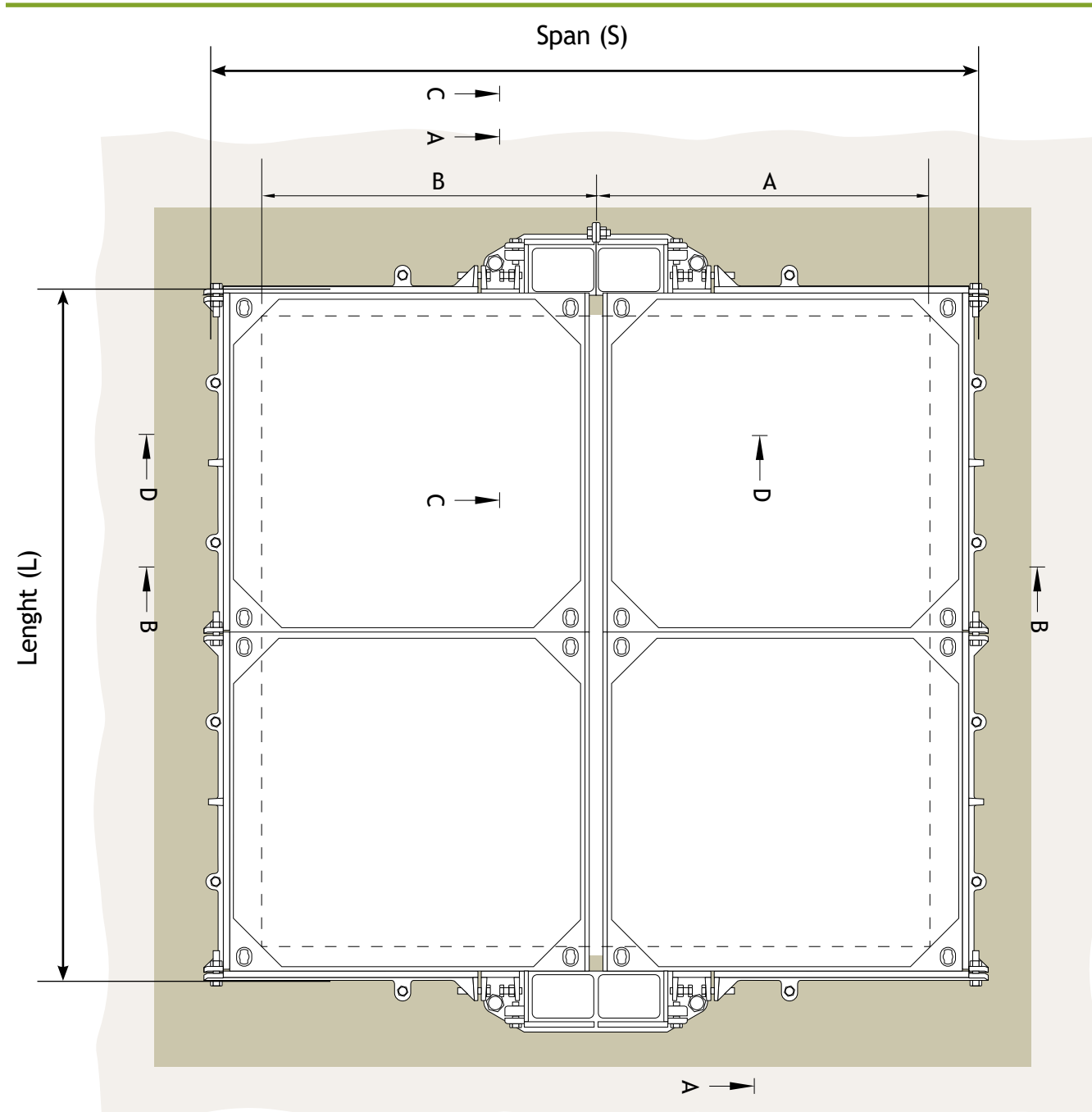
The table shows maximum beam length against beam size. The removable support beams are supplied by Gatic.

The table also indicates dimensions of the beam wallbox and rebate to suit different beam sizes. See also the accompanying

Support beam size chart

Removable support beam size	Max pit clear opening length (L)	Beam wallbox dimensions			
		V	W	X	Y
152 x 152 x 37 kg/m U.C	1750	297	319	365	230
203 x 203 x 52 kg/m U.C.	2300	341	363	405	230
305 x 165 x 54 kg/m U.B	2750	445	467	515	230
356 x 171 x 67 kg/m U.B	3150	498	520	570	300
457 x 152 x 82 kg/m U.B	3450	601	623	670	300
533 x 210 x 122 kg/m U.B	3900	680	702	750	300

Technical Diagrams



C250

*For roads carrying relatively slow-moving traffic
e.g. minor residential roads, cul-de-sacs, pedestrian
precincts, yards, etc*



Loading Group C250 Introduction

For roads carrying relatively slow-moving traffic eg, minor residential roads, cul-de-sacs, pedestrian precincts, yards, etc

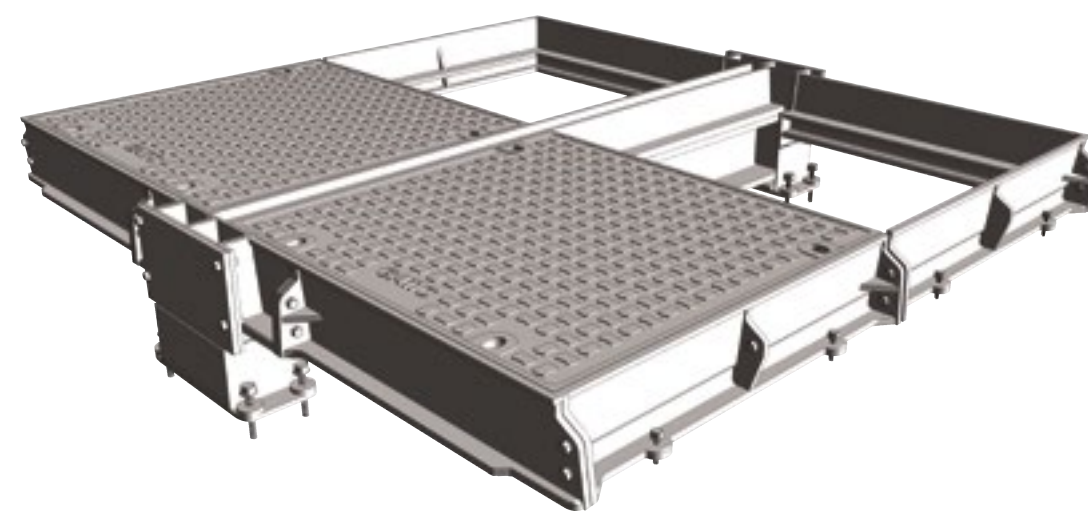
5 tonne slow moving wheel load, test load 250kN - Suitable for:

- Minor residential road
- Cul-de-sacs
- Pedestrian precincts
- Yards, etc



Solid top

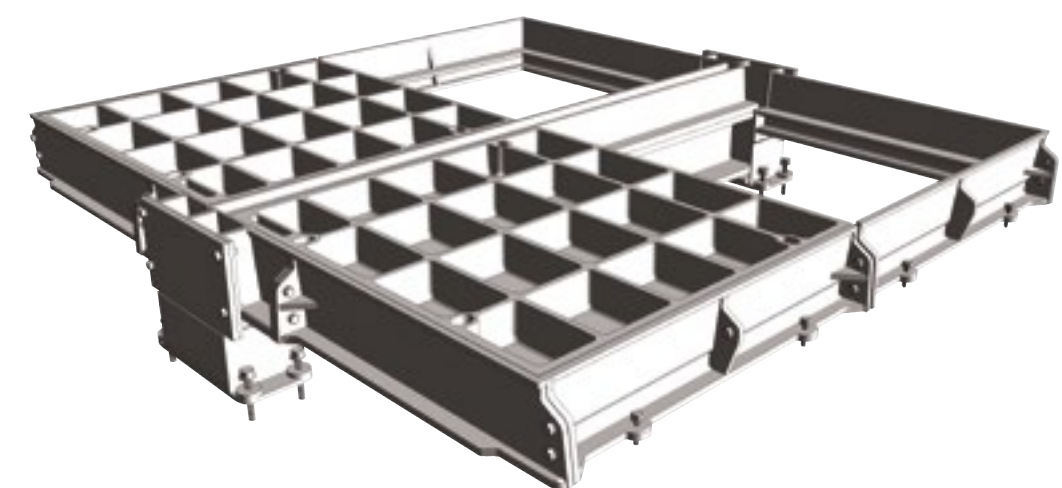
Solid top cover types are lighter in weight than recessed covers, and feature an anti-slip surface. Solid top covers are denoted by the code Type DLS and RSD depicted in section on the following pages.



Recessed for concrete infill

Recessed covers are available in a choice of designs designated by a 'Type' reference. C250 recessed covers are available as Type DLF, DM and DM/F. Section drawings of the different recessed cover types are shown on the following pages.

To prevent movement of covers in high traffic conditions, we recommend the use of a factory fitted vibration-resistant locking system. Can be fitted to recessed covers only.



Product Ranges

Single covers and frames



Duct covers and frames



Pave Infill



For Pave infill options for C250, please navigate to [Page 58](#)

[Click Here](#)

Continuous trench covers and frames



Multispan covers and frames



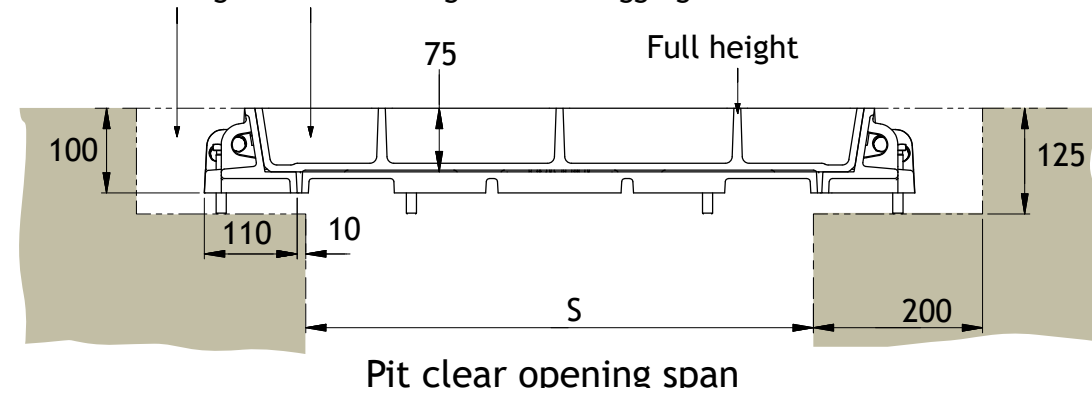
Single Recessed Covers and Frames



Pit clear opening sizes L x S	Cover type	Overall frame size length x width x depth	Suggested rebate size length x width x depth
750 x 300	DLF	900 x 540 x 75	1050 x 600 x 100
600 x 450	RRF	750 x 690 x 100	900 x 750 x 125
750 x 450	RRF	900 x 670 x 100	1150 x 850 x 125
600 x 600	DLF	770 x 840 x 75	900 x 900 x 100
750 x 600	DLF	920 x 840 x 75	1050 x 900 x 100
900 x 600	DLF	1070 x 840 x 75	1200 x 900 x 100
600 x 750	DLF	770 x 990 x 75	900 x 1050 x 100
750 x 750	DLF	920 x 990 x 75	1050 x 1050 x 100
900 x 750	DLF	1070 x 990 x 75	1200 x 1050 x 100
600 x 900	DLF	770 x 1140 x 75	900 x 1200 x 100
750 x 900	DLF	920 x 1140 x 75	1050 x 1200 x 100
900 x 900	DLF	1120 x 1140 x 75	1200 x 1200 x 100
600 x 1050	RRD	750 x 1290 x 100	1000 x 1450 x 125
750 x 1050	RRD	900 x 1290 x 100	1150 x 1450 x 125
1000 x 1050	DM	1220 x 1270 x 140	1400 x 1450 x 165
600 x 1200	RRD	750 x 1440 x 100	1000 x 1600 x 125
750 x 1200	RRD	900 x 1440 x 100	1150 x 1600 x 125
600 x 1500	DM/F	820 x 1720 x 140	1000 x 1900 x 165
750 x 1500	DM/F	970 x 1720 x 140	1150 x 1900 x 165

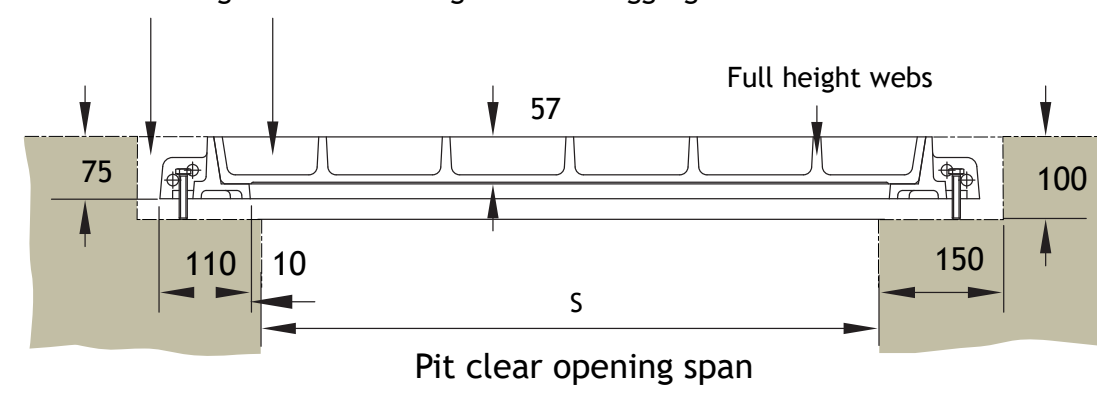
Technical Diagrams

Cover & rebates to be filled with 45 cube or 40 cylinder concrete during installation using 100 coard aggregate



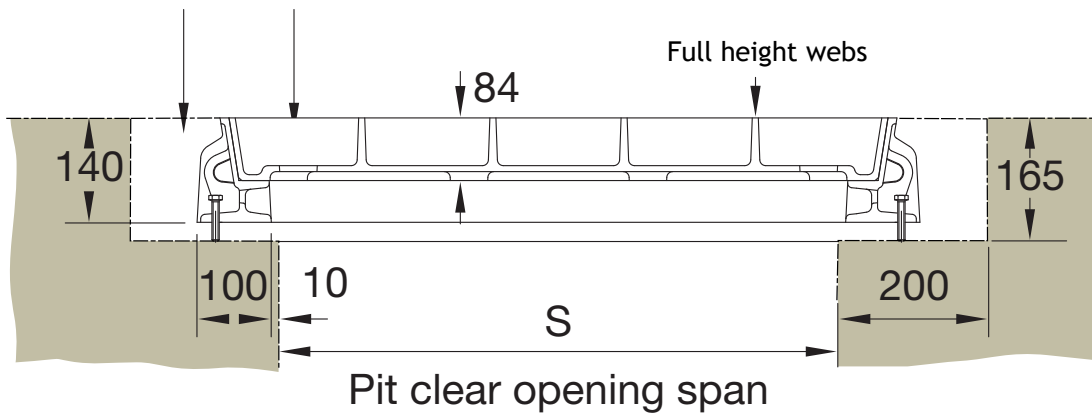
Type RRD / RRF

Cover & rebates to be filled with 45 cube or 40 cylinder concrete during installation using 100 coard aggregate

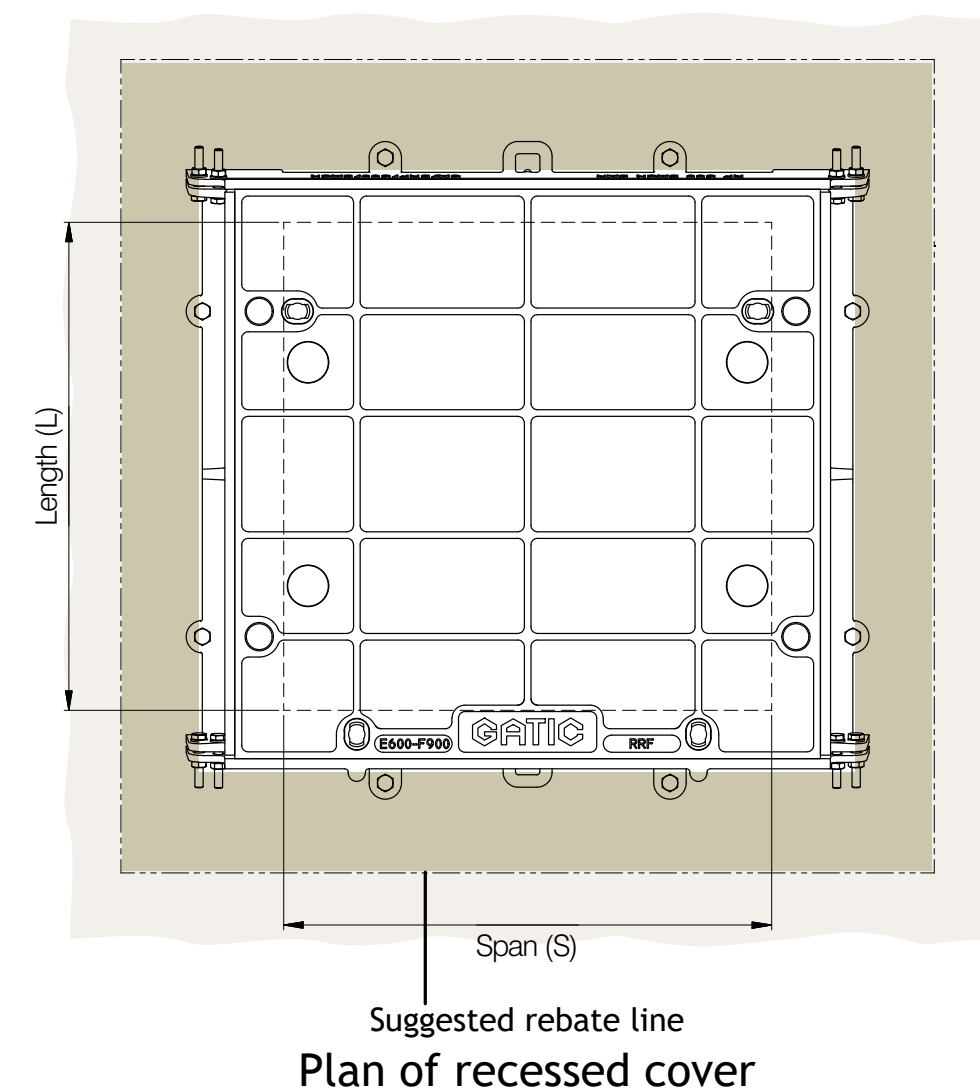


Type DLF

Cover & rebates to be filled with 45 cube or 40 cylinder concrete during installation using 100 coard aggregate



Type DM / DM/F

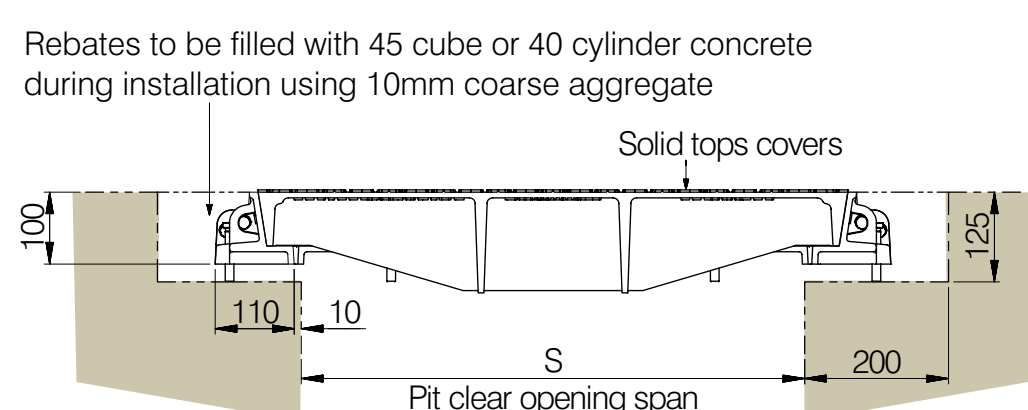


Single Solid Top Covers and Frames

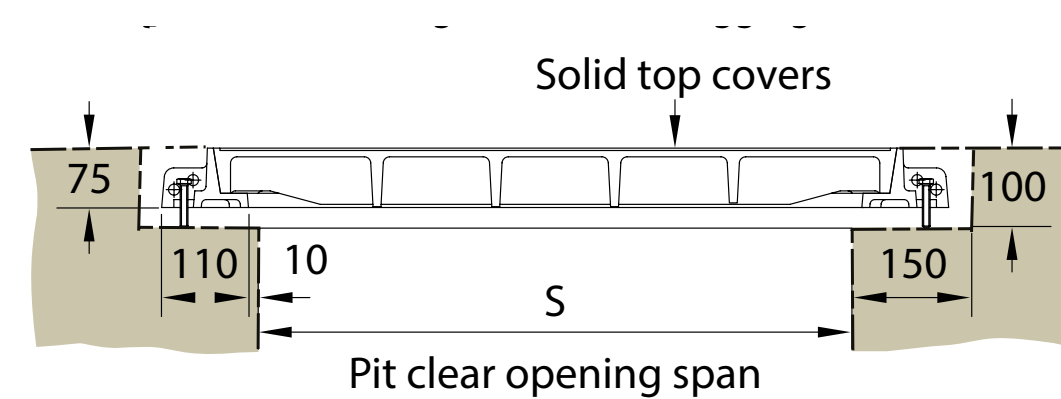


Pit clear opening sizes L x S	Cover type	Overall frame size length x width x depth	Suggested rebate size length x width x depth
600 x 600	DLS	770 x 840 x 75	900 x 900 x 100
750 x 600	DLS	920 x 840 x 75	1050 x 900 x 100
900 x 600	DLS	1070 x 840 x 75	1200 x 900 x 100
700 x 700	DLS	850 x 940 x 100	1100 x 1100 x 125
600 x 750	DLS	770 x 990 x 75	900 x 1050 x 100
750 x 750	DLS	920 x 990 x 75	1050 x 1050 x 100
900 x 750	DLS	1070 x 990 x 75	1200 x 1050 x 100
600 x 900	DLS	770 x 1040 x 75	900 x 1200 x 100
750 x 900	DLS	920 x 1040 x 75	1050 x 1200 x 100
900 x 900	DLS	1120 x 1040 x 75	1200 x 1200 x 100
600 x 1200	RSD	750 x 1420 x 100	1000 x 1600 x 125
750 x 1200	RSD	900 x 1420 x 100	1150 x 1600 x 125
1000 x 1000	RSD	1220 x 1240 x 100	1400 x 1400 x 125

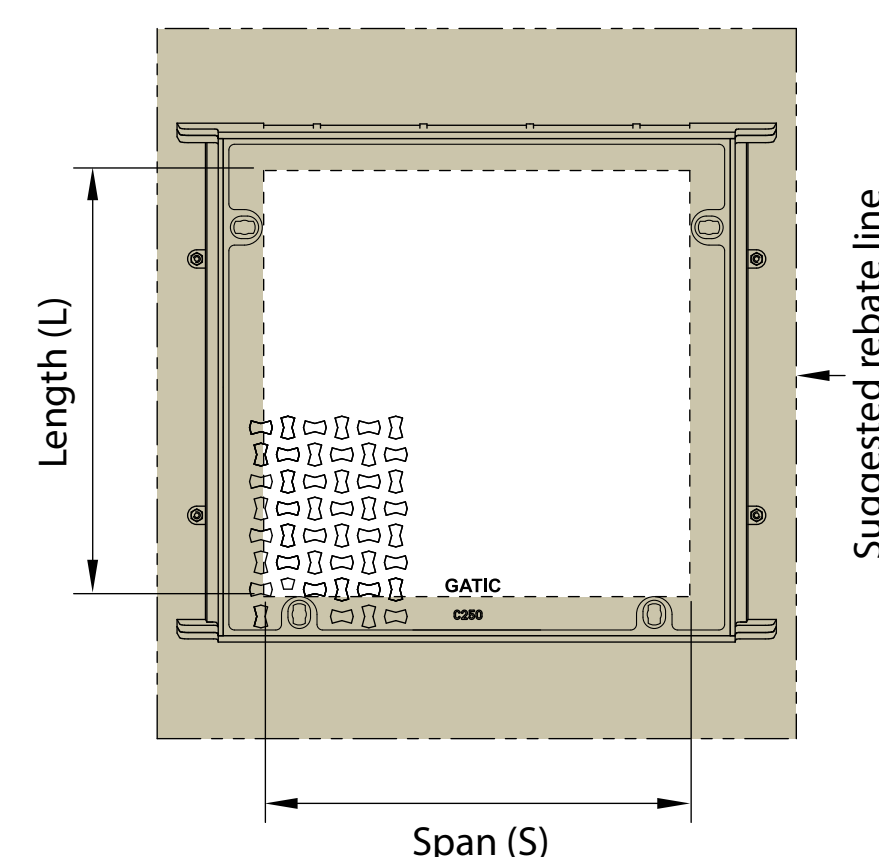
Technical Diagrams



Type RSD

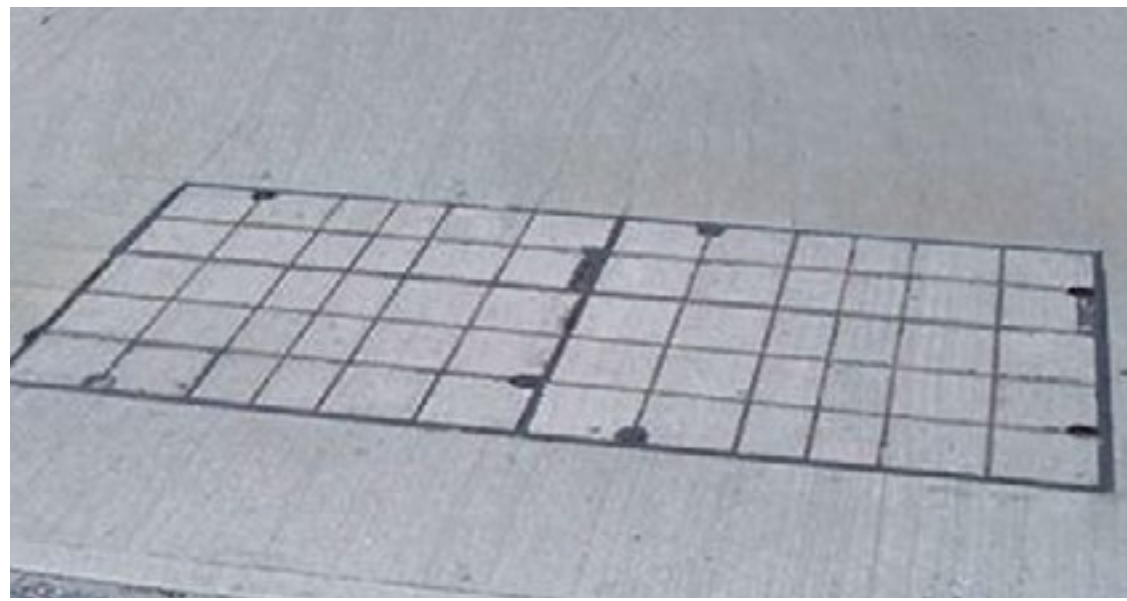


Type DLS



Plan of solid cover

Duct Recessed Covers & Frames

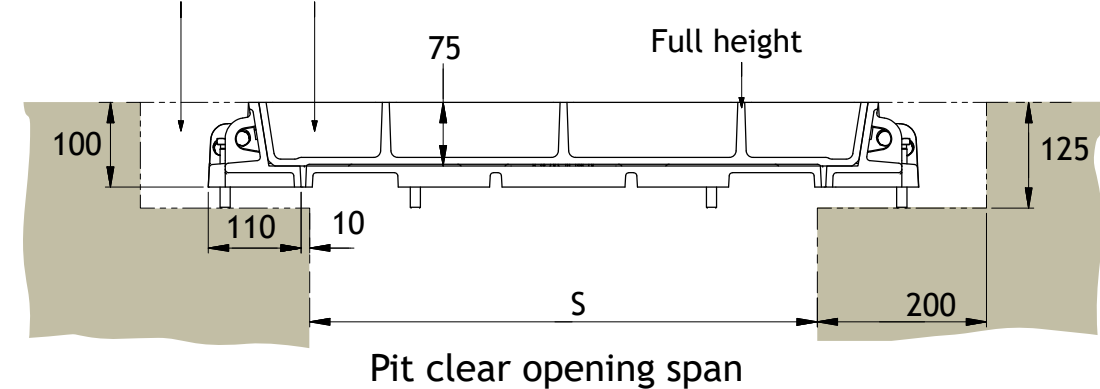


Pit clear opening span (S)	Cover type	Suggested rebate size length x width x depth	Standard pit clear opening length (L)											
			1300	1450	1600	1750	1900	2000	2150	2300	2450	2600	2700	2750
300	DLF	(L + 300) x 600 x 100	*	*	2	*	*	*	*	*	3	*	*	*
450	RRF	(L + 400) x 850 x 125	2	2	2	*	*	3	3	3	3	*	4	*
600	DLF	(L + 300) x 900 x 100	2	2	2	2	2	3	3	3	3	3	4	3
750	DLF	(L + 300) x 1050 x 100	2	2	2	2	2	3	3	3	3	3	4	3
900	DLF	(L + 300) x 1200 x 100	2	2	2	2	2	3	3	3	3	3	4	3
1050	RRD	(L + 400) x 1450 x 125	2	2	2	*	*	3	3	3	3	*	4	*
1200	RRD	(L + 400) x 1600 x 125	2	2	2	*	*	3	3	3	3	*	4	*
1500	DM/F	(L + 400) x 1900 x 165	2	2	2	*	*	3	3	3	3	*	4	*

Pit clear opening span (S)	Cover type	Suggested rebate size length x width x depth	Standard pit clear opening length (L)											
			2850	2900	3000	3150	3300	3400	3550	3700	3850	3900	4000	4150
300	DLF	(L + 300) x 600 x 100	*	*	*	*	4	*	*	*	*	*	*	5
450	RRF	(L + 400) x 850 x 125	4	*	4	4	4	5	5	5	5	5	*	5
600	DLF	(L + 300) x 900 x 100	4	3	4	4	4	5	5	5	5	4	5	5
750	DLF	(L + 300) x 1050 x 100	4	3	4	4	4	5	5	5	5	4	5	5
900	DLF	(L + 300) x 1200 x 100	4	3	4	4	4	5	5	5	5	4	5	5
1050	RRD	(L + 400) x 1450 x 125	4	*	4	4	4	5	5	5	5	*	5	5
1200	RRD	(L + 400) x 1600 x 125	4	*	4	4	4	5	5	5	5	*	5	5
1500	DM/F	(L + 400) x 1900 x 165	4	*	4	4	4	5	5	5	5	*	5	5

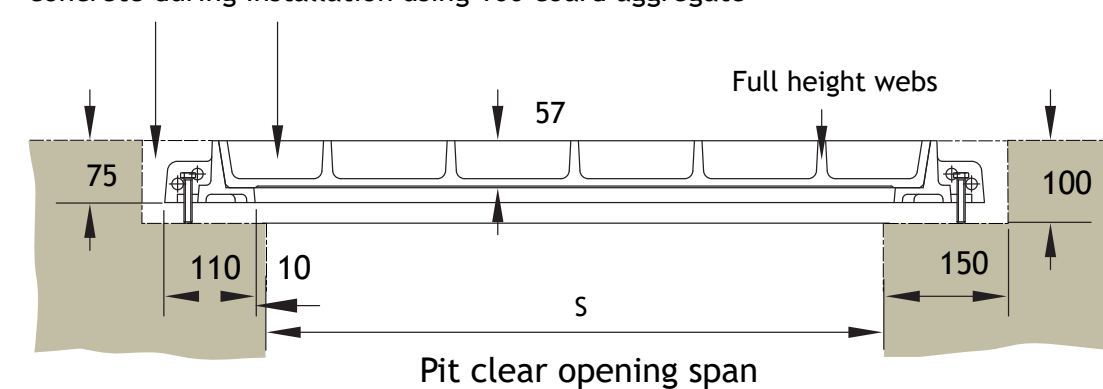
Technical Diagrams

Cover & rebates to be filled with 45 cube or 40 cylinder concrete during installation using 100 coard aggregate



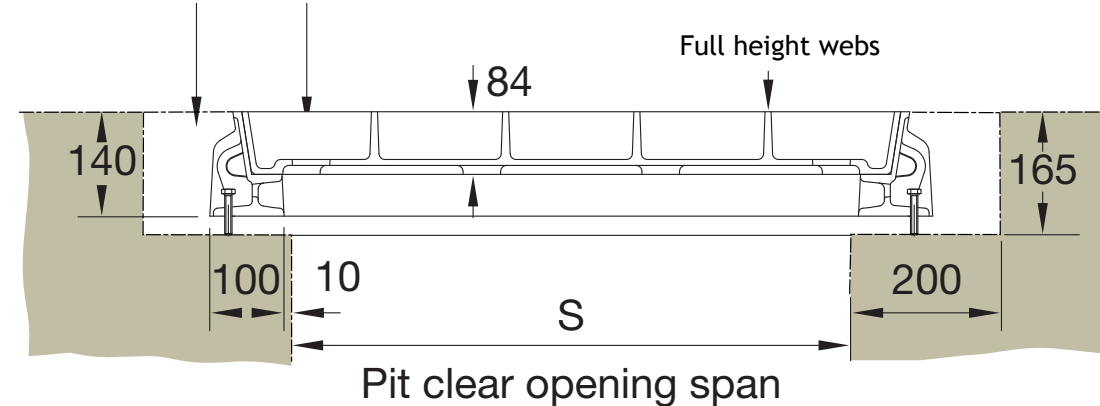
Type RRD/ RRF

Cover & rebates to be filled with 45 cube or 40 cylinder concrete during installation using 100 coard aggregate

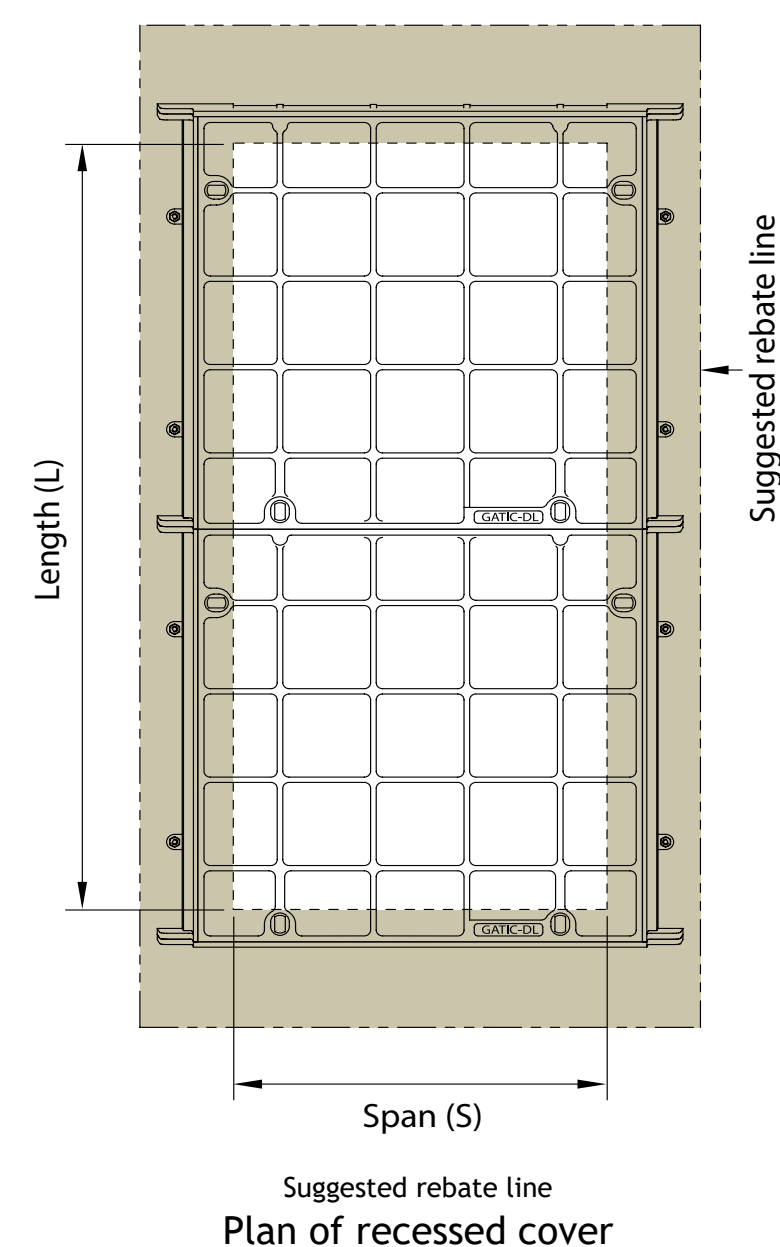


Type DLF

Cover & rebates to be filled with 45 cube or 40 cylinder concrete during installation using 100 coard aggregate



Type DM / DM/F



Duct Solid Top Covers and Frames

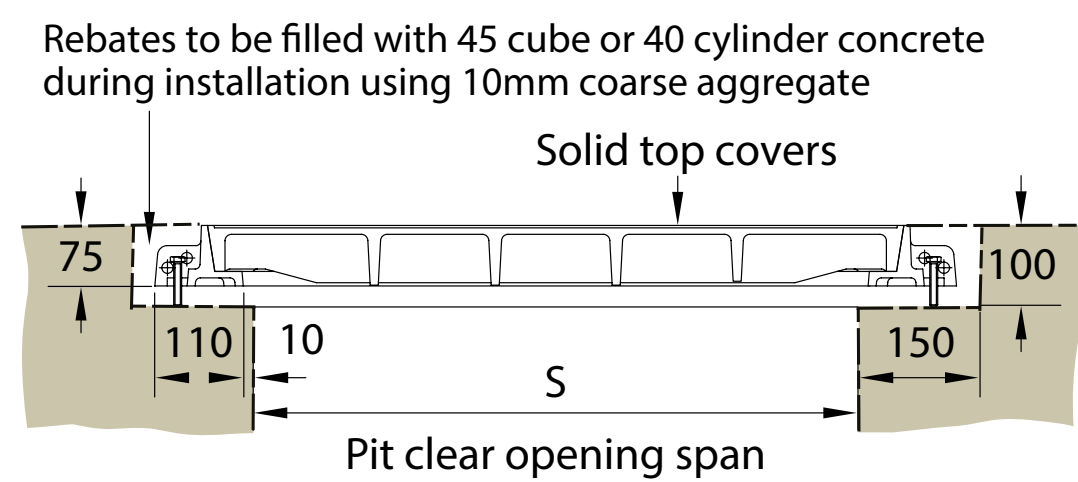


Pit clear opening span (S)	Cover type	Suggested rebate size length x width x depth	Standard pit clear opening length (L)												
			1300	1450	1600	1750	1900	2000	2150	2300	2450	2600	2700	2750	
600	DLS	(L + 300) x 900 x 100	2	2	2	2	2	3	3	3	3	3	4	3	
750	DLS	(L + 300) x 1050 x 100	2	2	2	2	2	3	3	3	3	3	4	3	
900	DLS	(L + 300) x 1200 x 100	2	2	2	2	2	3	3	3	3	3	4	3	
1200	RSD	(L + 400) x 1600 x 125	2	2	2	*	*	3	3	3	3	*	4	*	

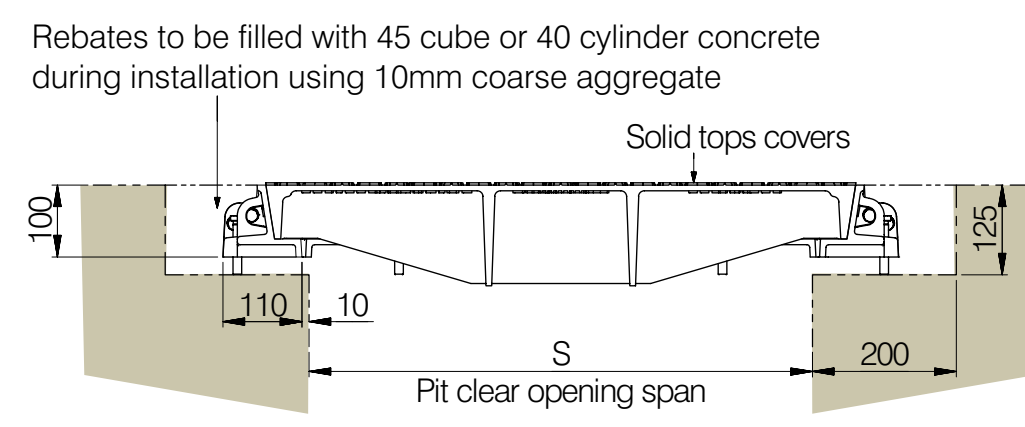
Pit clear opening span (S)	Cover type	Suggested rebate size length x width x depth	Standard pit clear opening length (L)												
			2850	2900	3000	3150	3300	3400	3550	3700	3850	3900	4000	4150	
600	DLS	(L + 300) x 900 x 100	4	3	4	4	4	5	5	5	5	5	4	5	5
750	DLS	(L + 300) x 1050 x 100	4	3	4	4	4	5	5	5	5	5	4	5	5
900	DLS	(L + 300) x 1200 x 100	4	3	4	4	4	5	5	5	5	5	4	5	5
1200	RSD	(L + 400) x 1600 x 125	4	*	4	4	4	5	5	5	5	5	*	5	5

* Indicates standard sizes not available. The number shown indicates the quantity of cover parts. Other standard sizes may be available, refer to our technical department.

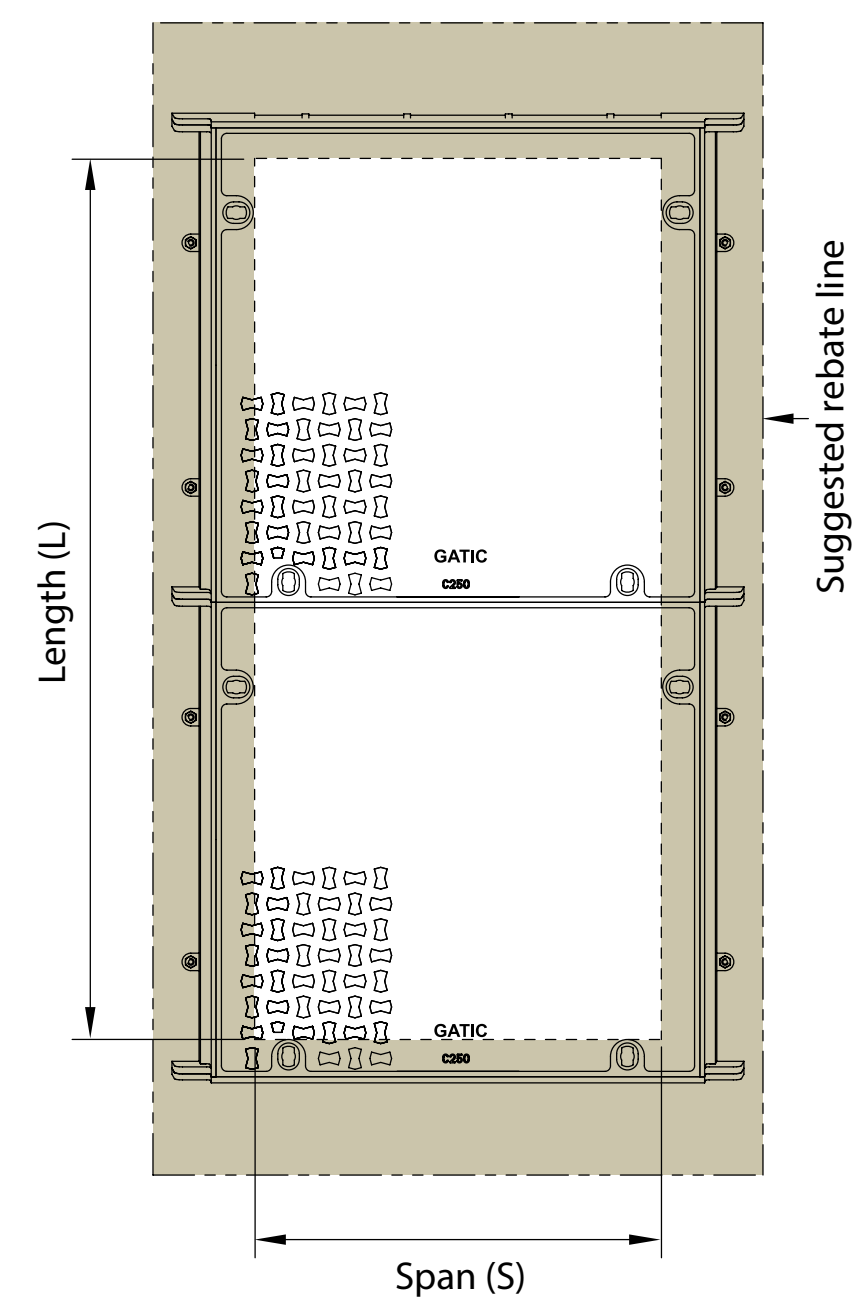
Technical Diagrams



Type DLS

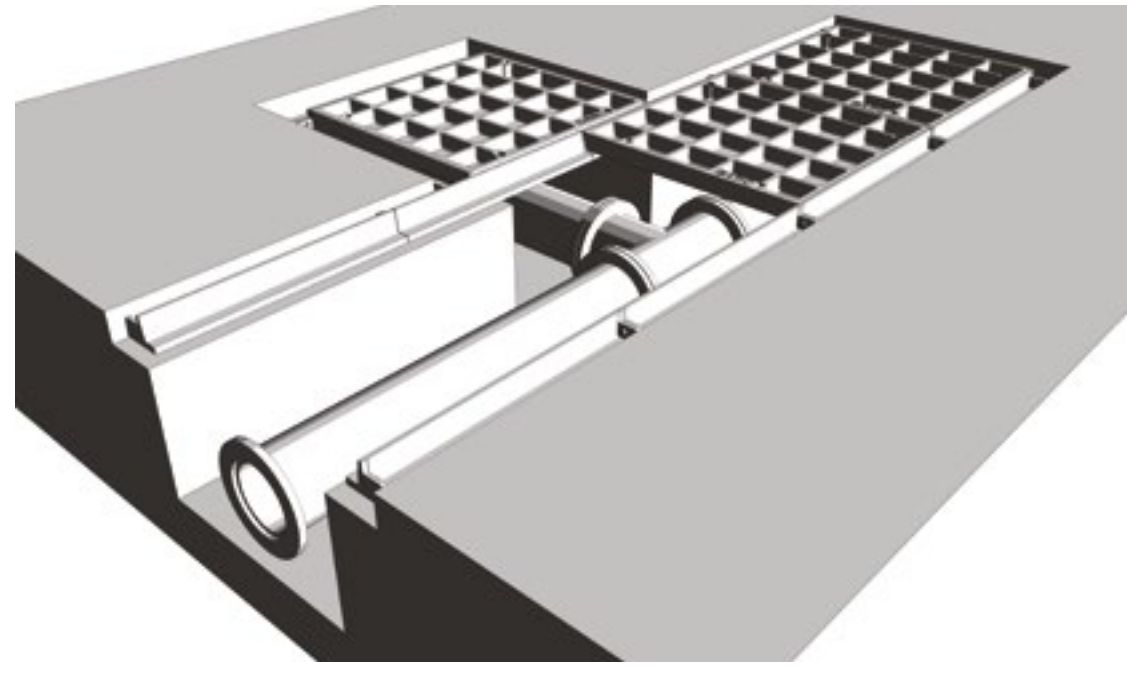


Type RSD



Plan of solid cover

Continuous Recessed Trench Cover and Frames



Pit clear opening span	Cover type
300	DLF
450	RRF
600	DLF
750	DLF
900	DLF
1050	DM
1050	RRD
1200	RRD
1500	DM/F

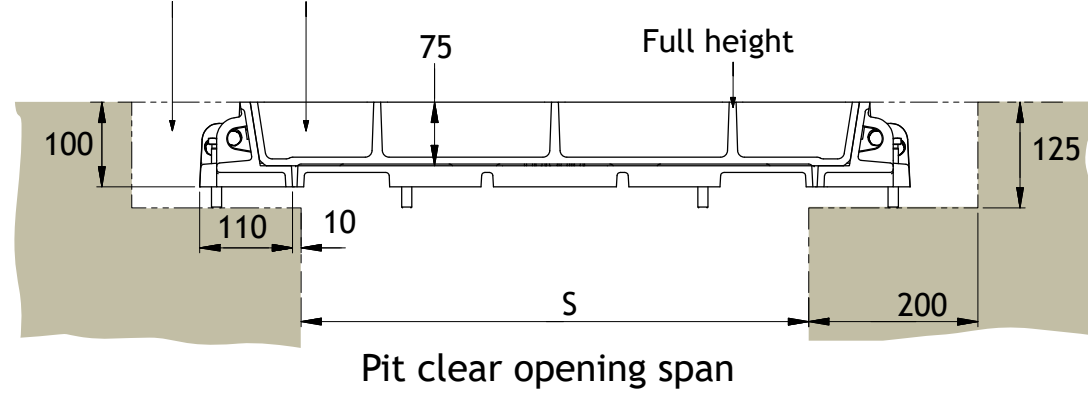
Gatic covers can be formed to make continuous trenches or layouts providing total access to services below.

Construction drawings are required so that Gatic cover layout drawings can be prepared.

Note: type DM/F refer to our technical department

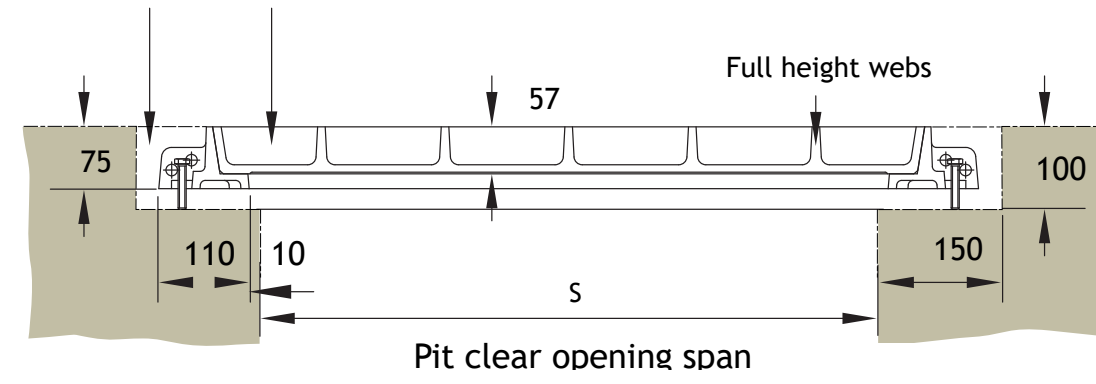
Technical Diagrams

Cover & rebates to be filled with 45 cube or 40 cylinder concrete during installation using 100 coard aggregate



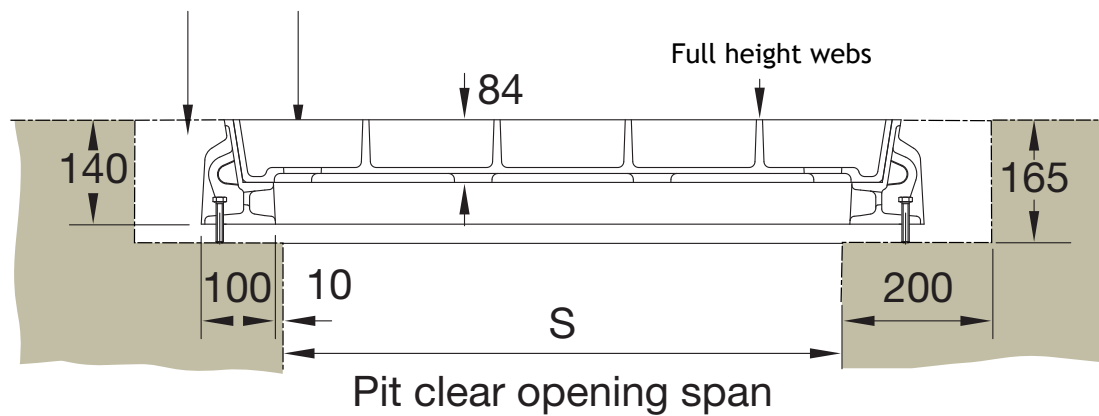
Type RRD/ RRF

Cover & rebates to be filled with 45 cube or 40 cylinder concrete during installation using 100 coard aggregate



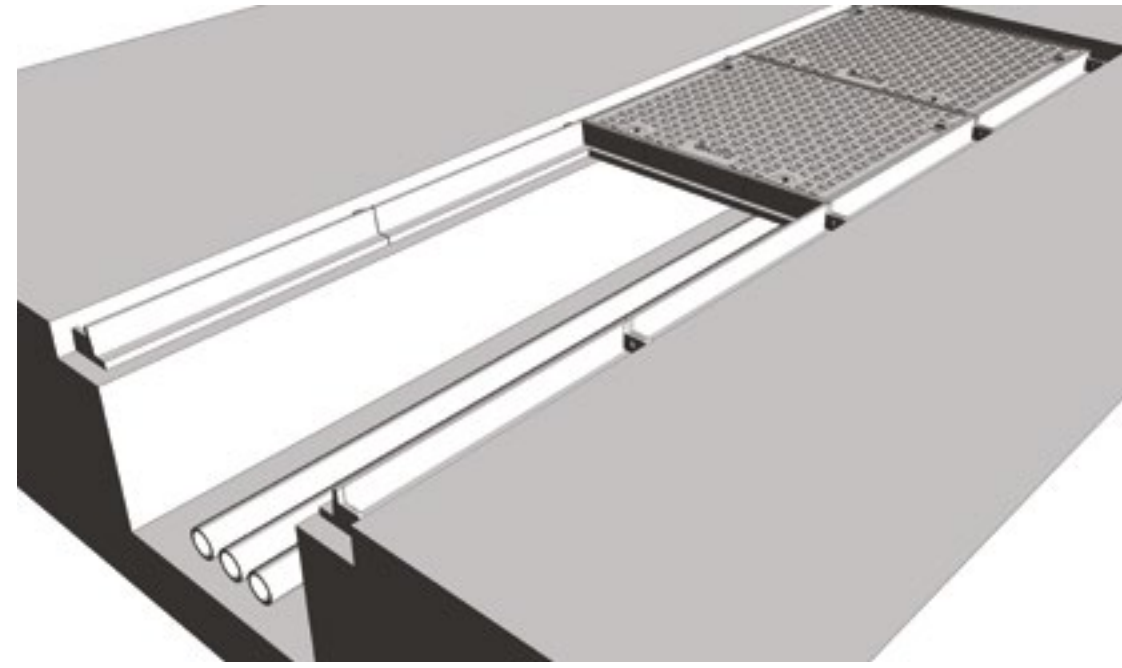
Type DLF

Cover & rebates to be filled with 45 cube or 40 cylinder concrete during installation using 100 coard aggregate



Type DM / DM/F

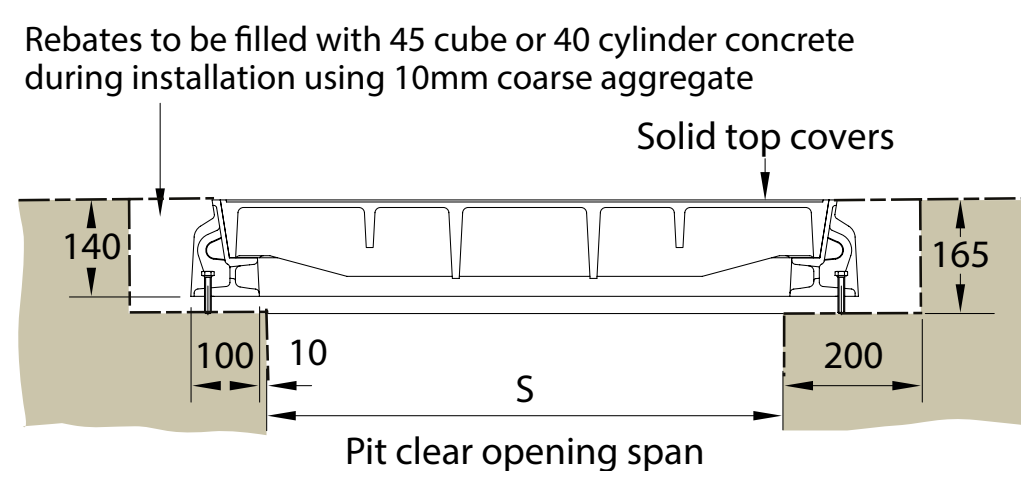
Continuous Solid Top Trench Cover and Frames



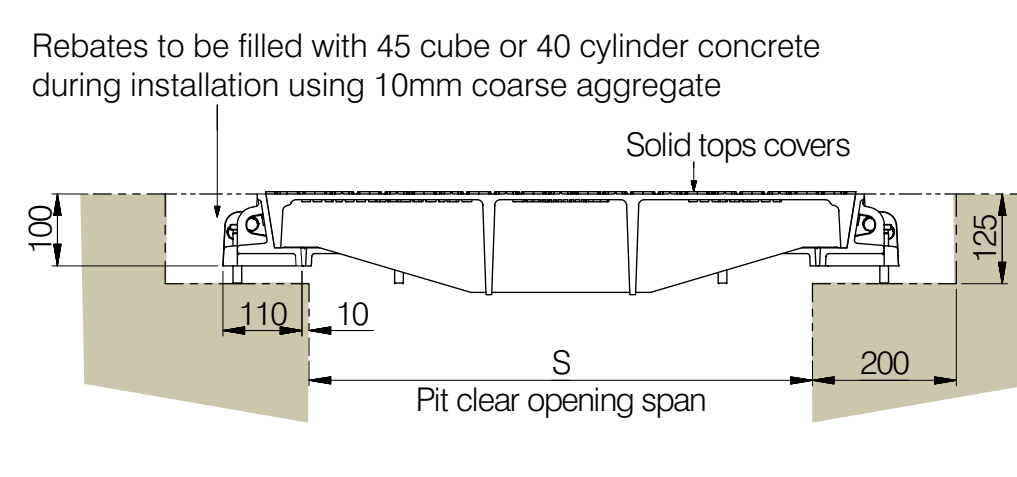
Pit clear opening span	Cover type
600	DLS
750	DLS
900	DLS
1000	RSD
1200	RSD

Standard solid top covers are supplied in straight runs. Junctions and splays can be achieved by the inclusion of localised recessed covers. Refer to our technical department for more information.

Technical Diagrams

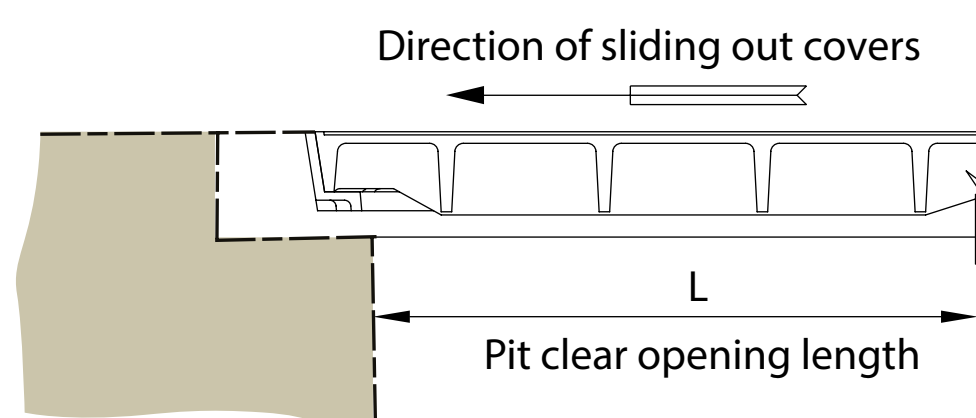


Type DLS

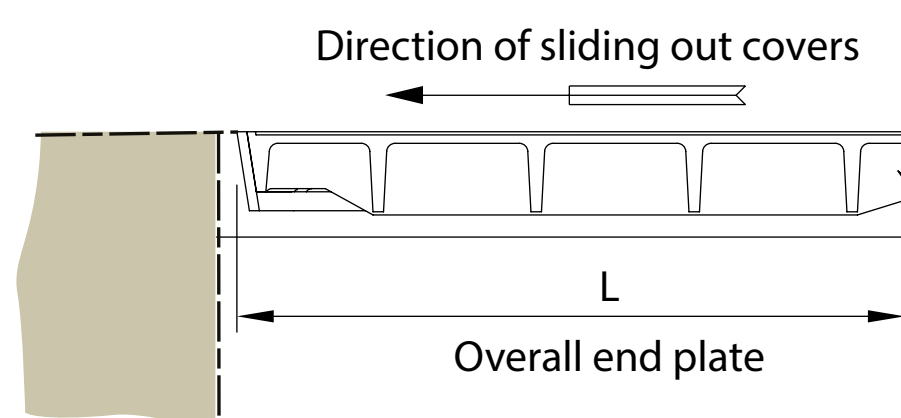


Type RSD

Rebates to be filled with 45 cube or 40 cylinder concrete during installation using 10mm coarse aggregate



End terminations



Multispan Covers & Frames



Type DLF recessed

Type DLS solid top

Beam Size

The required beam size for Multispan covers is dependent on the pit clear opening length and the loading group.

The table shows maximum beam length against beam size. The removable support beams are supplied by Gatic.

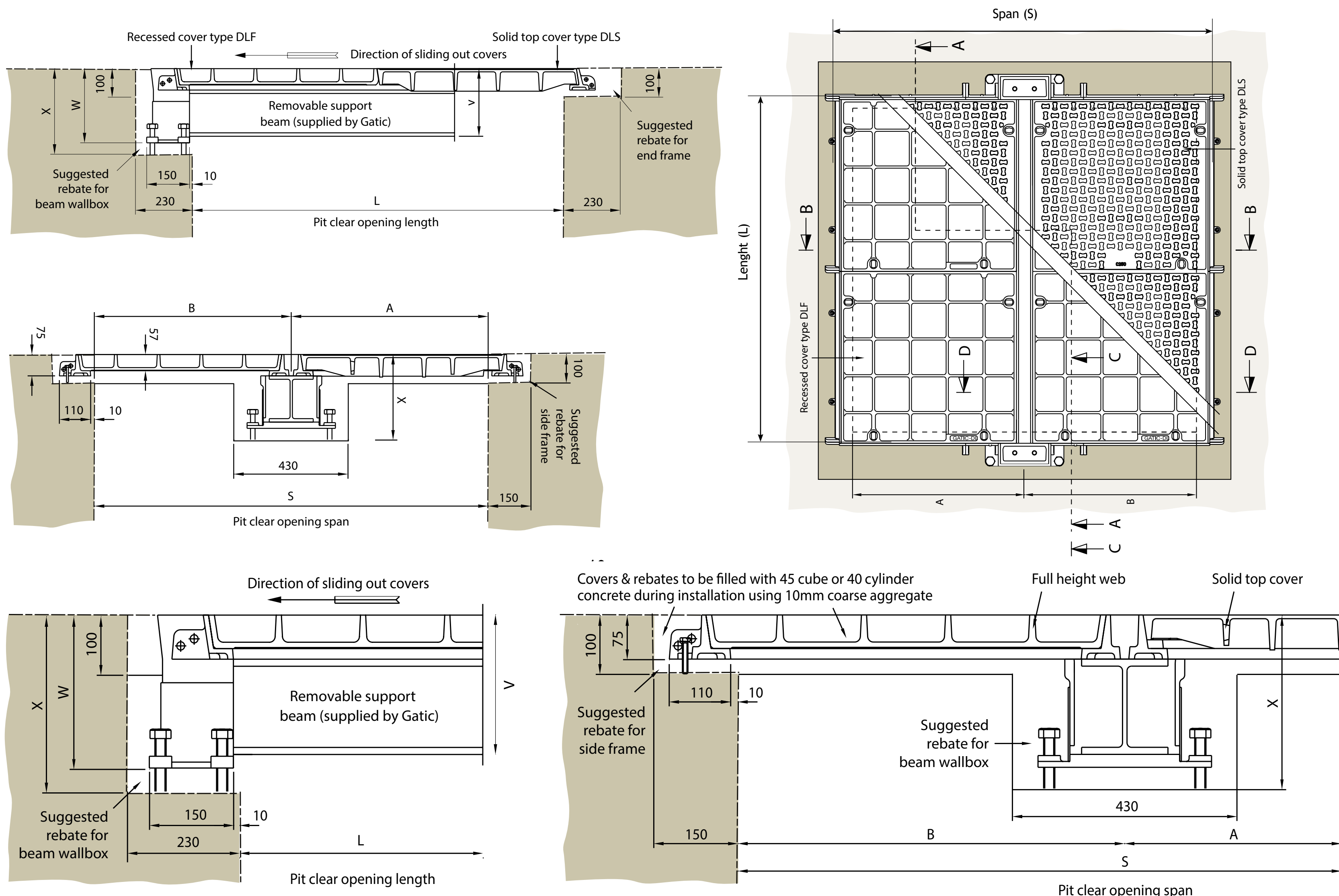
The table also indicates dimensions of the beam wallbox and rebate to suit different beam sizes. See also the accompanying section details.

Support beam size chart

Removable support beam size	Max pit clear opening length (L)	Beam wallbox dimensions			
		V	W	X	Y
152 x 152 x 37 kg/m U.C	2450	237	259	300	230
203 x 203 x 52 kg/m U.C.	3150	281	303	345	230
305 x 165 x 54 kg/m U.B	3750	385	407	450	230
356 x 171 x 67 kg/m U.B	3900	438	460	505	230

Note: Removable support beams are supplied by Gatic

Technical Diagrams



B125

Footways, pedestrian areas, car parks, driveways and internal floors



Introduction

Footways, pedestrian areas, car parks, driveways and internal floors

3 tonne wheel load, test load 125kN - Suitable for:

- Footways
- Pedestrian areas
- Car parks
- Driveways
- Internal floors

B125 assemblies are available with a choice of cover designs - recessed or solid top.



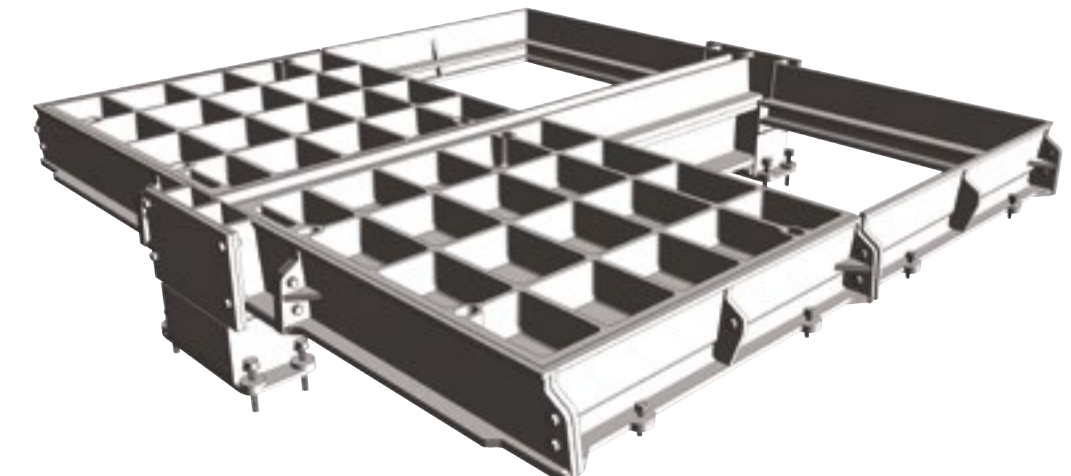
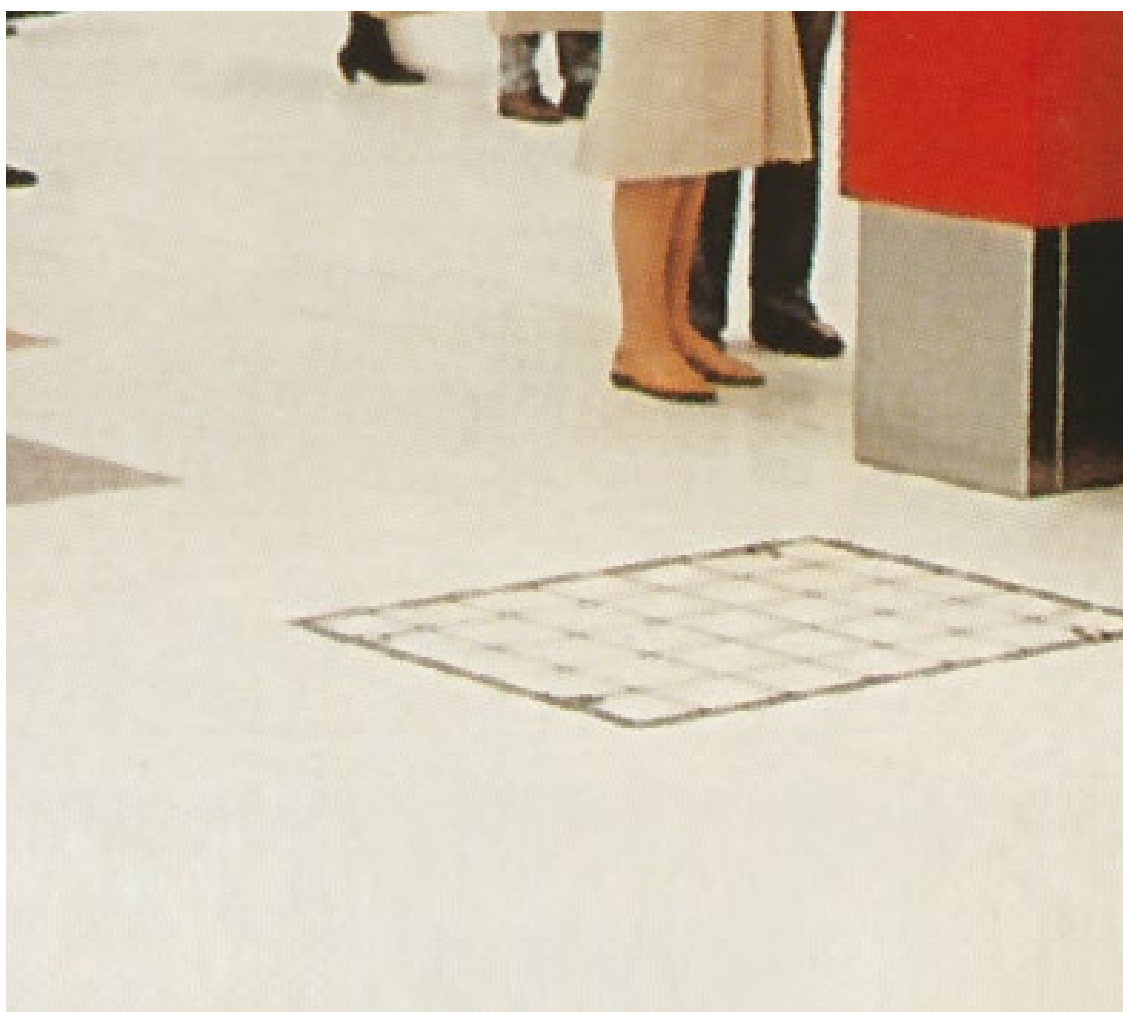
Recessed for concrete infill

Recessed covers are available in a choice of designs designated by a 'Type' reference. B125 recessed covers are available as Type DL, DLF and DM/F. Section drawings of the different recessed cover types are shown on the following pages.

To prevent movement of covers in high traffic conditions, we recommend the use of a factory fitted vibration-resistant locking system. Can be fitted to recessed covers only.

Solid top

Solid top cover types are lighter in weight than recessed covers, and feature an anti-slip surface. Solid top covers are denoted by the code Type DLS and RSD depicted in section on the following pages.



Product Ranges

Single covers and frames



Duct covers and frames



Continuous trench covers and frames



Multispan covers and frames



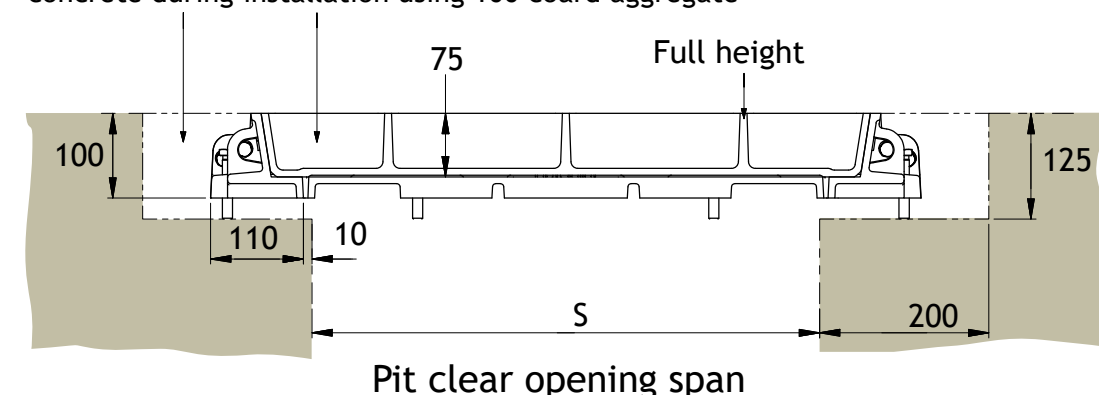
Single Recessed Covers and Frames



Pit clear opening sizes	Cover type	Overall frame size length x width x depth	Suggested rebate size length x width x depth
750 x 300	DLF	900 x 540 x 75	1050 x 600 x 100
600 x 450	RRF	750 x 690 x 100	1000 x 850 x 125
750 x 450	RRF	900 x 690 x 100	1150 x 850 x 125
600 x 600	DLF	770 x 840 x 75	900 x 900 x 100
750 x 600	DLF	920 x 840 x 75	1050 x 900 x 100
900 x 600	DLF	1070 x 840 x 75	1200 x 900 x 100
600 x 750	DLF	770 x 990 x 75	900 x 1050 x 100
750 x 750	DLF	920 x 990 x 75	1050 x 1050 x 100
900 x 750	DLF	1070 x 990 x 75	1200 x 1050 x 100
600 x 900	DLF	770 x 1140 x 75	900 x 1200 x 100
750 x 900	DLF	920 x 1140 x 75	1050 x 1200 x 100
900 x 900	DLF	1120 x 1140 x 75	1200 x 1200 x 100
600 x 1050	RRD	750 x 1290 x 100	1000 x 1350 x 125
750 x 1050	RRD	900 x 1290 x 100	1150 x 1350 x 125
1000 x 1050	DM	1220 x 1270 x 140	1400 x 1450 x 165
600 x 1200	RRD	750 x 1440 x 100	1000 x 1600 x 125
750 x 1200	RRD	900 x 1440 x 100	1150 x 1600 x 125
600 x 1500	DM/F	820 x 1720 x 140	1000 x 1900 x 165
750 x 1500	DM/F	970 x 1720 x 140	1150 x 1900 x 165

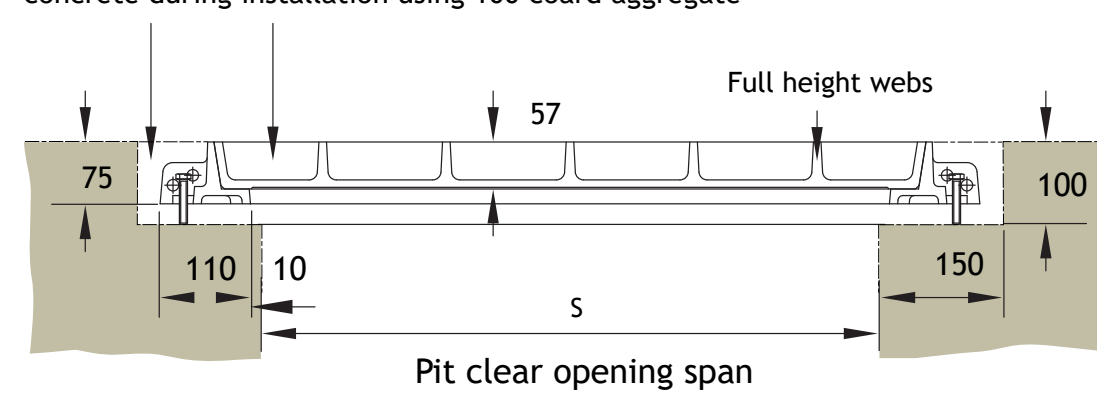
Technical Diagrams

Cover & rebates to be filled with 45 cube or 40 cylinder concrete during installation using 100 coard aggregate



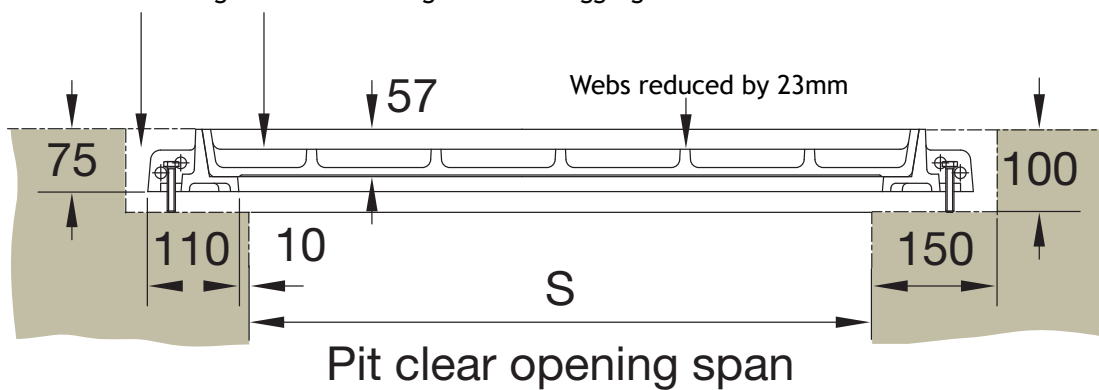
Type RRF

Cover & rebates to be filled with 45 cube or 40 cylinder concrete during installation using 100 coard aggregate



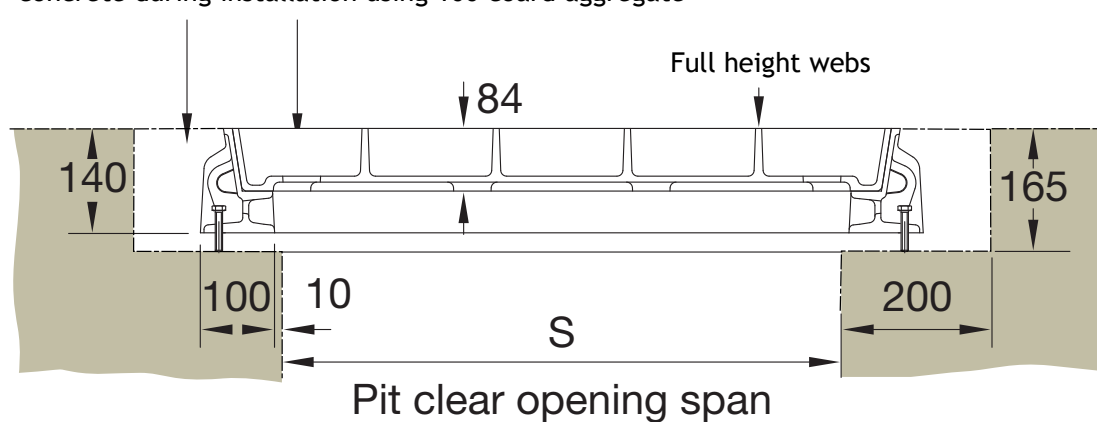
Type DLF

Cover & rebates to be filled with 45 cube or 40 cylinder concrete during installation using 100 coard aggregate

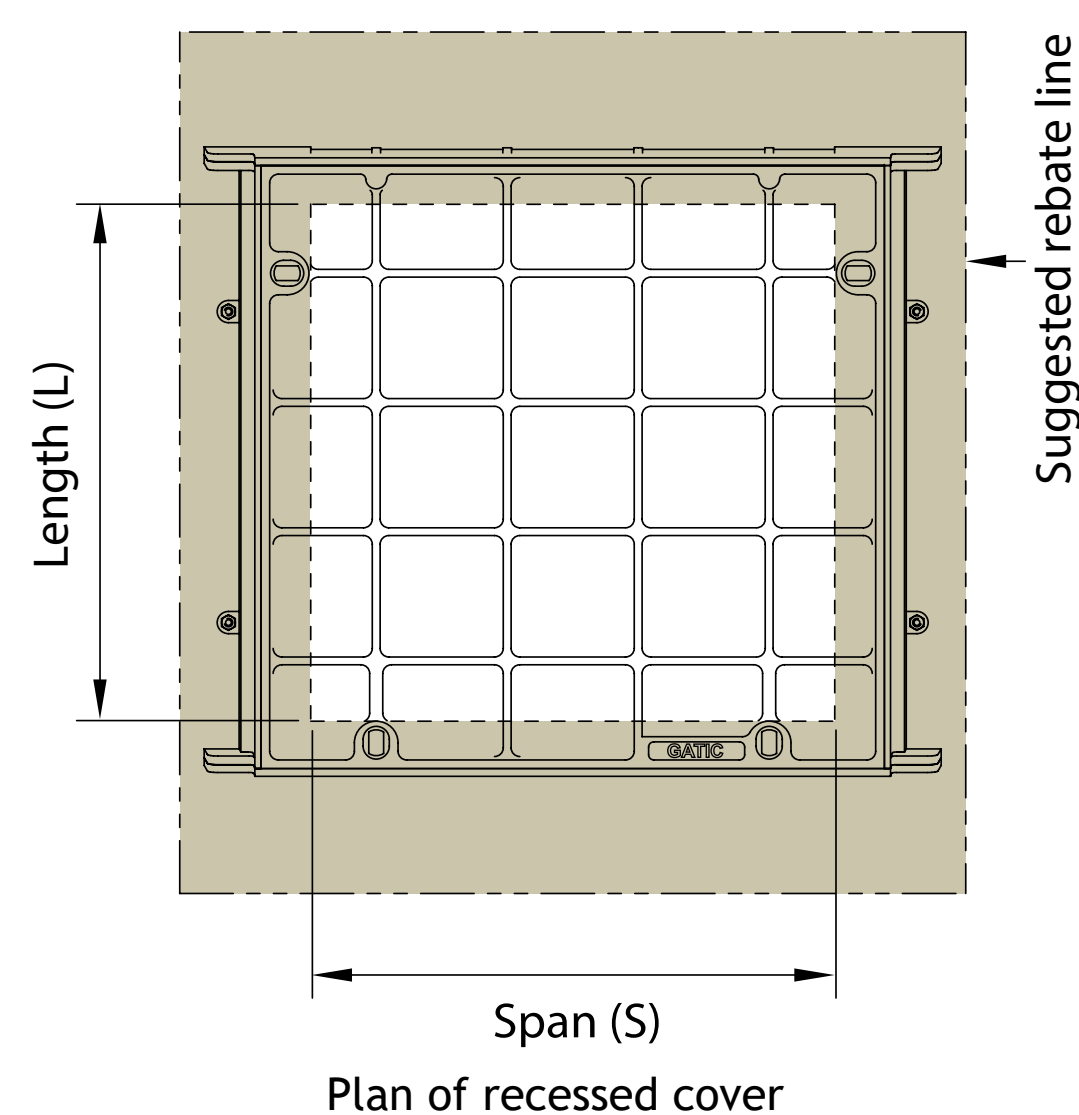


Type DL

Cover & rebates to be filled with 45 cube or 40 cylinder concrete during installation using 100 coard aggregate



Type DM / DM/F

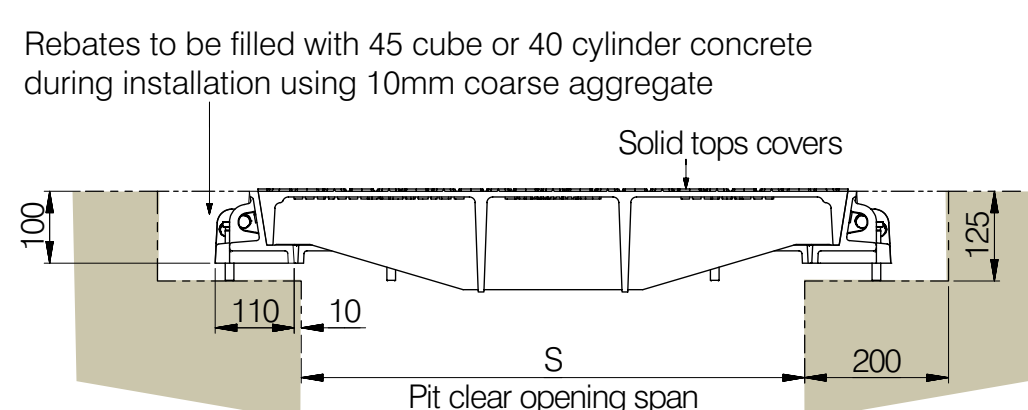


Single Solid Top Covers and Frames

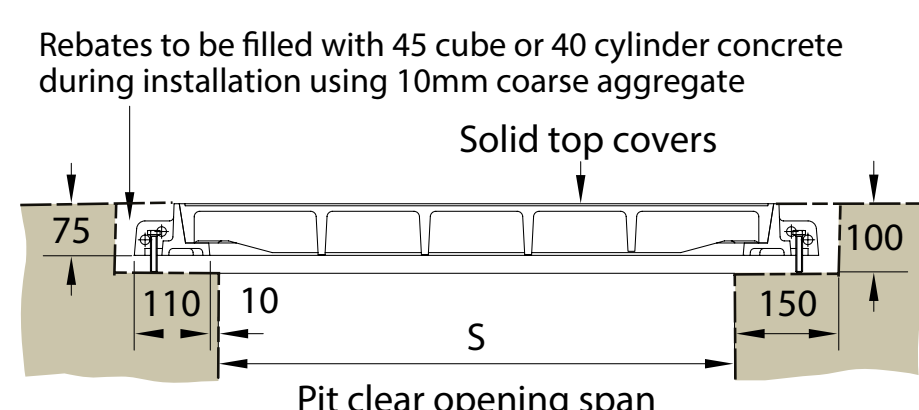


Pit clear opening sizes	Cover type	Overall frame size length x width x depth	Suggested rebate size length x width x depth
600 x 600	DLS	770 x 840 x 75	900 x 900 x 100
750 x 600	DLS	920 x 840 x 75	1050 x 900 x 100
900 x 600	DLS	1070 x 840 x 75	1200 x 900 x 100
700 x 700	DLS	850 x 940 x 100	1100 x 1100 x 125
600 x 750	DLS	770 x 990 x 75	900 x 1050 x 100
750 x 750	DLS	920 x 990 x 75	1050 x 1050 x 100
900 x 750	DLS	1070 x 990 x 75	1200 x 1050 x 100
600 x 900	DLS	770 x 1040 x 75	900 x 1200 x 100
750 x 900	DLS	920 x 1040 x 75	1050 x 1200 x 100
900 x 900	DLS	1120 x 1140 x 75	1200 x 1200 x 100
1000 x 1000	RSD	1220 x 1240 x 100	1400 x 1400 x 125
600 x 1200	RSD	750 x 1420 x 100	1000 x 1600 x 125
750 x 1200	RSD	900 x 1420 x 100	1150 x 1600 x 125

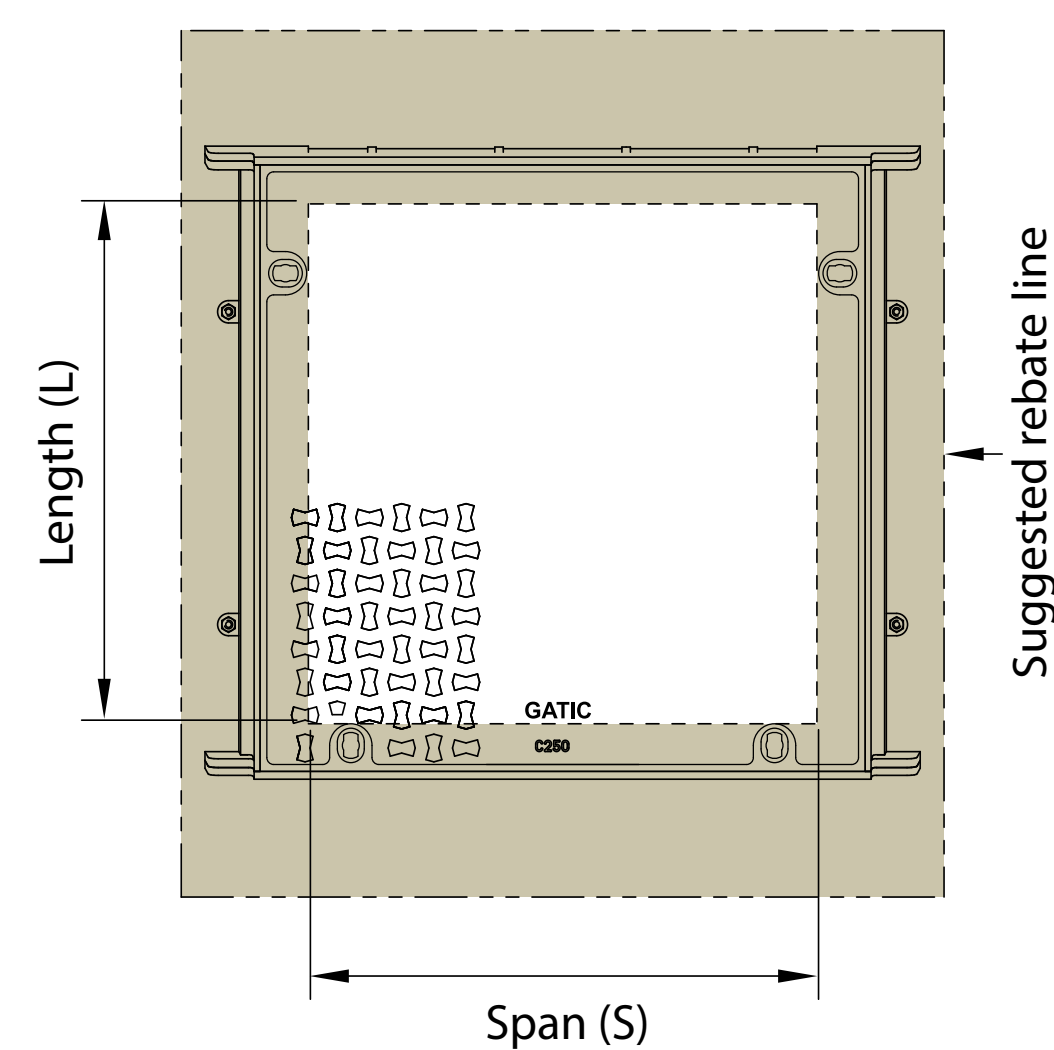
Technical Diagrams



Type RSD



Type DLS



Plan of solid cover

Duct Recessed Covers and Frames

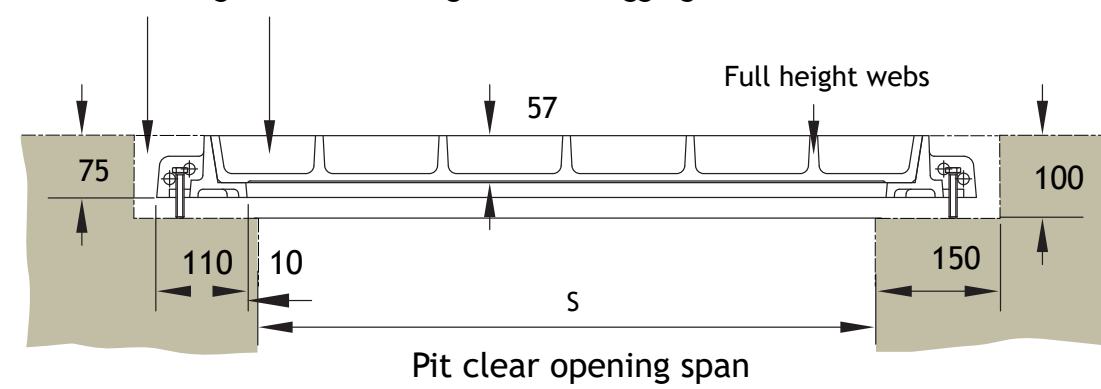


Pit clear opening span (S)	Cover type	Suggested rebate size length x width x depth	Standard pit clear opening length (L)											
			1300	1450	1600	1750	1900	2000	2150	2300	2450	2600	2700	2750
300	DLF	(L + 300) x 600 x 100	*	*	2	*	*	*	*	*	3	*	*	*
450	RRF	(L + 400) x 850 x 125	2	2	2	2	*	3	3	3	3	*	4	*
600	DLF	(L + 300) x 900 x 100	2	2	2	2	2	3	3	3	3	3	4	3
750	DLF	(L + 300) x 1050 x 100	2	2	2	2	2	3	3	3	3	3	4	3
900	DLF	(L + 300) x 1200 x 100	2	2	2	2	2	3	3	3	3	3	4	3
1050	RRD	(L + 400) x 1450 x 125	2	2	2	*	*	3	3	3	3	*	4	*
1200	RRD	(L + 400) x 1600 x 125	2	2	2	*	*	3	3	3	3	*	4	*
1500	DM/F	(L + 400) x 1900 x 165	2	2	2	*	*	3	3	3	3	*	4	*

Pit clear opening span (S)	Cover type	Suggested rebate size length x width x depth	Standard pit clear opening length (L)											
			2850	2900	3000	3150	3300	3400	3550	3700	3850	3900	4000	4150
300	DLF	(L + 300) x 600 x 100	*	*	*	*	4	*	*	*	*	*	*	5
450	RRF	(L + 400) x 850 x 125	4	*	4	4	4	5	5	5	5	*	5	5
600	DLF	(L + 300) x 900 x 100	4	3	4	4	4	5	5	5	5	4	5	5
750	DLF	(L + 300) x 1050 x 100	4	3	4	4	4	5	5	5	5	4	5	5
900	DLF	(L + 300) x 1200 x 100	4	3	4	4	4	5	5	5	5	4	5	5
1050	RRD	(L + 400) x 1450 x 125	4	*	4	4	4	5	5	5	5	*	5	5
1200	RRD	(L + 400) x 1600 x 125	4	*	4	4	4	5	5	5	5	*	5	5
1500	DM/F	(L + 400) x 1900 x 165	4	*	4	4	4	5	5	5	5	*	5	5

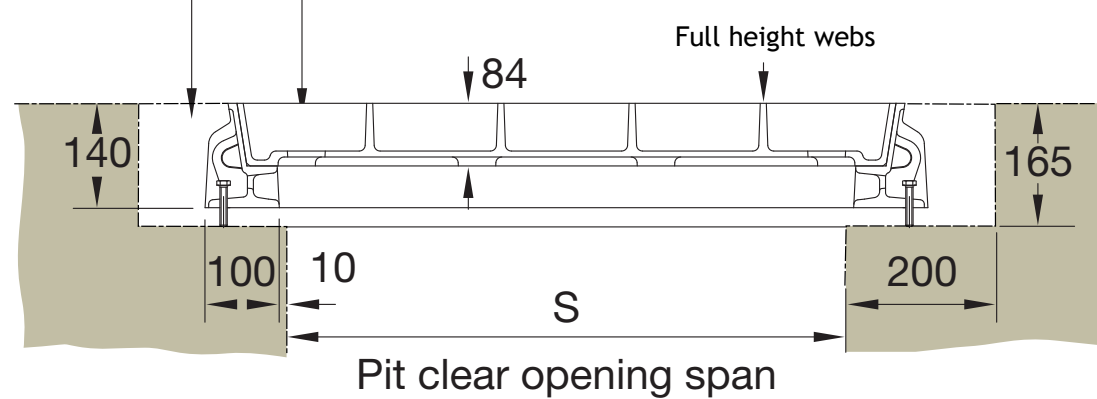
Technical Diagrams

Cover & rebates to be filled with 45 cube or 40 cylinder concrete during installation using 100 coard aggregate



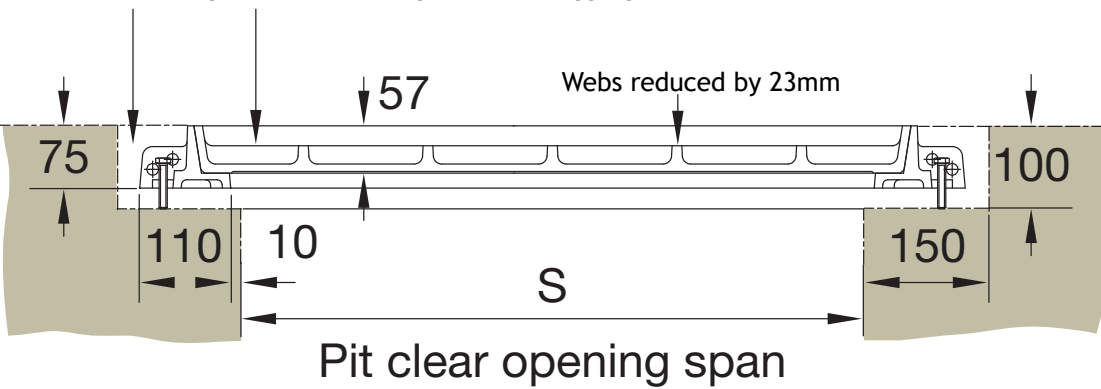
Type DLF

Cover & rebates to be filled with 45 cube or 40 cylinder concrete during installation using 100 coard aggregate



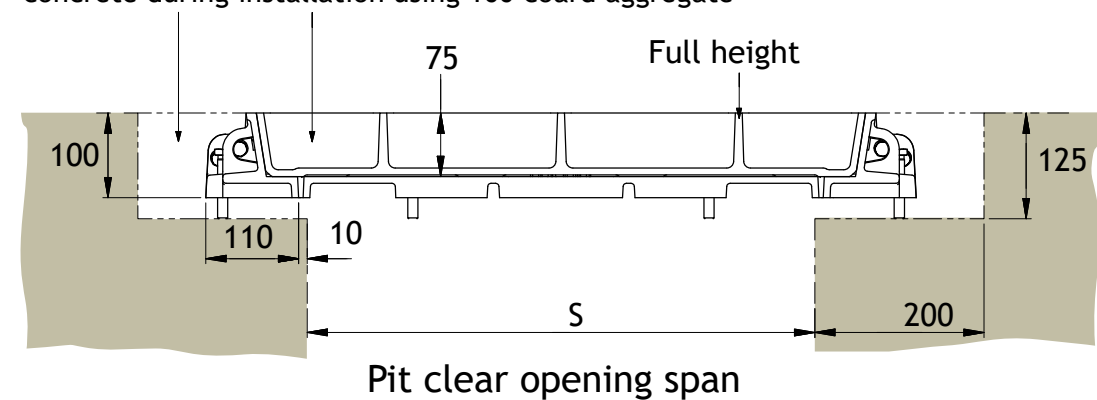
Type DM / DM/F

Cover & rebates to be filled with 45 cube or 40 cylinder concrete during installation using 100 coard aggregate

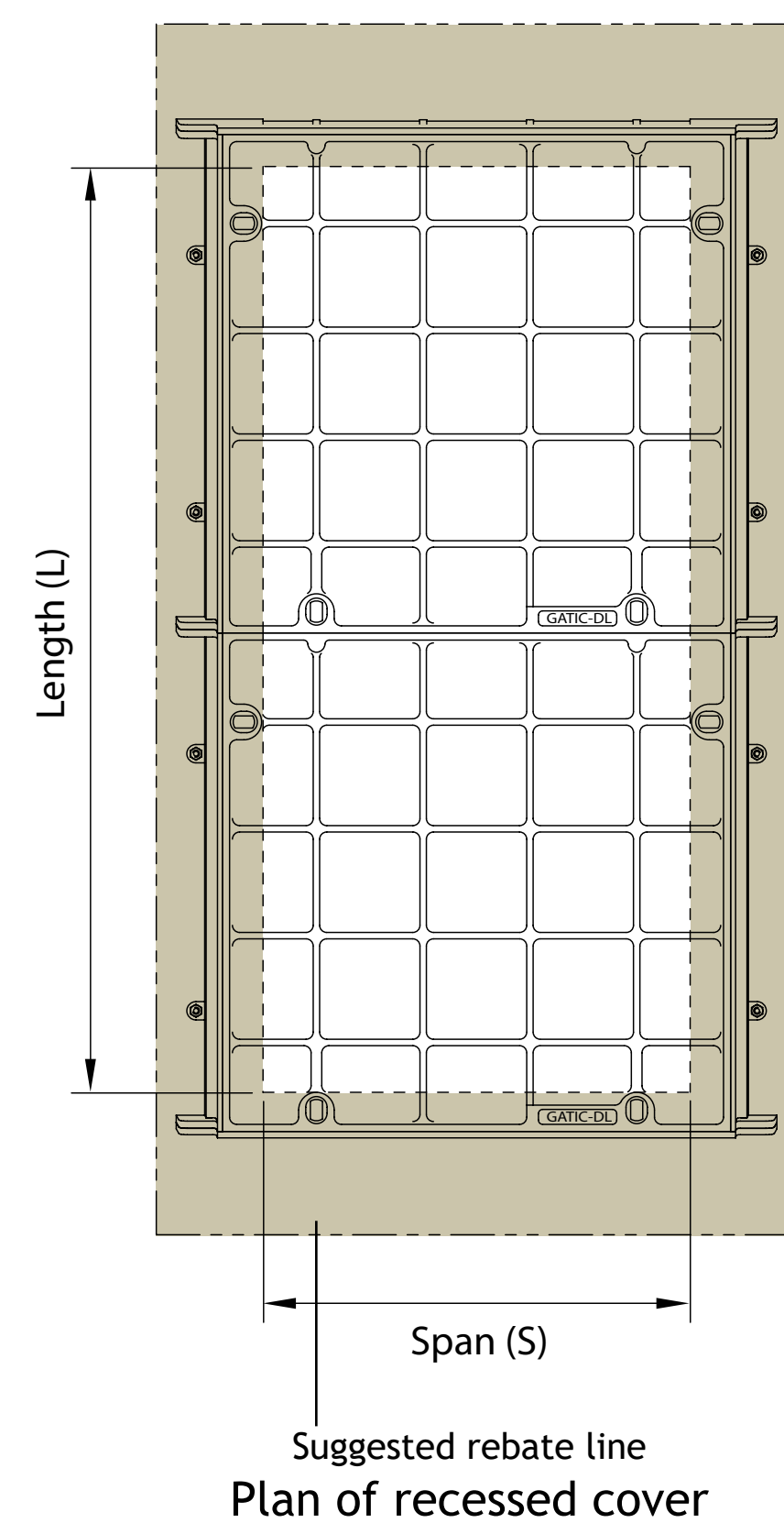


Type DL

Cover & rebates to be filled with 45 cube or 40 cylinder concrete during installation using 100 coard aggregate



Type RRF



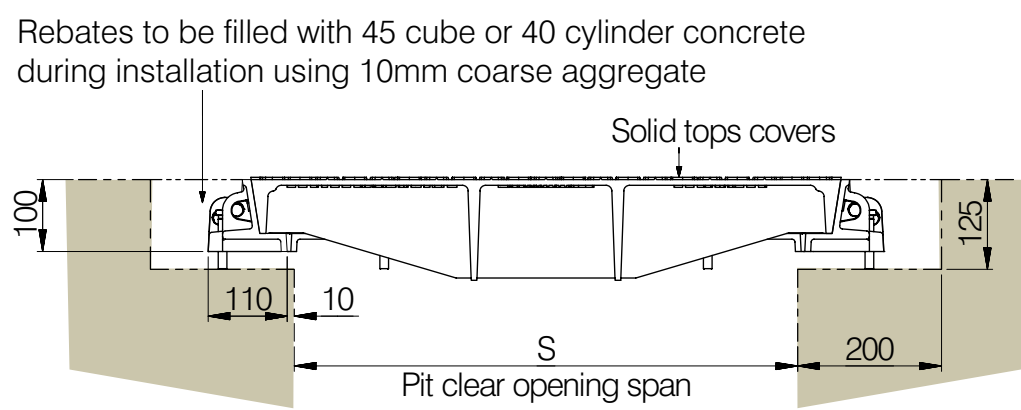
Duct Solid Top Covers and Frames



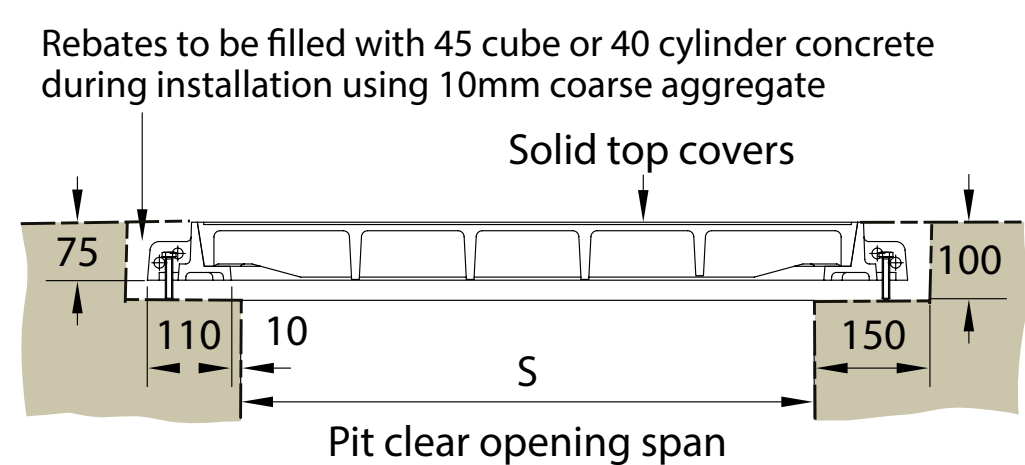
Pit clear opening span (S)	Cover type	Suggested rebate size length x width x depth	Standard pit clear opening length (L)											
			1300	1450	1600	1750	1900	2000	2150	2300	2450	2600	2700	2750
600	DLS	(L + 300) x 900 x 100	2	2	2	2	2	3	3	3	3	3	4	3
750	DLS	(L + 300) x 1050 x 100	2	2	2	2	2	3	3	3	3	3	4	3
900	DLS	(L + 300) x 1200 x 100	2	2	2	2	2	3	3	3	3	3	4	3
1200	RSD	(L + 400) x 1600 x 125	2	2	2	*	*	3	3	3	3	*	4	*

Pit clear opening span (S)	Cover type	Suggested rebate size length x width x depth	Standard pit clear opening length (L)											
			2850	2900	3000	3150	3300	3400	3550	3700	3850	3900	4000	4150
600	DLS	(L + 300) x 900 x 100	4	3	4	4	4	5	5	5	5	4	5	5
750	DLS	(L + 300) x 1050 x 100	4	3	4	4	4	5	5	5	5	4	5	5
900	DLS	(L + 300) x 1200 x 100	4	3	4	4	4	5	5	5	5	4	5	5
1200	RSD	(L + 400) x 1600 x 125	4	*	4	4	4	5	5	5	5	*	5	5

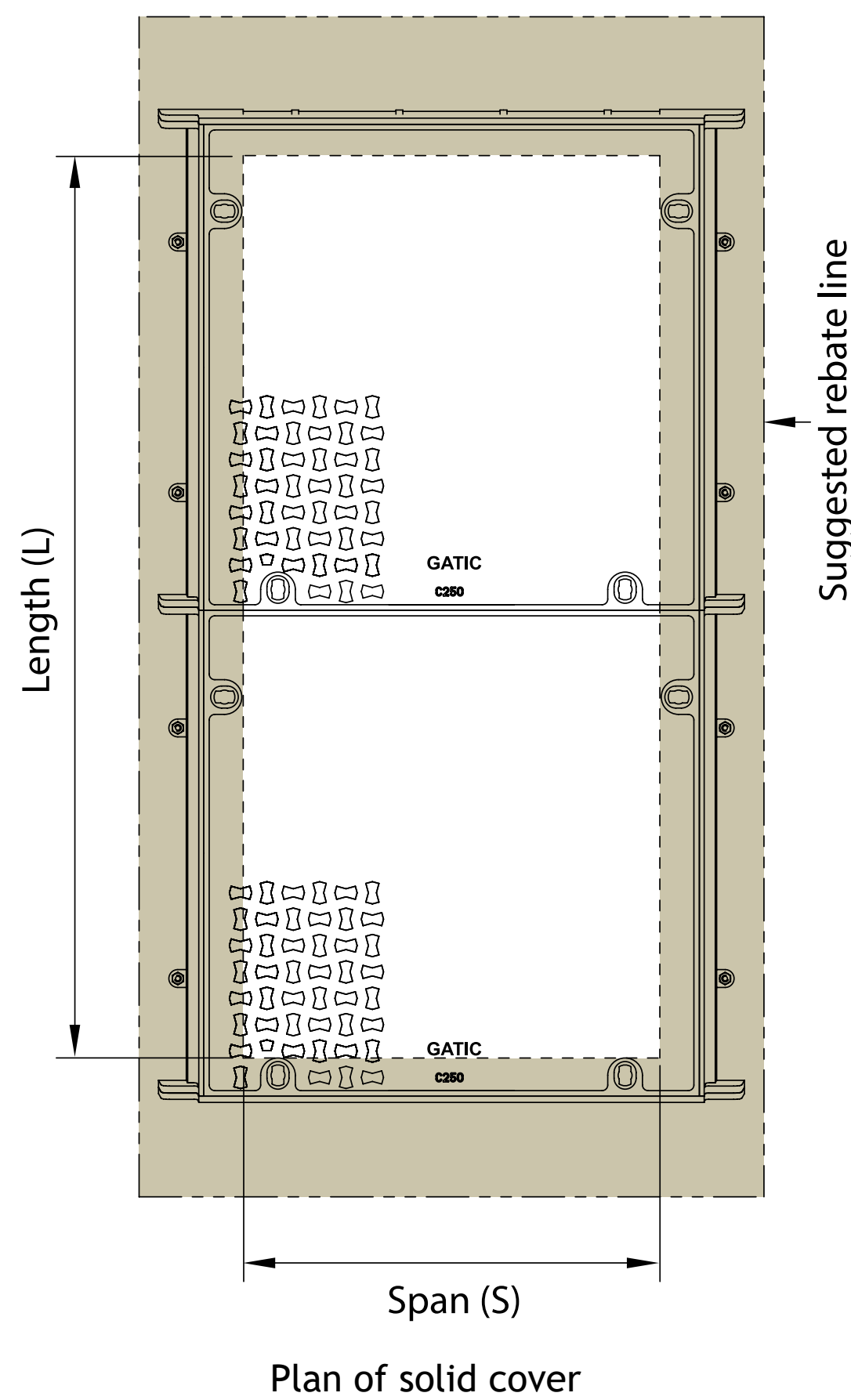
Technical Diagrams



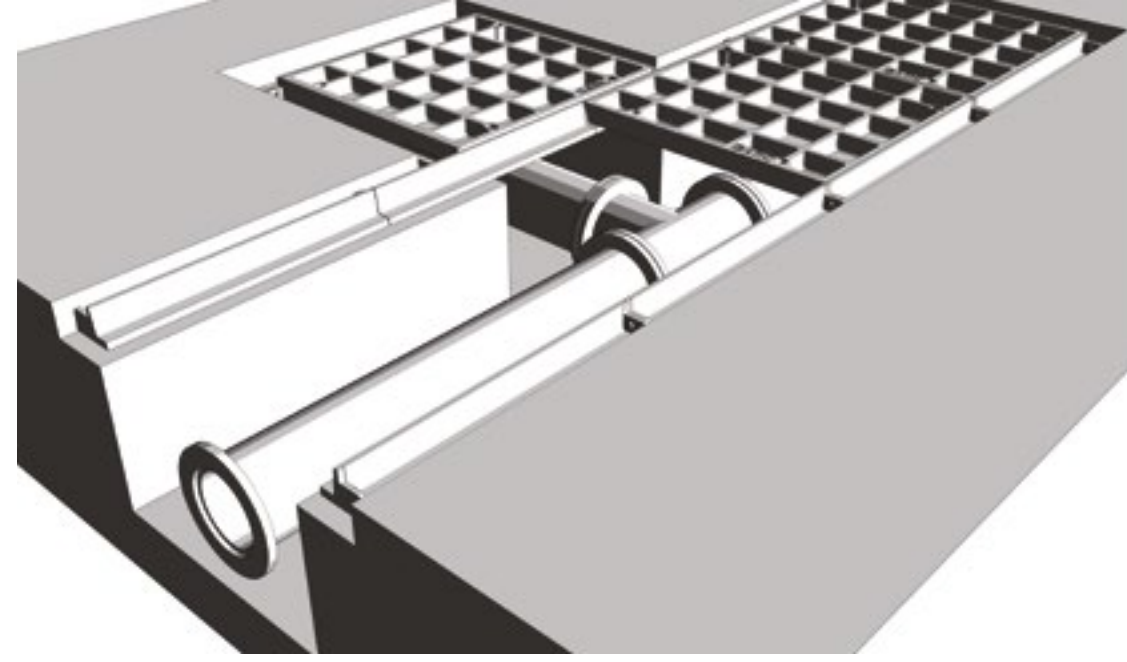
Type RSD



Type DLS



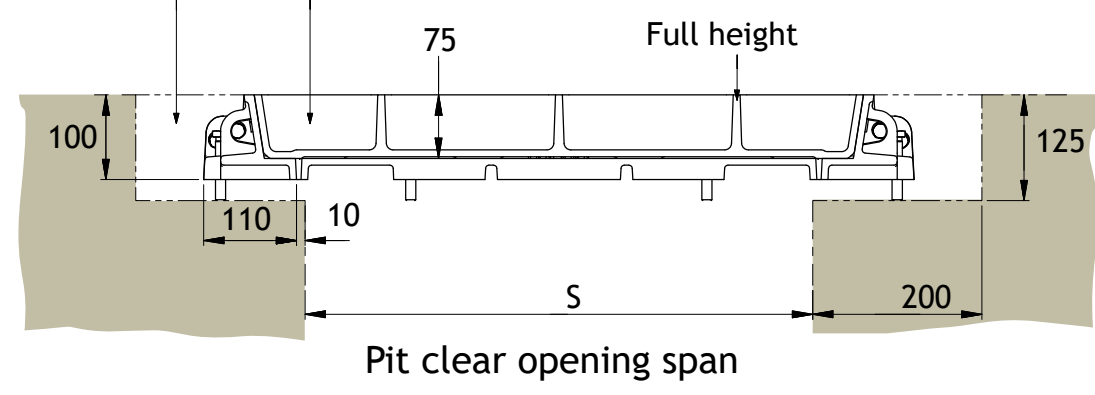
Continuous Recessed Trench Covers and



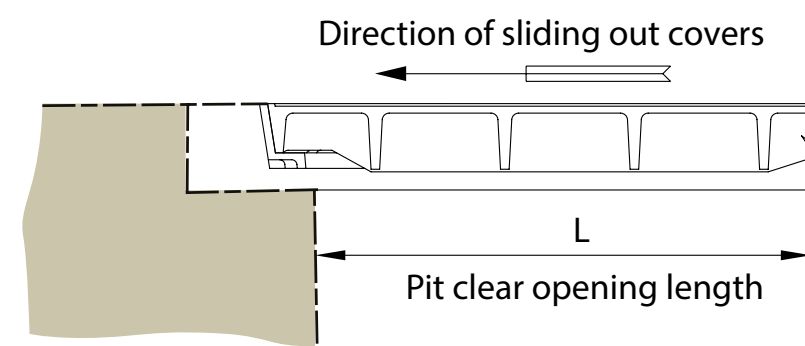
Pit clear opening span	Cover type
300	DLF
450	RRF
600	DLF
750	DLF
900	DLF
1050	RRD
1200	RRD
1500	DM/F

Technical Diagrams

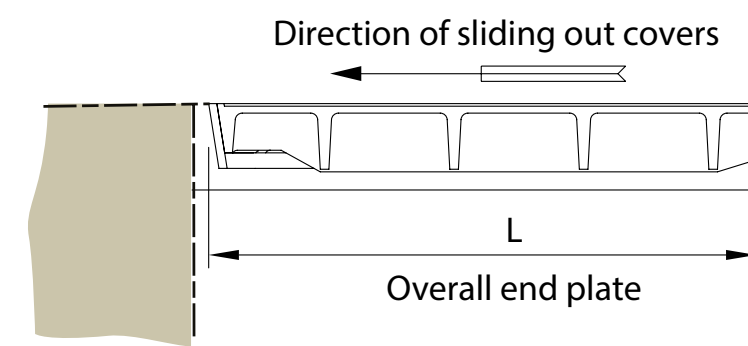
Cover & rebates to be filled with 45 cube or 40 cylinder concrete during installation using 100 coard aggregate



Type RRF

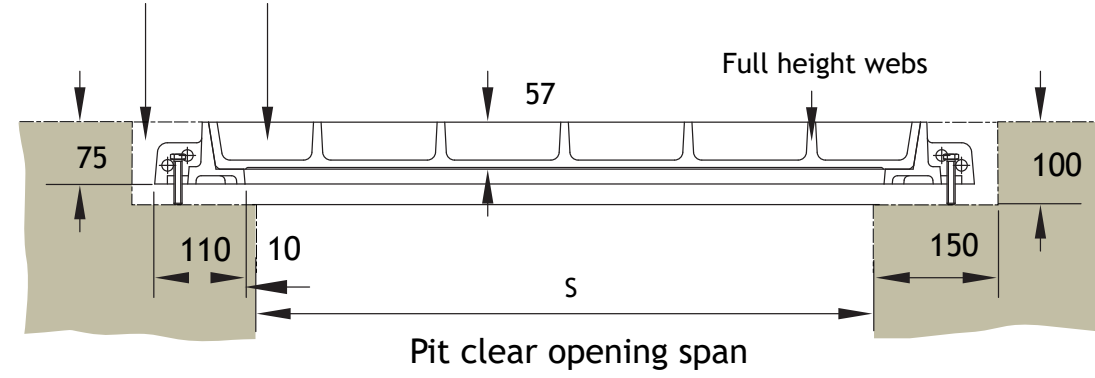


End terminations



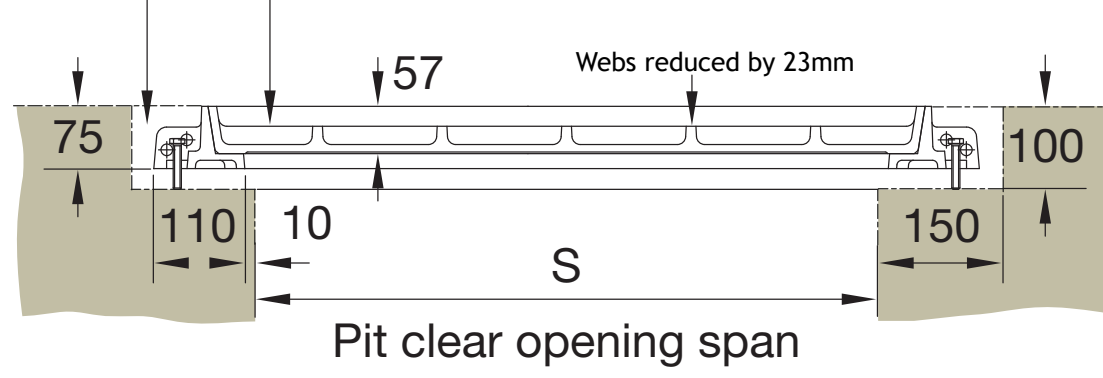
Overall end plate

Cover & rebates to be filled with 45 cube or 40 cylinder concrete during installation using 100 coard aggregate



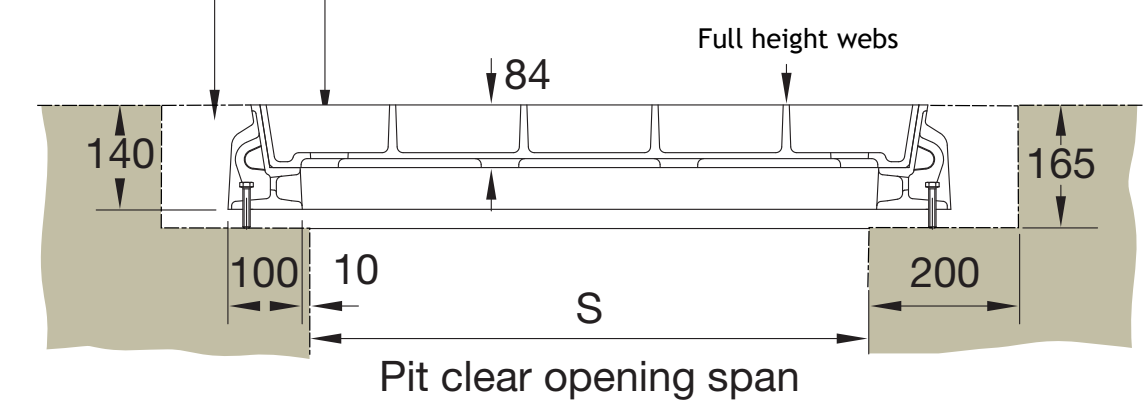
Type DLF

Cover & rebates to be filled with 45 cube or 40 cylinder concrete during installation using 100 coard aggregate



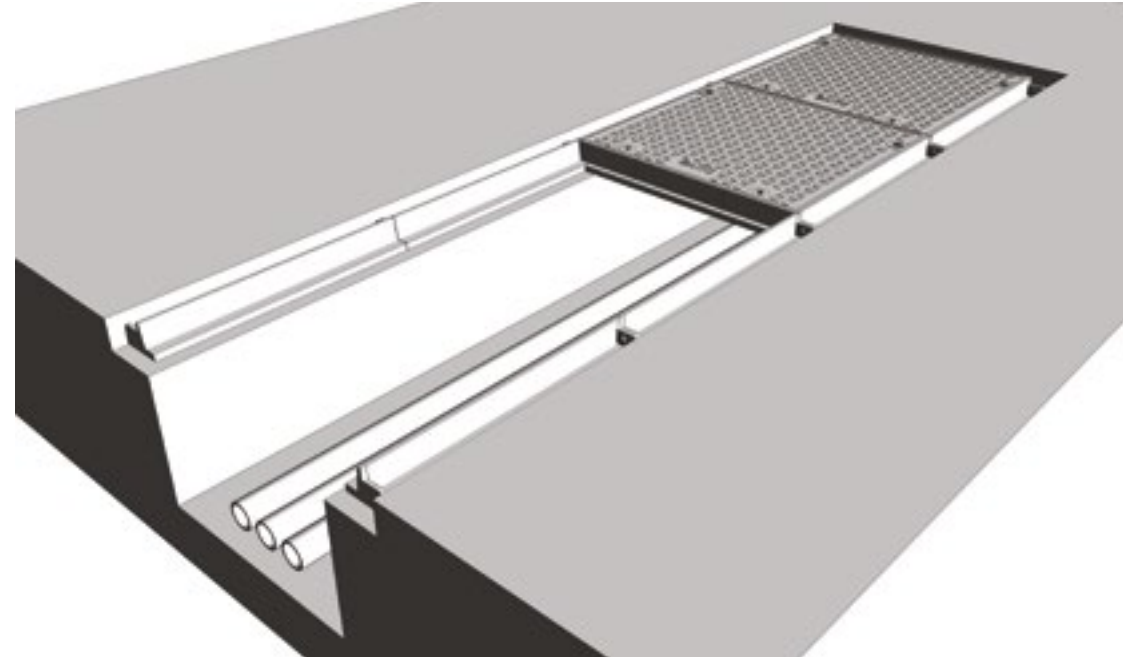
Type DL

Cover & rebates to be filled with 45 cube or 40 cylinder concrete during installation using 100 coard aggregate



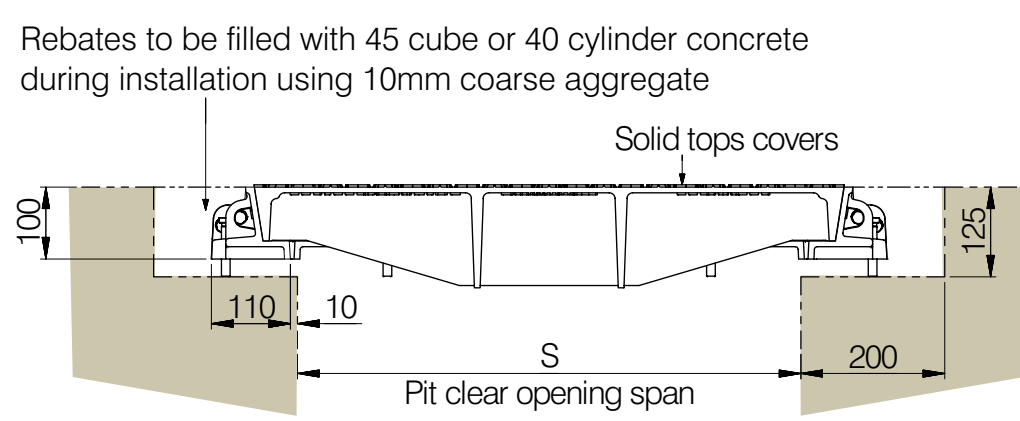
Type DM / DM/F

Continuous Solid Top Trench Covers and Frames

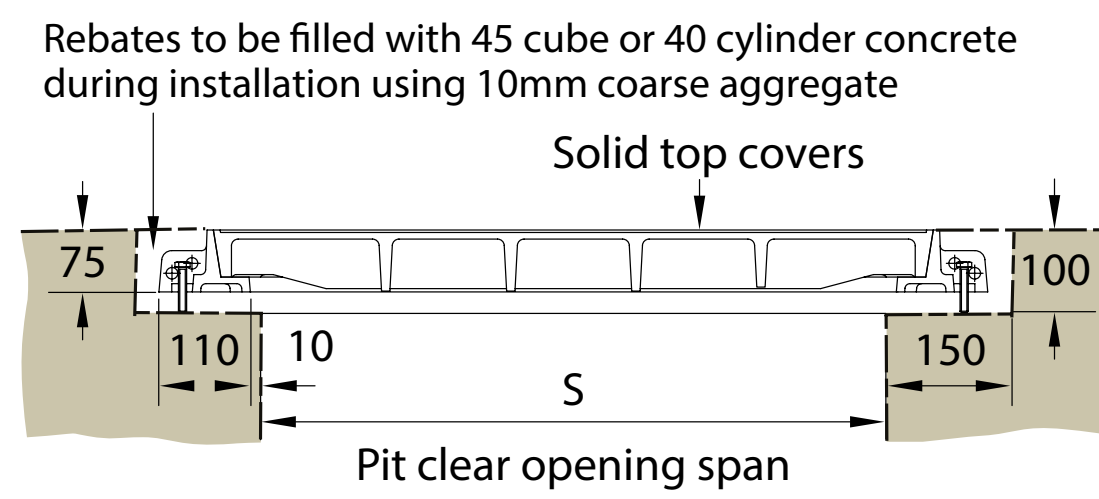


Pit clear opening span	Cover type
600	DLS
750	DLS
900	DLS
1200	RSD

Technical Diagrams



Type RSD



Type DLS

Multispan Covers & Frames



Type DLF recessed

Type DLS solid top

Beam Size

The required beam size for Multispan covers is dependent on the pit clear opening length and the loading group.

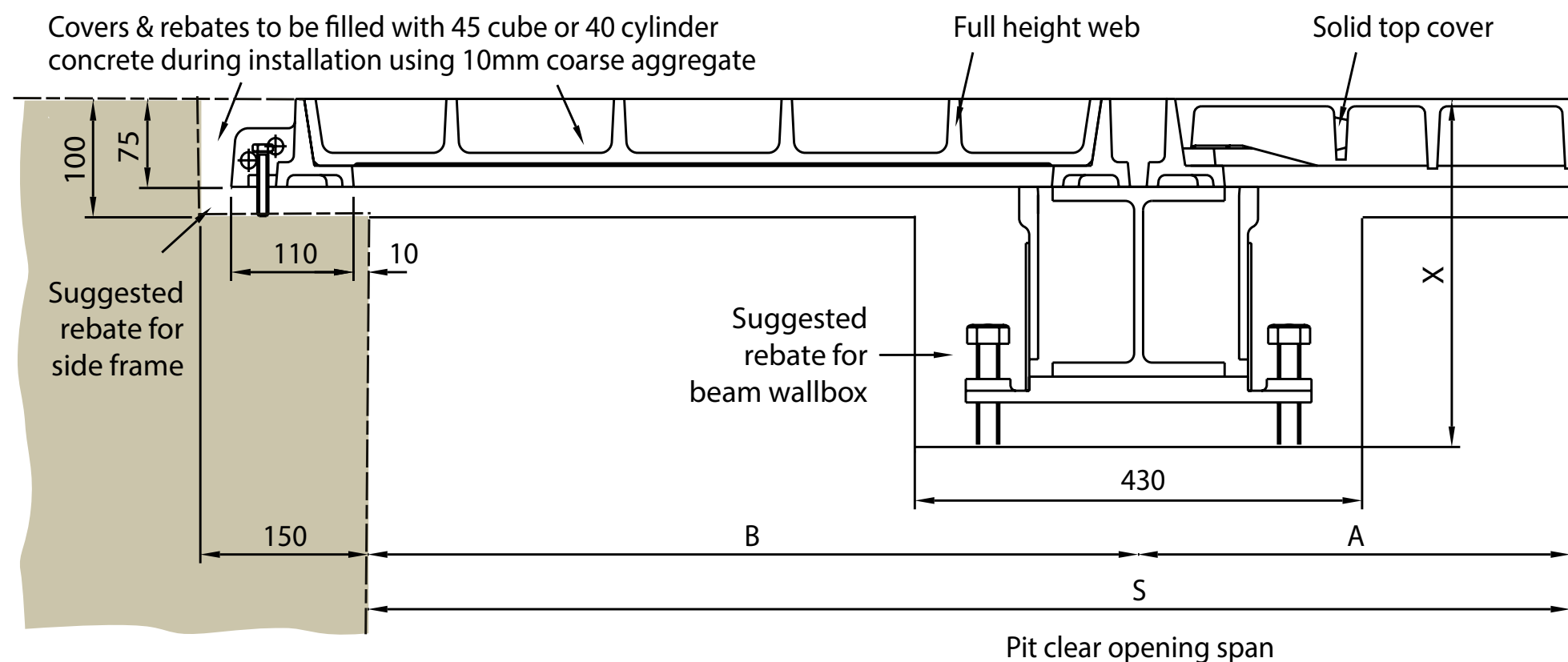
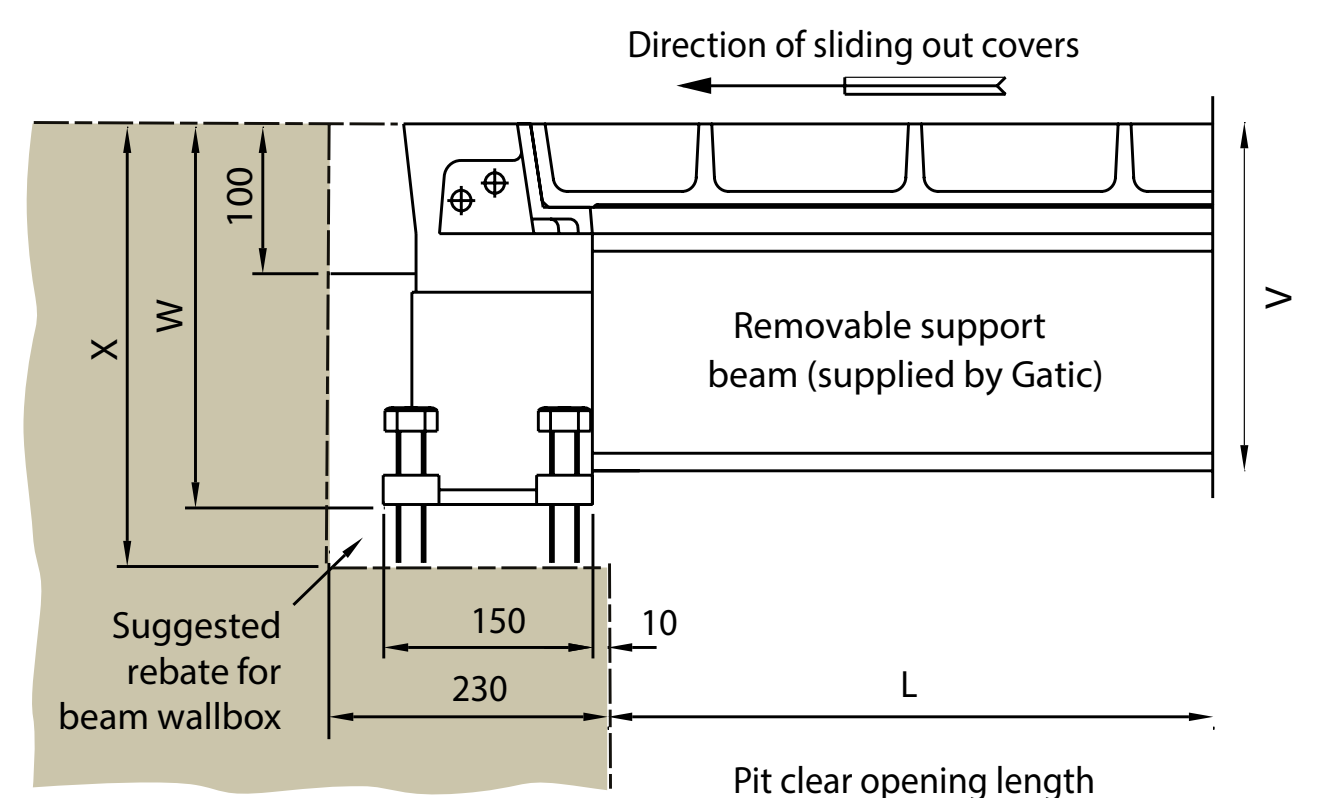
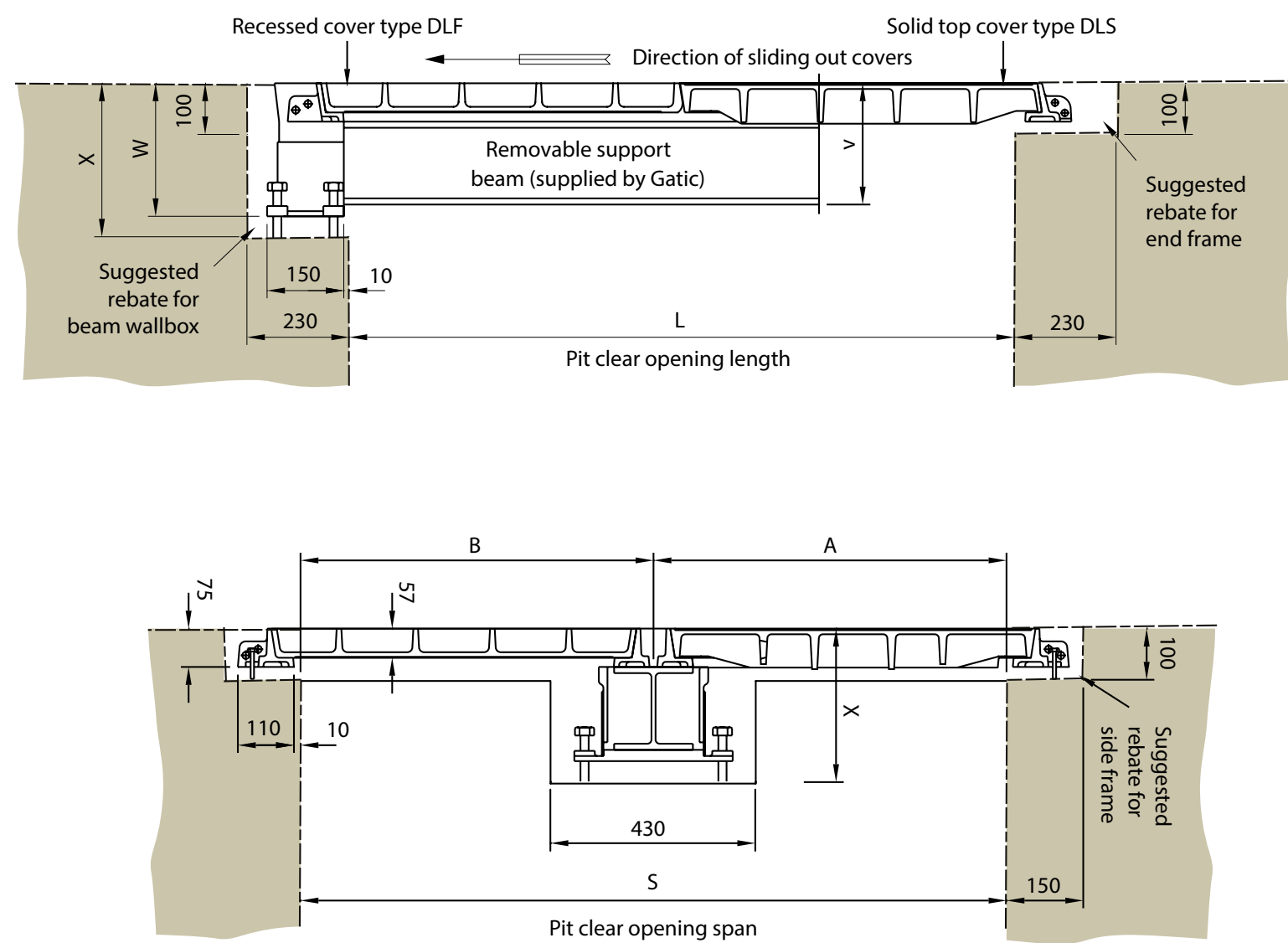
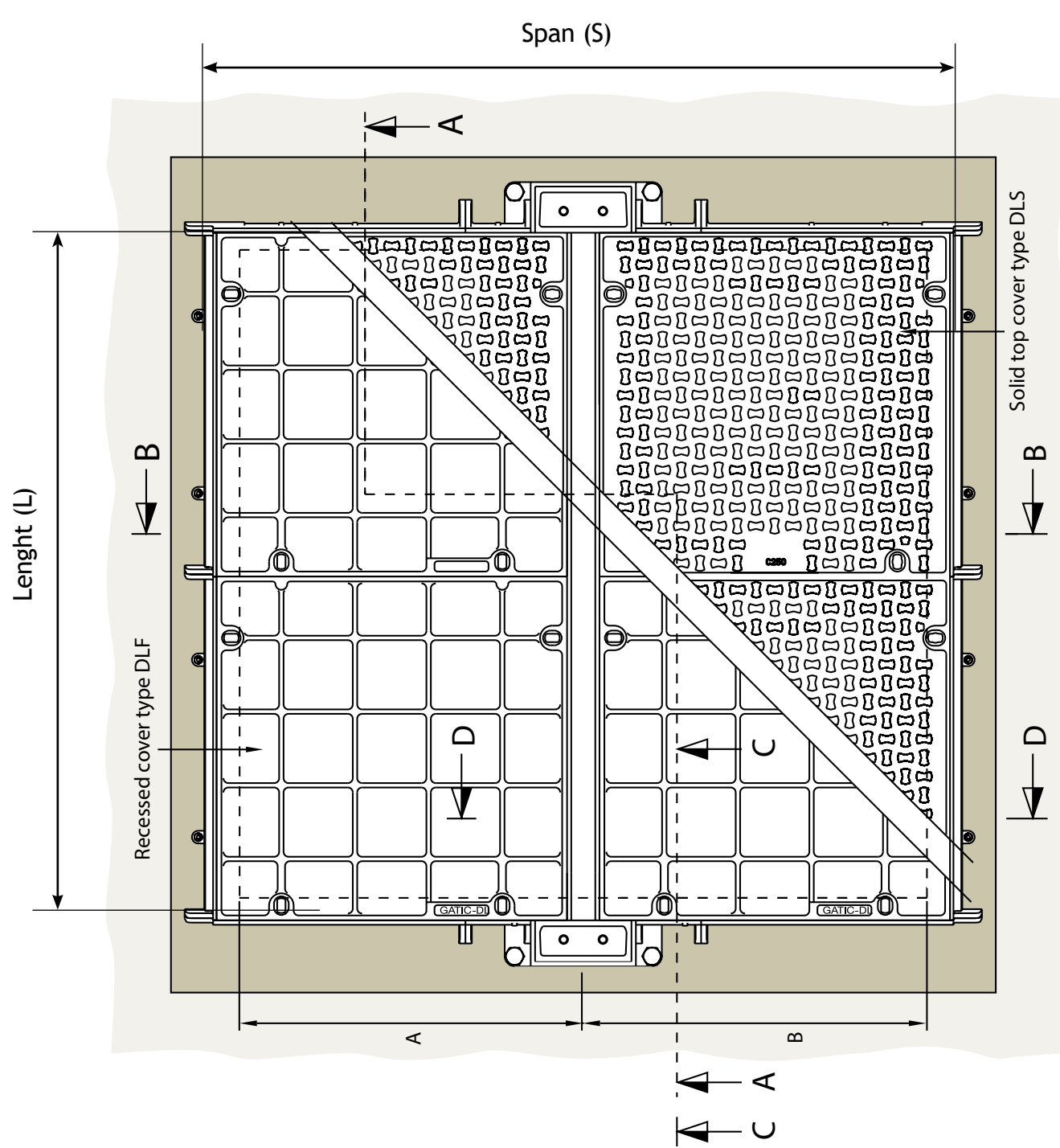
The table shows maximum beam length against beam size. The removable support beams are supplied by Gatic.

The table also indicates dimensions of the beam wallbox and rebate to suit different beam sizes. See also the accompanying section details.

Support beam size chart

Removable support beam size	Max pit clear opening length (L)	Beam wallbox dimensions			
		V	W	X	Y
152 x 152 x 37 kg/m U.C	2750	237	259	300	230
203 x 203 x 52 kg/m U.C.	3900	281	303	345	230

Note: Removable support beams are supplied by Gatic



Lifting keys for covers and frames

Long handled lifting keys - not for use with mechanical or crane lifting

Method of removing Gatic covers using manual lifting keys.

Consult technical department for full details.



Mechanical lifting keys

Mechanical lifting keys are designed and tested for use with crane and other mechanical devices.

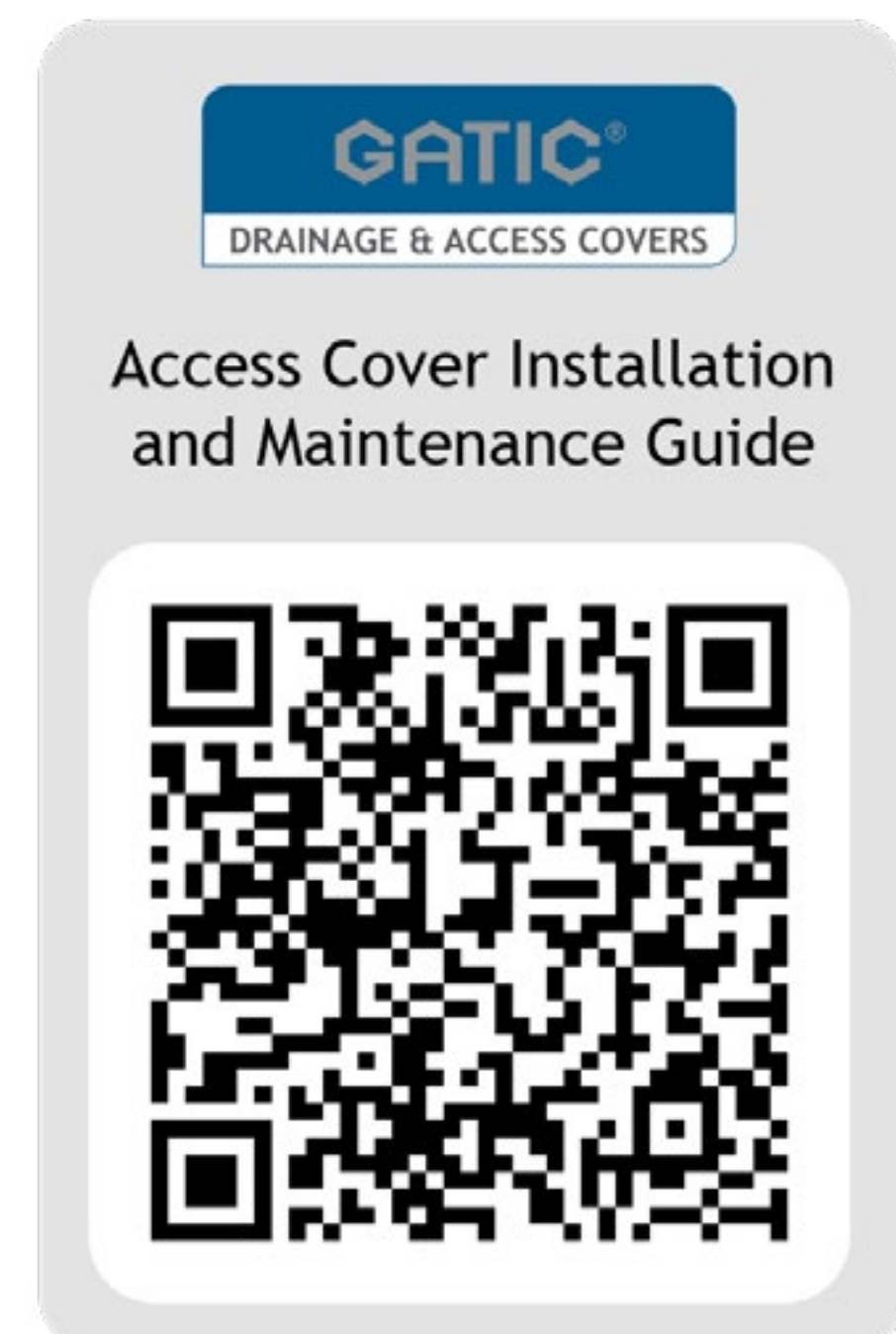
Consult technical department for full details.



Installation and Maintenance Guide - How to use Lifting Keys

Please refer to our 'Access Cover Installation and Maintenance Guide' for detailed instructions on how to use lifting keys.

[Click Here for the Access Cover Installation and Maintenance Guide](#)





Gas Air Tight Inspection Covers

Gatic
Third Avenue
Halstead
Essex
CO9 2SX
+44 (0) 1787 475 151
gatictech@alumascwms.co.uk



All reasonable care has been taken in the preparation of this brochure, all information, recommendation and guidance notes on the use of The Products are made without guarantee since the conditions of use are beyond the control of Alumasc Building Products Limited (The company). The customer is responsible for ensuring that each product is fit for its intended purpose and that conditions are suitable. The information contained in this brochure and advice arising there from is free of charge and accordingly on the terms that no liability nor liability for negligence will be attached to The Company or its servants in relation to any such service arising out of or in connection with this brochure. The Company pursues a policy of constant product development and information contained in this publication is therefore subject to change without notice.